

Description

The fan-assist pedestal is an accessory that provides the necessary air circulation required for alternate placement of Follett REF1/REF2 countertop refrigerators.



CAUTION!

To ensure proper operation, this installation requires a minimum of 2" air clearance above refrigerator to supply cool air to both the condenser and pedestal fans.

Materials Required

- (1) 4.5" pedestal with fan (P/N 00984484 with P/N 00940460), assembled and wired
- (4) rubber footpads (P/N 00900134)
- (4) screws, hex head, 5/16-18 X 1/2 LG (P/N 200455)
- (2) wire nuts, orange (P/N 200444)

Installation

If you experience any problems during the installation process, please call Follett Technical Service toll-free at (877) 612-5086 or +1 (610) 252-7301 for assistance.

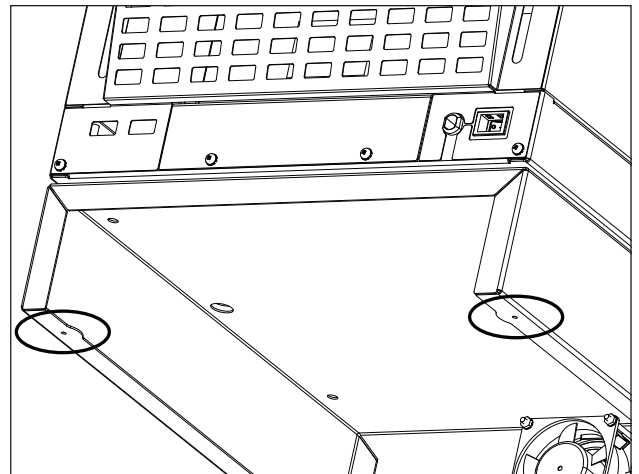


WARNING!

To avoid risk of electric shock, always disconnect power before servicing or installing equipment.

1. If not already installed, remove the foot pads (4) from the plastic bag packed with the pedestal.
2. Position the foot pad over the foot pad hole and press the center of the foot pad until it is fully seated. The foot pads extend 1/8" (3.2 mm) below pedestal bottom flange (**Fig. 1**).
3. Verify wires connected to pedestal fan terminals are secure.

Fig. 1



Installation (continued)

4. Turn off and unplug refrigerator.
5. Remove (4) footpads from bottom of refrigerator. Carefully tip refrigerator to access each footpad and pry out footpad with a flat blade screwdriver or pliers (**Fig. 2**).



CAUTION!

Use caution when tipping the refrigerator. **DO NOT EXCEED 30° angle.** Tipping more than 30° can result in compressor malfunction.

6. Set refrigerator on pedestal; the pedestal fan and refrigerator door must face the same direction.
7. Align base of refrigerator and pedestal.
8. Install four 5/16-18 x 1/2" screws up through pedestal base and into shipping tie-down nuts in base of refrigerator (**Fig. 3**). Tighten all four screws.

Fig. 2

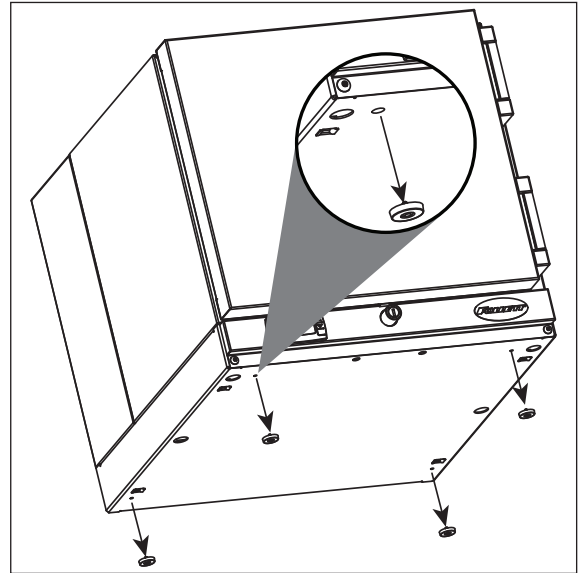
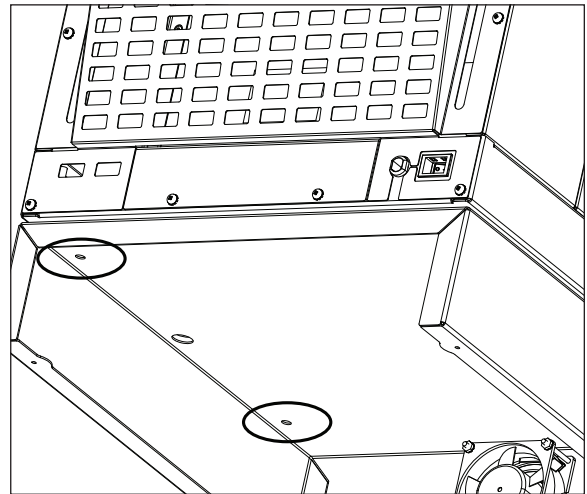


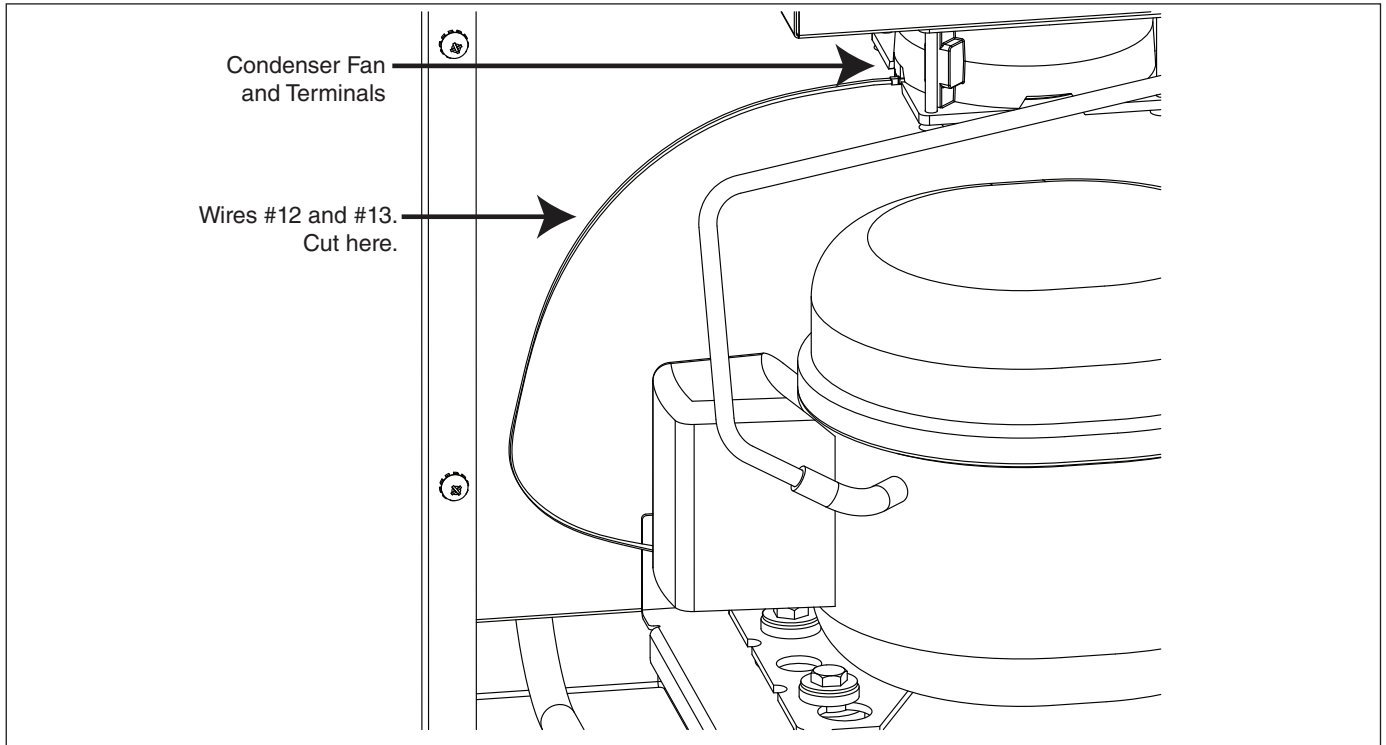
Fig. 3



Installation (continued)

9. Remove rear bottom panel from refrigerator (attached by six #10-32 phillips head screws, three per side).
10. Locate #12 and #13 wires attached to condenser fan (on left when viewing compressor). **Do not disconnect wires from condenser fan terminals.**
11. Cut both #12 and #13 wires about 6" from connection at condenser fan (**Fig. 4**).

Fig. 4



12. Strip 1/2" insulation from ends of all four wires.
13. Strip 1/2" insulation from ends of pedestal fan wires.
14. Route the sleeved pedestal fan wires up through the 3/4" diameter hole aligned through the pedestal and refrigerator.
15. Join one pedestal fan wire to the cut pair of #12 wires. Twist these three wires together and secure with the supplied wire nut (in plastic bag packed with pedestal). Tighten wire nut.
16. Join remaining pedestal fan wire to the cut pair of #13 wires. Twist these three wires together and secure with the supplied wire nut. Tighten wire nut.
17. Verify wires remain connected securely to condenser fan terminals.
18. Reinstall rear bottom refrigerator panel, ensuring that pedestal fan wires are not pinched at a sharp edge. Tighten screws.
19. Plug in refrigerator and turn on. Pedestal fan will operate when compressor runs.

Follett is a registered trademark of Follett Corporation, registered in US.



801 Church Lane • Easton, PA 18040, USA
Toll free (877) 612-5086 • +1 (610) 252-7301
www.follettice.com



00999318R00
10/12