

Before you begin

After uncrating and removing all packing material, inspect the equipment for concealed shipping damage. If damage is found, notify the shipper immediately and contact Follett LLC so that we can help in the filing of a claim, if necessary.

If you experience any problems during the installation, please call Follett Technical Service toll-free at (877) 612-5086 for assistance.

Cleaning and Sanitizing

Follett ice machines and dispensers, and their associated cleaning and sanitizing procedures, are designed for use with potable water sources. The presence, or suspected presence, of infectious agents may call for additional measures, including the replacement of components and more comprehensive disinfection measures. Follett recommends that these cleaning and sanitizing procedures be reviewed with the appropriate infectious agent subject matter experts to assure complete remediation.

Follett recommends sanitizing the pressurized water lines prior to cleaning the ice machine/dispenser. Follett offers two kits: order P/N 01089572 when a Follett filter system with a pre-filter bowl is present, or P/N 01089580 when a Follett filter system is not present. Follow the instructions provided with the respective kits to sanitize the pressurized water lines immediately before cleaning the ice machine/dispenser.

Materials supplied

- 0.2 micron sterilizing-grade water filter capsule
- 1 micron absolute pre-filter media cartridge
- Flexible supply line from pre-filter to 0.2 micron filter quick disconnect
- Quick disconnect for filter out with 3/8" NPT female connection
- Pre-filter media cartridge

Tools/materials required

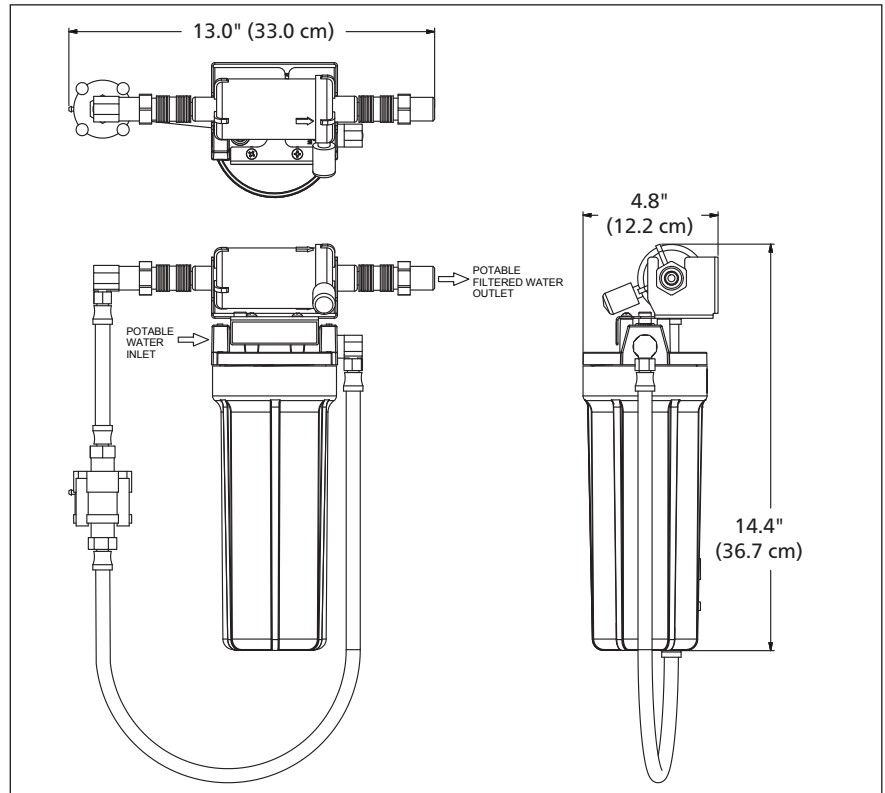
- Screw driver/cordless drill
- Safety glasses and protective gloves
- Mounting hardware (refer to local building code)
- 1/2" MPT fitting, connect to pre-filter inlet
- 1/2" FPT fitting, connect to primary filter outlet

Dimensions

- Width: 13.0" (33.0 cm)
- Depth: 4.8" (12.2 cm)
- Overall height: 14.4" (36.7 cm)

Note: Allow an additional 3" below to allow for easy filter replacement.

Fig. 1



Procedure

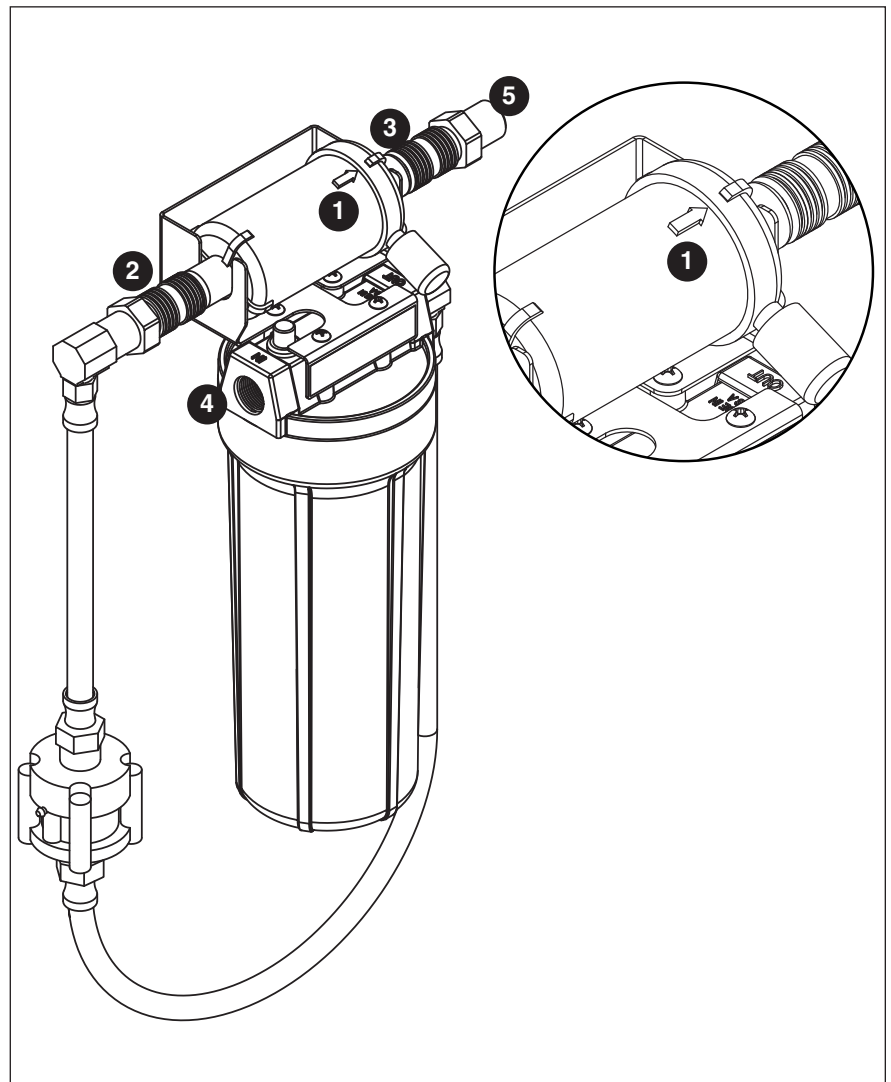
Note: Incoming water pressure must be 30–70 psi.

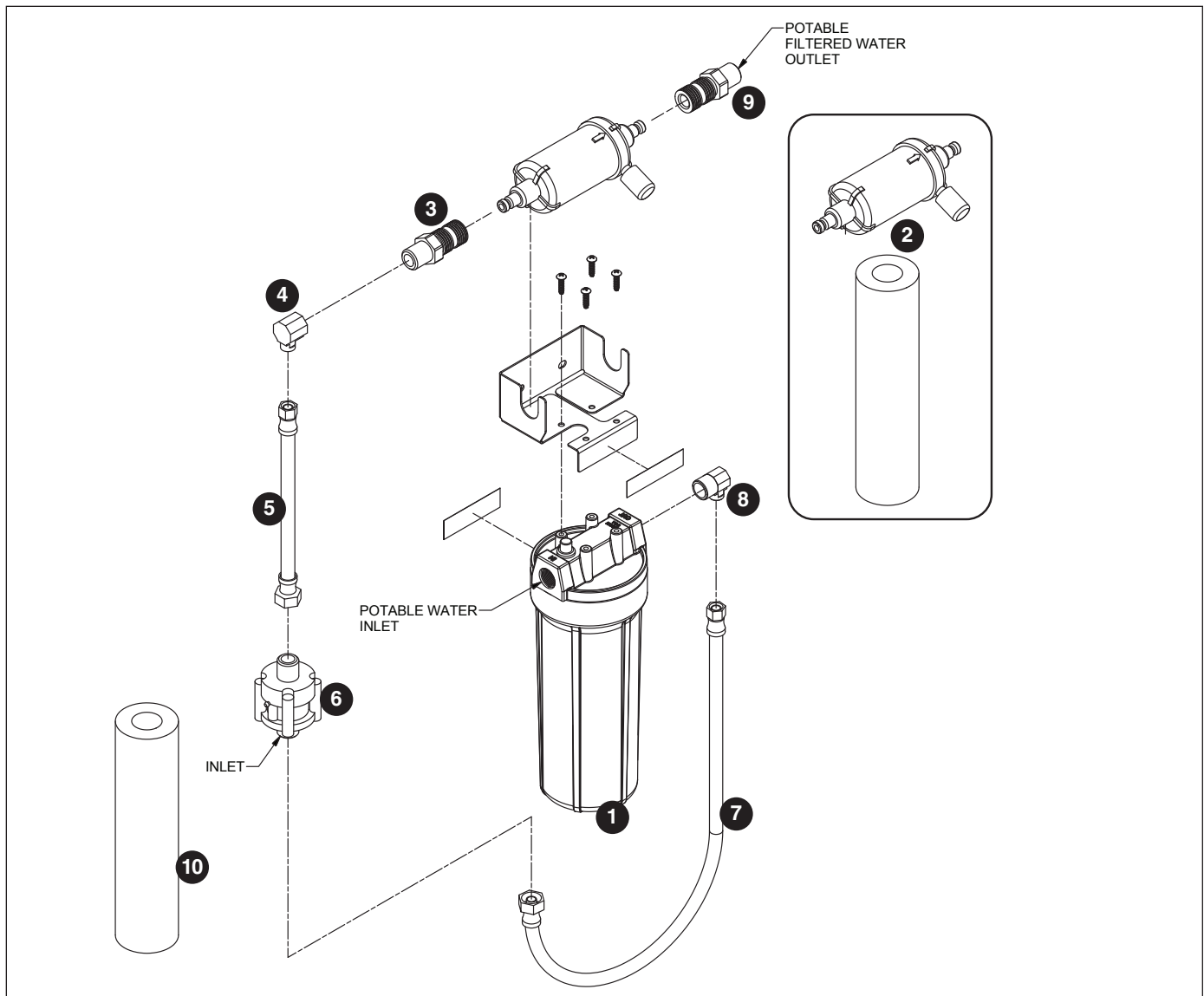
1. Install pre-filter (not pictured) into 10" pre-filter bowl.
2. Position bracket (with pre-filter) in desired location (allow 3" bottom clearance for ease of filter replacement).
3. Level bracket and mark hole locations.
4. Remove bracket, drill holes, then install bracket using appropriate anchors for your application.
5. Place primary Pall 0.2 micron filter in mounting bracket ensuring arrow (**Fig. 2.1**) is pointing away from the pressure regulator.
6. Attach quick connect coupling with braided hose to inlet (non-arrow) side of the 0.2 micron filter (**Fig. 2.2**).

- Pull back on coupling lock ring, insert onto filter inlet stub, and release locking ring
- Give gentle tug to ensure proper connection

7. Connect additional quick connect coupling to outlet side of filter (**Fig. 2.3**).
8. Connect water supply to pre-filter inlet using a ½" MPT fitting (**Fig. 2.4**) (not supplied).
9. Connect ½" FPT fitting (not supplied) to quick connect (**Fig. 2.5**).
10. Using approved potable water tubing supply water to IM/Dispenser.

Fig. 2





Reference	Description	Part #
1	Prefilter housing with bracket	01245364
2	Replacement filter kit (includes pre-filter and primary filter)	01244615
3	Quick connect coupling	01245372
4	Elbow, FPT	01245380
5	9" Braided hose	01245398
6	Water regulator	01245406
7	20" braided hose	01245414
8	Elbow, 1/2 MPT	01245422
9	Fitting, 1/2" FNPT X 3/8 COMP	01207539
10	Replacement pre-filter only	01233717
Not shown	Pre filter Bowl O-Ring	01252428

Follett is a registered trademark of Follett LLC, registered in US.