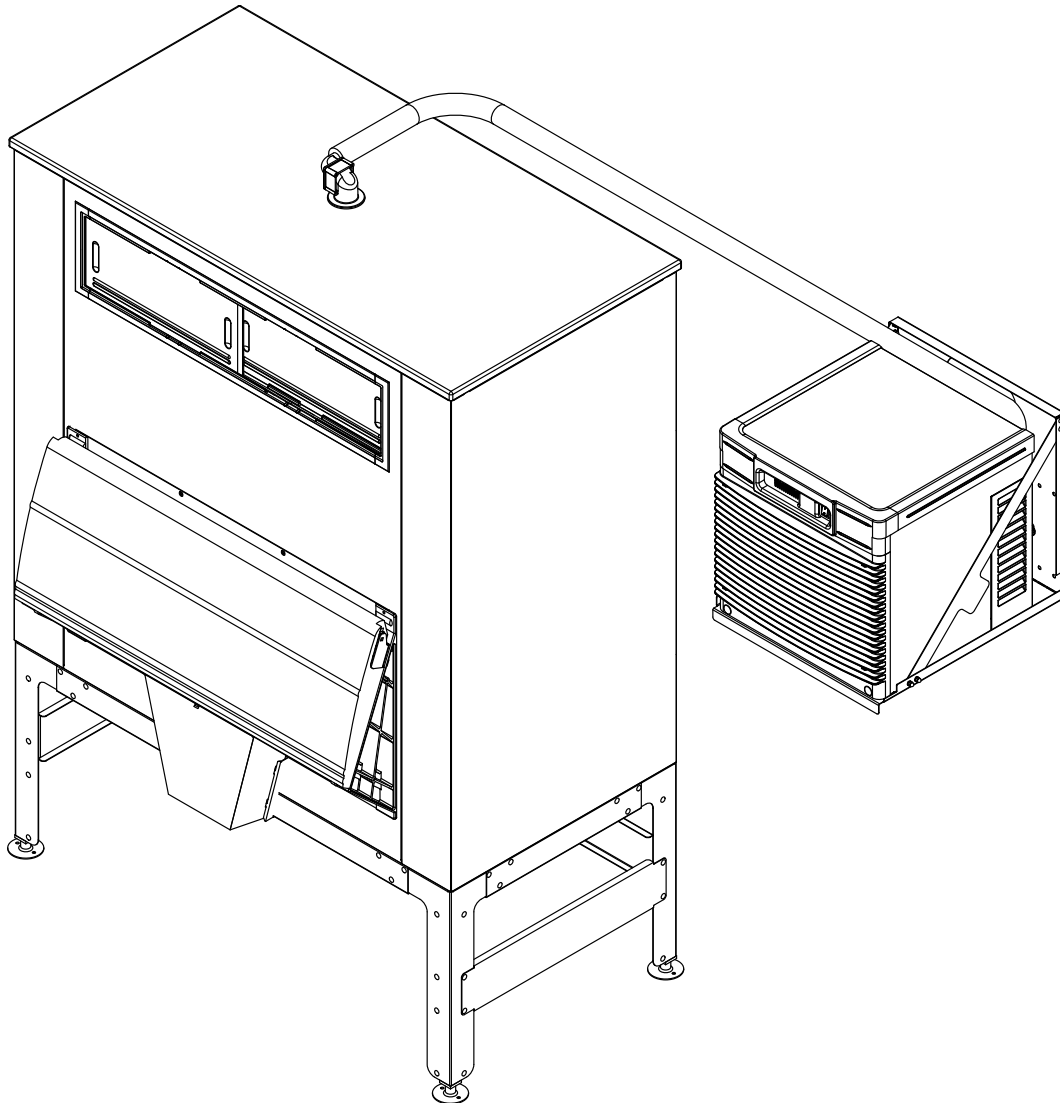
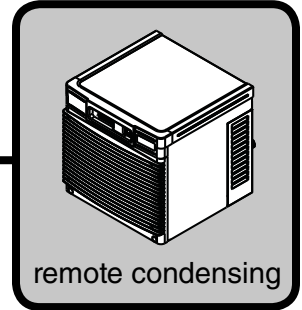


# Horizon™ Ice Machine Models with RIDE® Technology Installation Instructions for Ice Storage Bins

HCD/HMD700RBS  
HCD/HMD700NBS

(See model number configurator on page 2 for details.)

Order parts online  
[www.follettice.com](http://www.follettice.com)




### Chewblet® Ice Machine Model Number Configurations

HC
C
700
A
V
S


Machine	Voltage	Series	Condenser	Application	Configuration
MC Maestro™ Chewblet (400 Series)	C 208-230/60/1 (icemaking head) <i>Self-contained only.</i>	400 up to 454 lbs (206kg)	A Air-cooled, self-contained	V Vision™	S RIDE®
HC Horizon Chewblet (1000, 1400, 1650 Series)	D 115/60/1 (icemaking head) <i>Self-contained and remote. If remote unit, high side is 208-230/60/1.</i>	700 up to 750 lbs (340kg)	W Water-cooled, self-contained	H Harmony™	(RIDE remote ice delivery equipment)
HM Horizon Micro Chewblet	E 230/50/1 (icemaking head) <i>Self-contained only.</i>	1000 up to 1036 lbs (471kg)	R Air-cooled, remote condensing unit	B Ice storage bin	T Top-mount
	F 115/60/1 (icemaking head) <i>Remote only. High side is 208-230/60/3.</i>	1400 up to 1450 lbs (658kg)	N Air-cooled, no condensing unit for connection to parallel rack system	J Drop-in	
		1650 up to 1580 lbs (717kg)		M Ice Manager™ diverter valve system	

Read and complete the following 8 installation steps

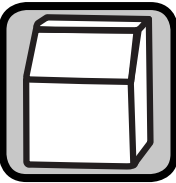
1 **Unpack** \_\_\_\_\_



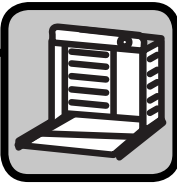
2 **Site preparation** \_\_\_\_\_




3 **Bin preparation** \_\_\_\_\_




4 **Louvered docking assembly** \_\_\_\_\_



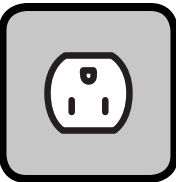
5 **Ice transport tube** \_\_\_\_\_



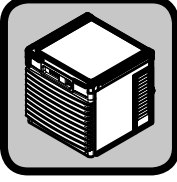
6 **External connection** \_\_\_\_\_



7 **Internal connection** \_\_\_\_\_



8 **Front cover** \_\_\_\_\_



Carefully unpack and inspect the contents of your Follett ice machine.

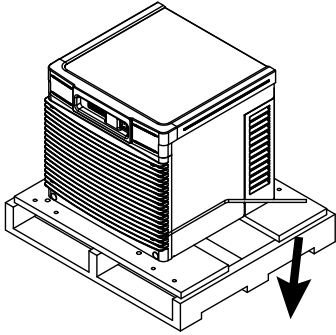
Unpack

1

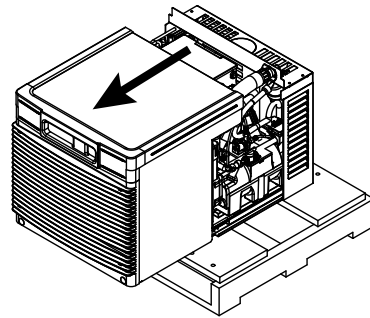


1.1 Unpack ice machine

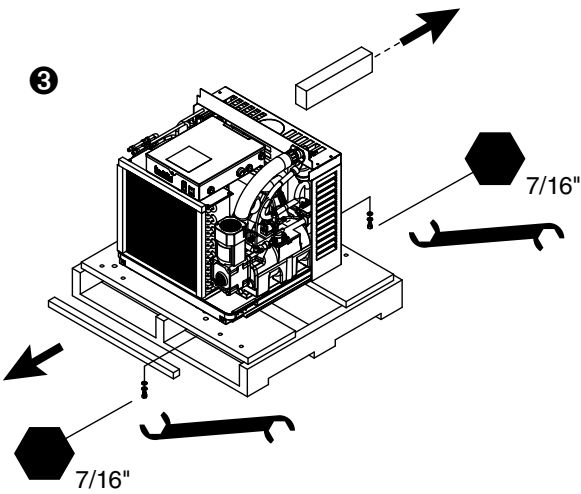
1



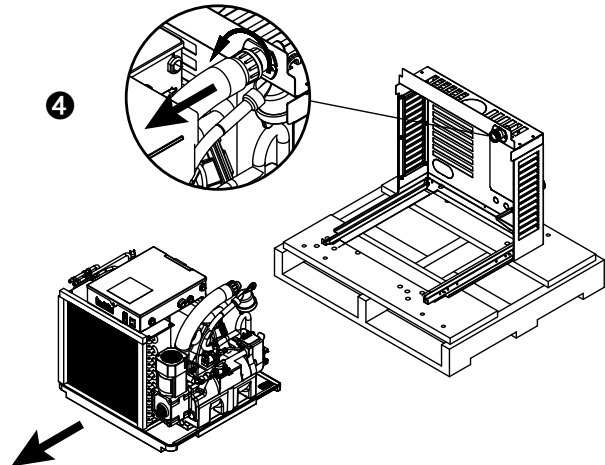
2



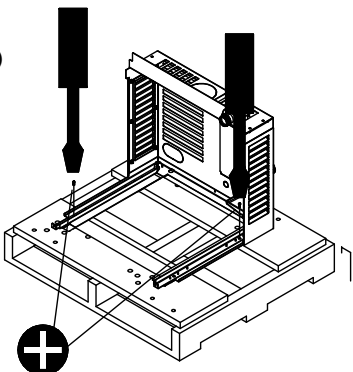
3



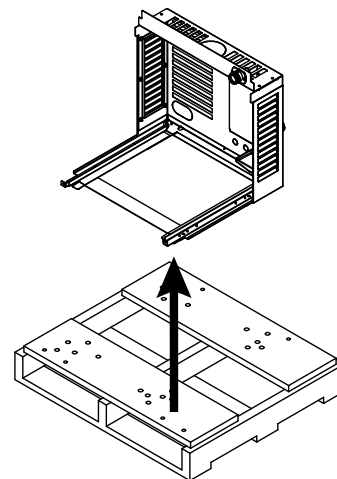
4



5

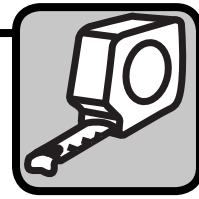


6

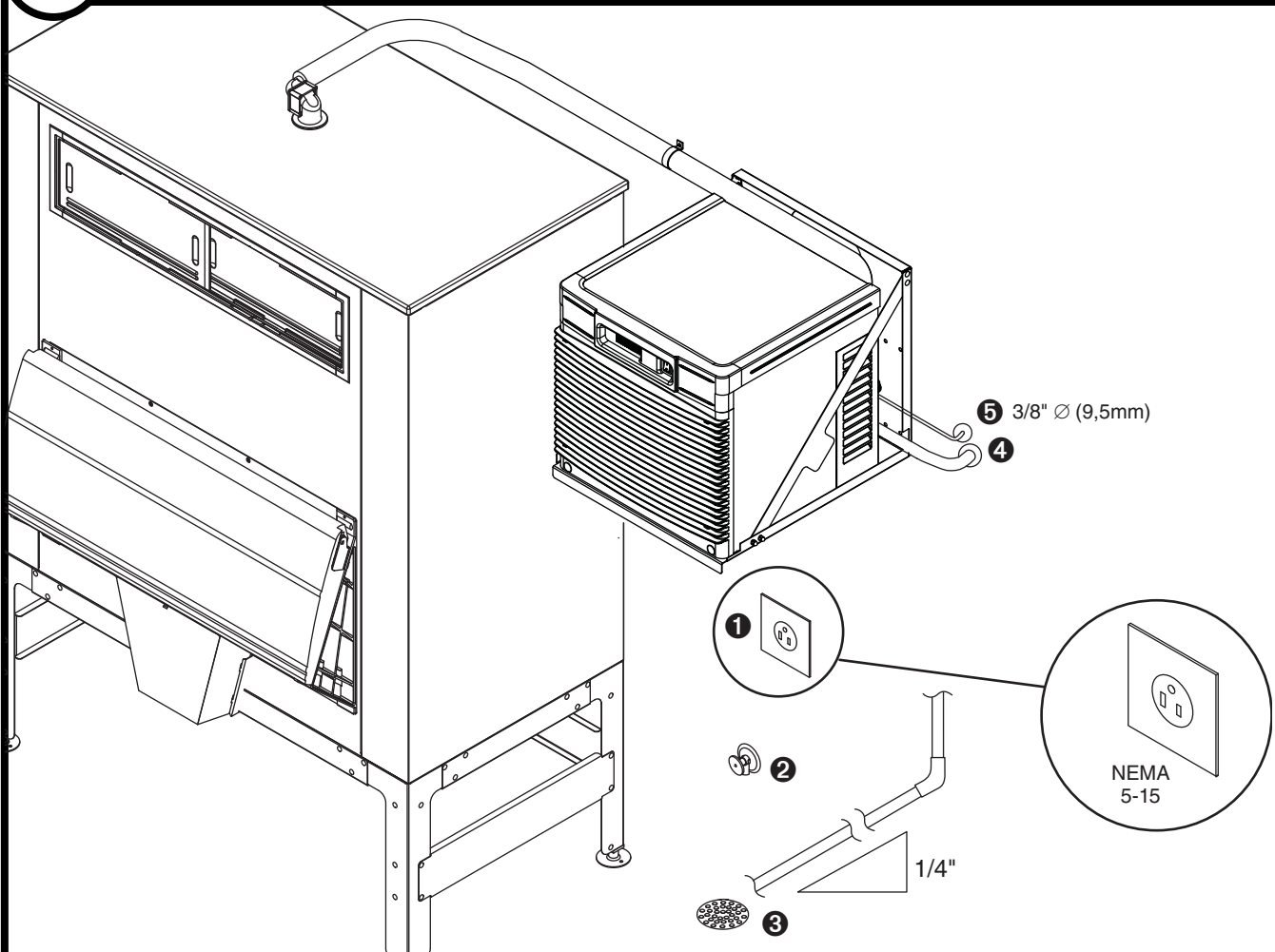


Prepare the installation site.

Provide drainage, water supply and electrical power to within 6 feet (2m) of ice machine in accordance with local and national codes. Outdoor installation of low side is not recommended and will void warranty.



2.1 Installation site requirements



Electrical ❶

- 120/60/1-6 amps

Potable water supply ❷

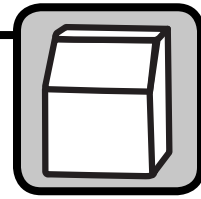
- 10-70 psi (69-483kpa)
- 45-90 F (7-32 C)
- Water supply must be treated by a scale-inhibiting filter (item# 00130286)

Drain ❸

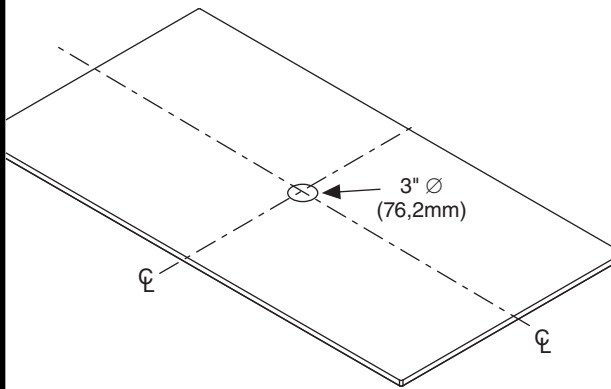
- The drain line from the ice machine must be vented and have at least 1/4" per foot pitch (6,4mm/0,3m)

Refrigeration lines ❹

- 5/8" (15,8mm) diameter suction (insulated) ❹
- 3/8" (9,5mm) liquid ❺

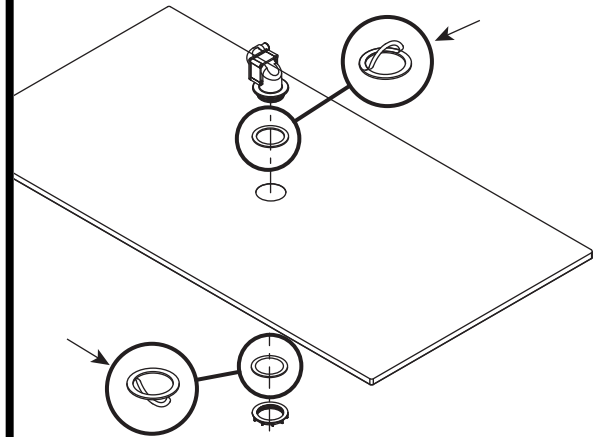


3.1 Bin top preparation



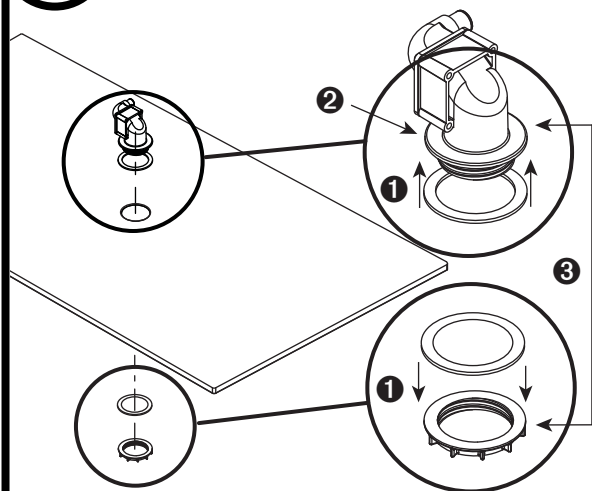
- Locate center of bin top
- Cut 3" (77,2mm) diameter hole in bin top

3.2 Bin top preparation



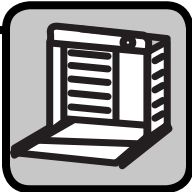
- Remove protective tape from gaskets

3.3 Bin top preparation

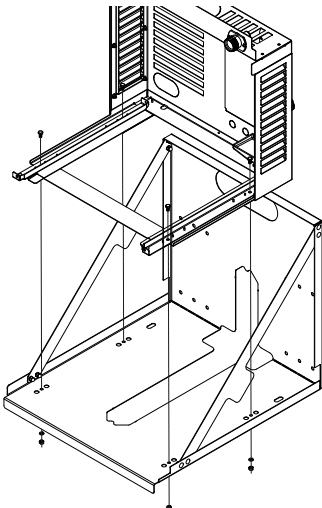


- Apply gaskets 1
- Install shuttle actuator 2 through top of bin and secure with locking nut 3

Install the louvered docking assembly.

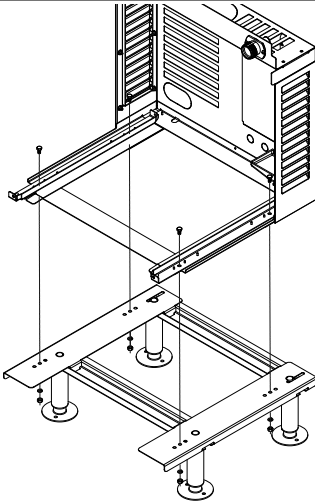


Wall bracket accessory



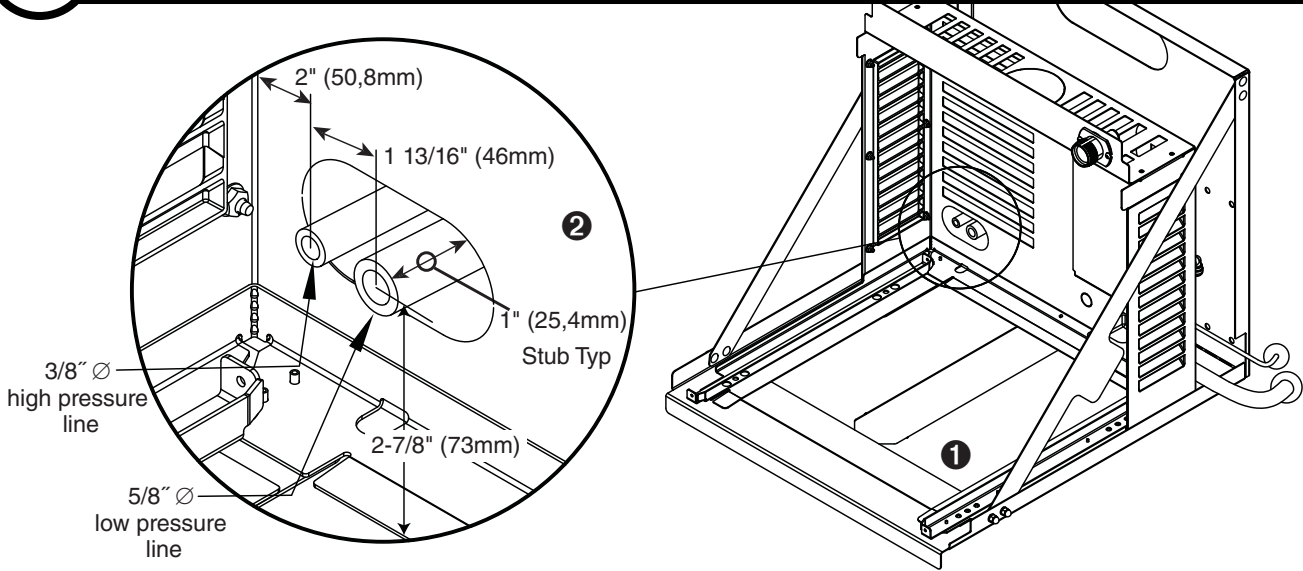
- Mount louvered docking assembly to wall bracket accessory

Machine stand accessory



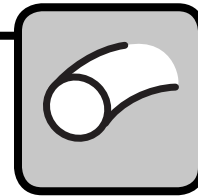
- Mount louvered docking assembly to machine stand accessory

4.1 Louvered docking assembly

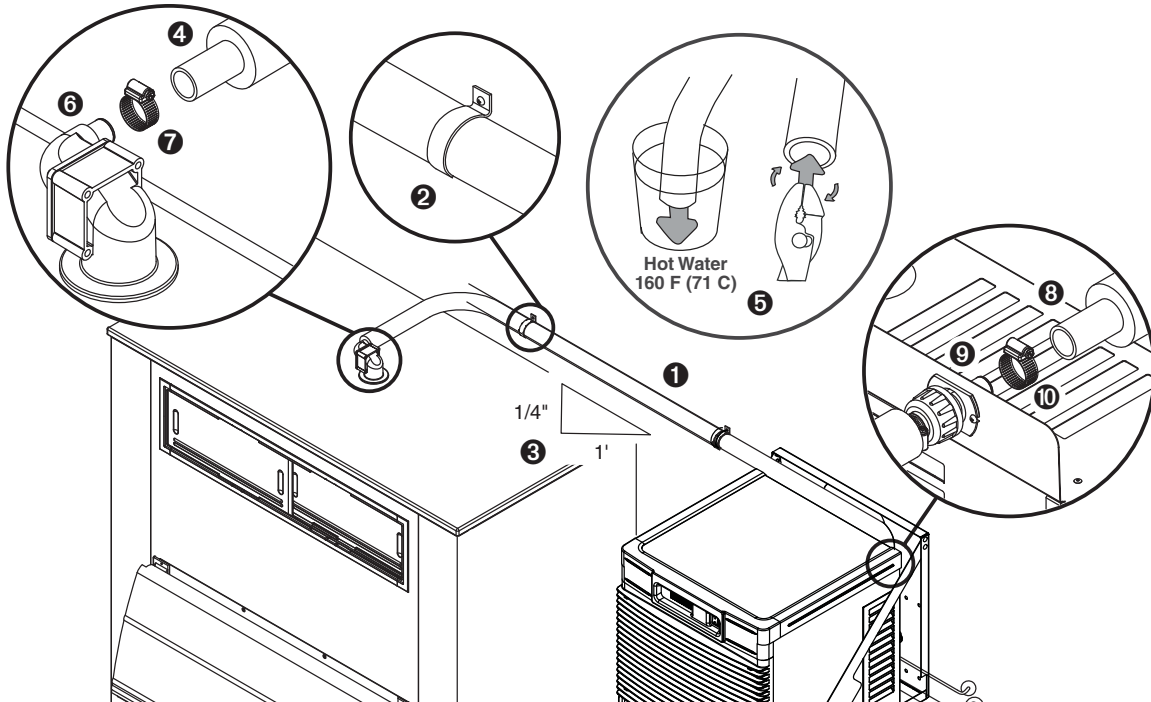


- Mount louvered docking assembly 1
- "Rough-in" the refrigerant piping 2

Install the ice transport tube.



5.1 Ice transport tube installation



**Ice transport tube tips**

- Insulate entire length of ice transport tube ①
- Secure ice transport tube ② as needed to prevent dips and traps from forming. For long tube runs see guide on page 13.
- Pitch ice transport tube at least 1/4" per foot (6,4mm/.3m) ③
- Ice transport tube must drain towards ice machine

**Ice transport tube to bin**

- Be sure tube ends are square ④
- Heat end of transport tube in cup of 160 F (71 C) hot water to soften and spread with pliers ⑤ before making connection to ease assembly
- Push ice transport tube onto ice machine nipple ⑥
- Install hose clamp ⑦

**Ice transport tube to Ice machine**

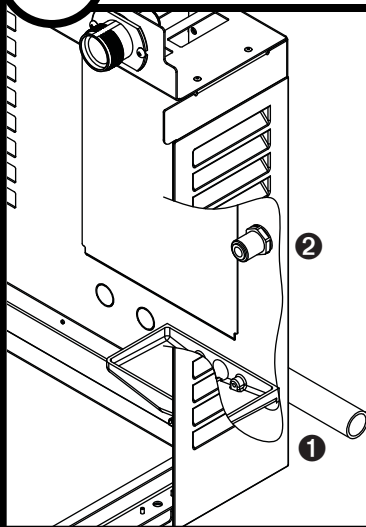
- Be sure tube ends are square ⑧
- Heat end of transport tube in cup of 160 F (71 C) hot water to soften and spread with pliers ⑤ before making connection to ease assembly
- Push ice transport tube onto ice machine nipple ⑨
- Install hose clamp ⑩



Connect utilities to louvered docking assembly.

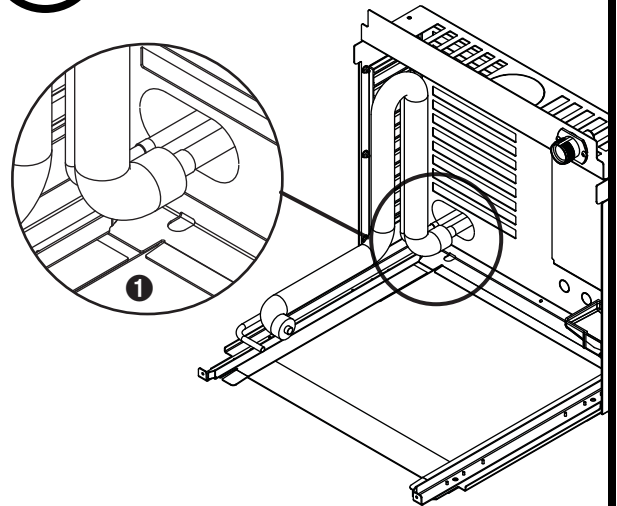


### 6.1 Water and drain



- Remove access panel if necessary.
- Install drain line ①.  
The rigid drain line from the ice machine must be vented and have at least 1/4" per foot (6,4mm/0,3m) pitch.
- Install icemaker potable water supply ②  
(Water supply must be treated by a scale-inhibiting filter (item# 00130286))
- Replace access panel

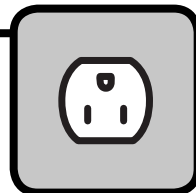
### 6.2 Refrigerant



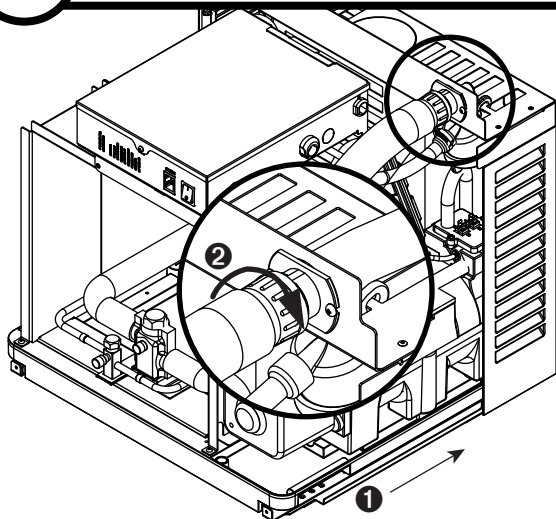
- Braze supplied expandable refrigerant lines in place ①

Connect louvered docking assembly to ice machine.

## Internal connections **7**

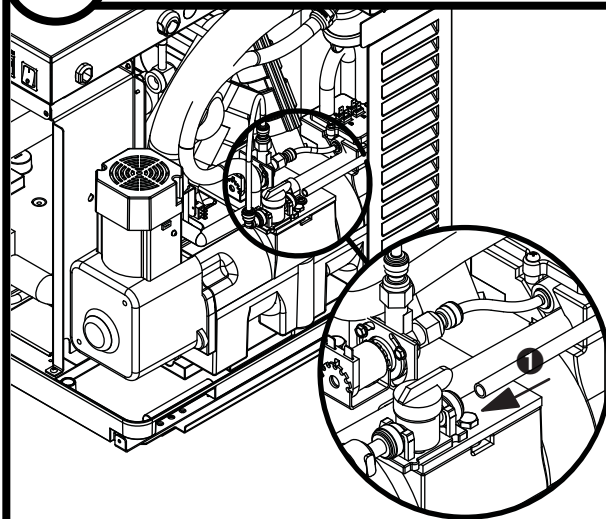


### 7.1 Ice transport tube installation



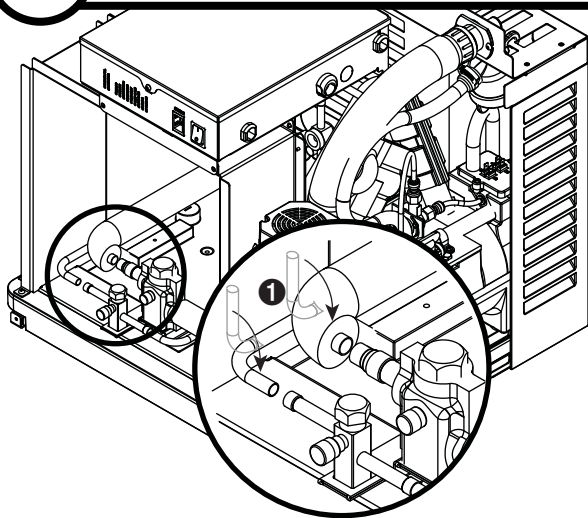
- Slide ice machine into louvered docking assembly **1**
- Insert ice transport tube all the way into coupling and tighten nut firmly **2**

### 7.2 Water and drain lines



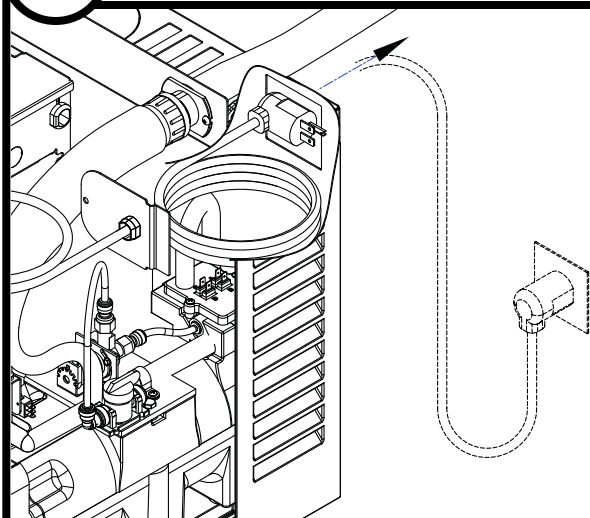
- Insert potable water line into valve **1**

### 7.3 Refrigeration lines



- Braze refrigerant lines

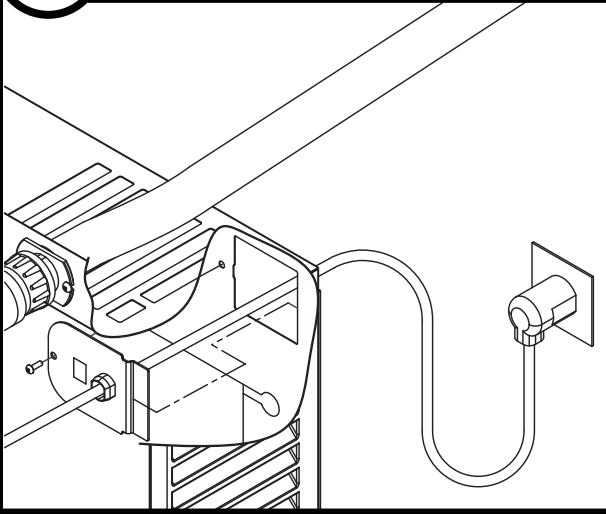
### 7.4 Power cord



- Remove twist tie
- Carefully pass plug thru opening and plug into wall outlet

7.5

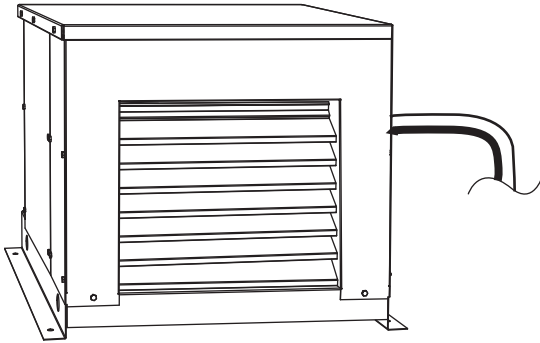
### Power cord



- Position plate into opening and secure with supplied screw

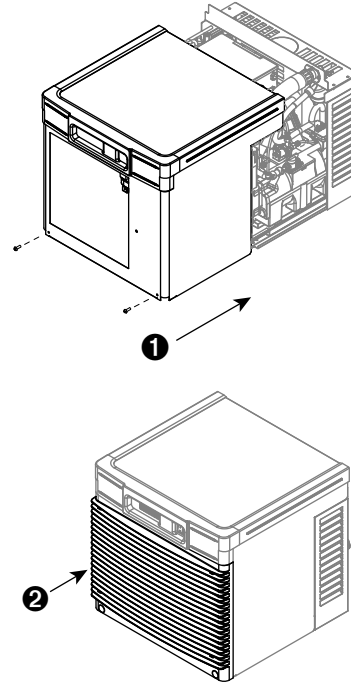


**8.1** Install condensing unit



- Complete installation of condensing unit or connection to rack system.

**8.2** Install ice machine front cover

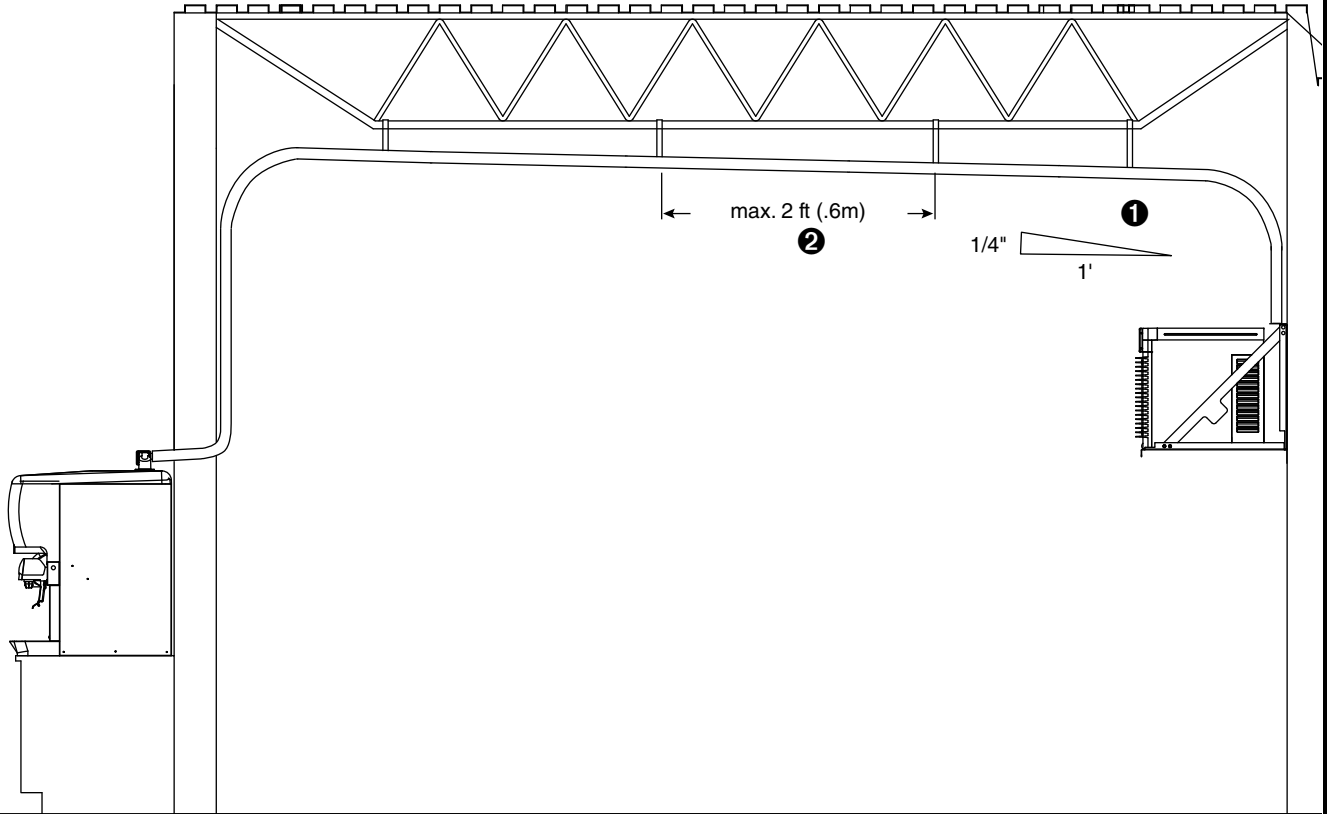


- Slide ice machine cover over machine, ensuring that tabs on back of cover slip under louvers on back of louvered docking assembly **1**, then tighten two screws through cover
- Place louvered front cover on machine **2**

**NOTICE**

- Ice machine **MUST** be sanitized prior to operation!
- Consult Operation and Service Manual provided with ice machine for sanitizing instructions.
- To prevent circuit breaker overload, wait 15 minutes before restarting this unit. This allows the compressor to equalize and the evaporator to thaw.

## Long tube run recommendations



- Pitch ice transport tube to allow melt water to drain towards ice machine ❶
- Secure insulated ice transport tube at least every 2 ft (.6m) to prevent dips or traps ❷
- Maximum length of transport tube is 75' (22.5 m).
- Maximum rise is 20' (7.5 m).
- Maximum length of transport tube for Micro Chewblet applications is 10' (3 m).





Horizon, Maestro, Harmony, Ice Manager, SafeCLEAN, Sani-Sponge and Vision are trademarks of Follett Corporation. Follett, RIDE and Chewblet are registered trademarks of Follett Corporation, registered in the US.



801 Church Lane • Easton, PA 18040, USA  
Toll free (877) 612-5086 • +1 (610) 252-7301  
[www.follettice.com](http://www.follettice.com)



01012699R01  
© Follett Corporation 8/13