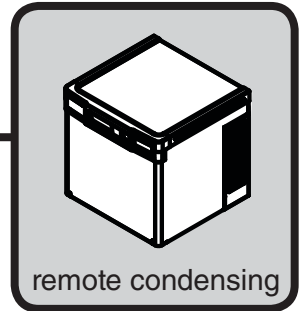


Horizon™ Ice Machine Models with RIDE® Technology Installation Instructions for Harmony™ or 110CM Symphony™ Plus Applications

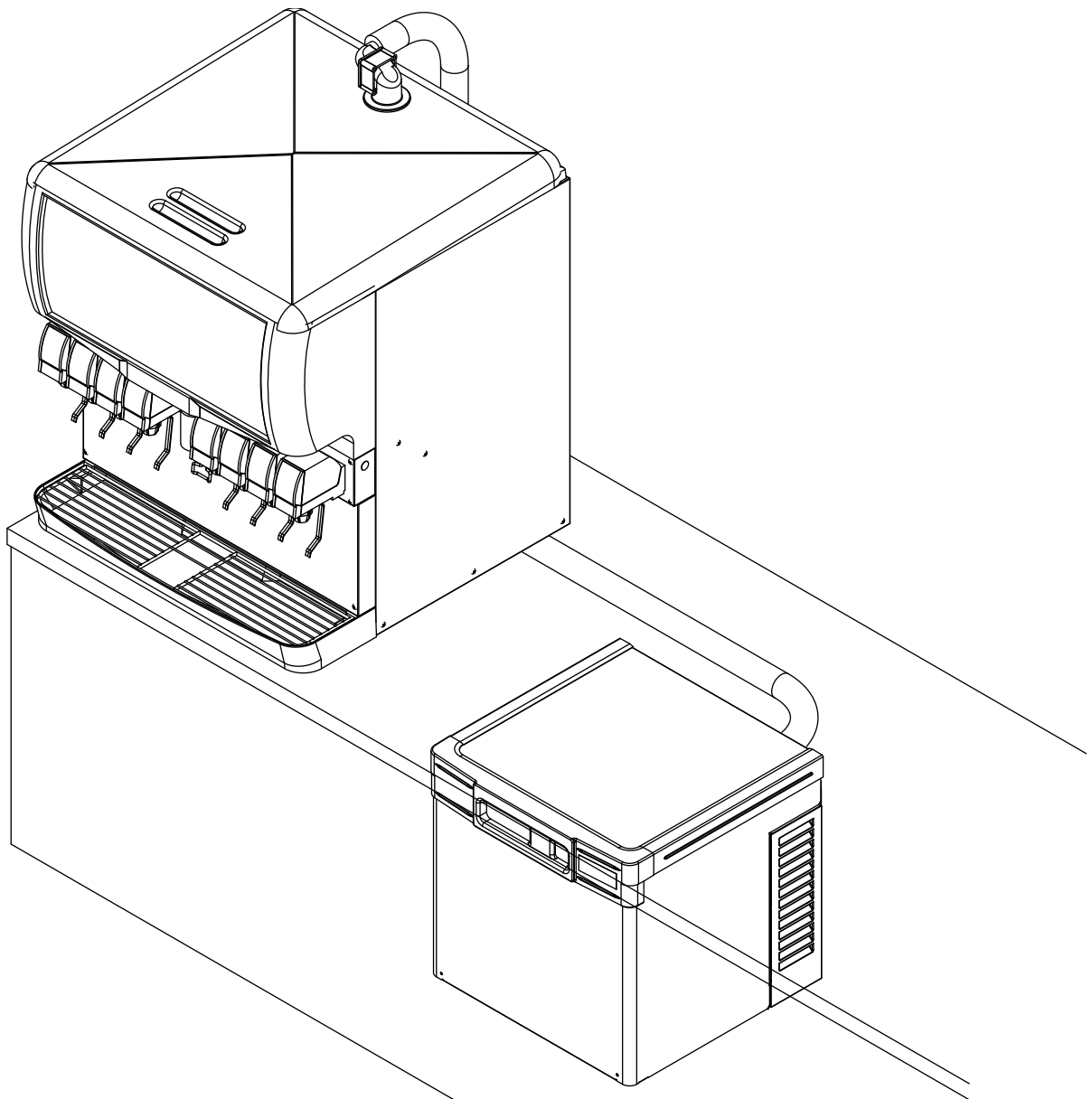
HCD/HMD700RHS
HCD/HMD700NHS

(See model number configurator on page 2 for details.)

Order parts online
www.follettice.com



**For applications using 110CM Symphony Plus
and most countertop dispensers manufactured by
Cornelius • Lancer • SerVend**




Chewblet® Ice Machine Model Number Configurations

HC
C
700
A
V
S


Machine	Voltage	Series	Condenser	Application	Configuration
MC Maestro™ Chewblet (400 Series)	C 208-230/60/1 (icemaking head) <i>Self-contained only.</i> D 115/60/1 (icemaking head) <i>Self-contained and remote.</i> <i>If remote unit, high side is 208-230/60/1.</i>	400 up to 454 lbs (206kg) 700 up to 750 lbs (340kg)	A Air-cooled, self-contained W Water-cooled, self-contained	V Vision™ H Harmony™ B Ice storage bin	S RIDE® <i>(RIDE remote ice delivery equipment)</i>
HC Horizon Chewblet (1000, 1400, 1650 Series)	E 230/50/1 (icemaking head) <i>Self-contained only.</i>	1000 up to 1036 lbs (471kg)	R Air-cooled, remote condensing unit N Air-cooled, no condensing unit for connection to parallel rack system	J Drop-in M Ice Manager™ diverter valve system	T Top-mount
HM Horizon Micro Chewblet		1400 up to 1450 lbs (658kg) 1650 up to 1580 lbs (717kg)			

Read and complete the following 8 installation steps


1 **Unpack** _____




2 **Site preparation** _____




3 **Dispenser preparation** _____



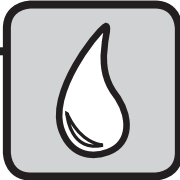
4 **Louvered docking assembly** _____



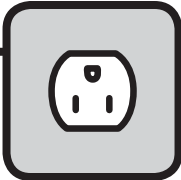
5 **Ice transport tube** _____



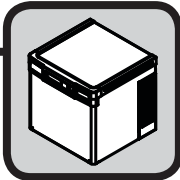
6 **External connection** _____



7 **Internal connection** _____



8 **Front cover** _____

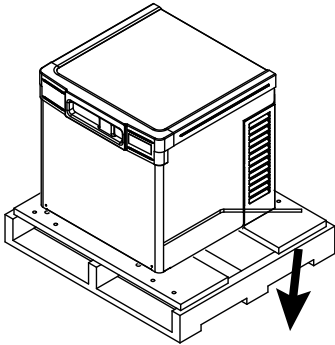


Carefully unpack and inspect the contents of your Follett ice machine.

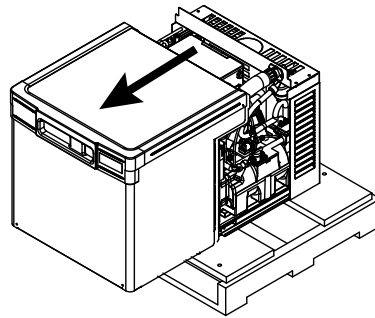


1.1 Unpack ice machine

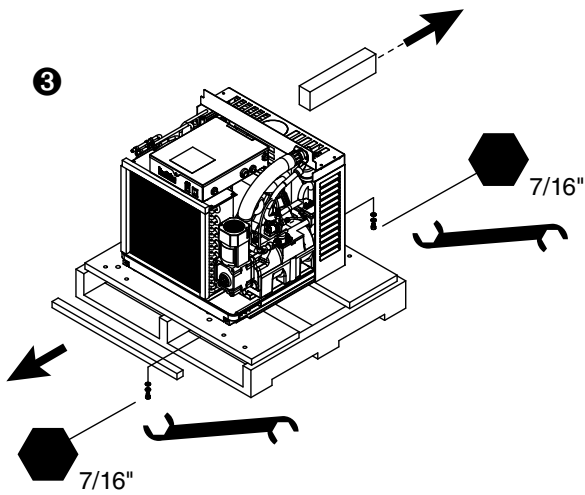
1



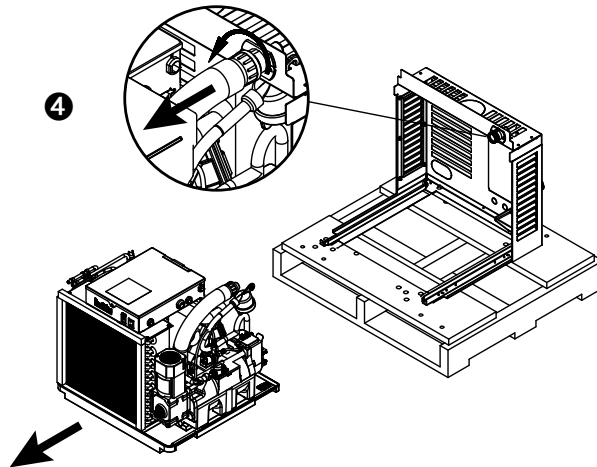
2



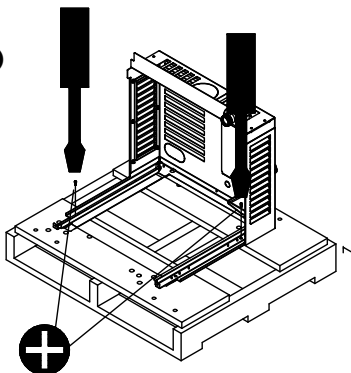
3



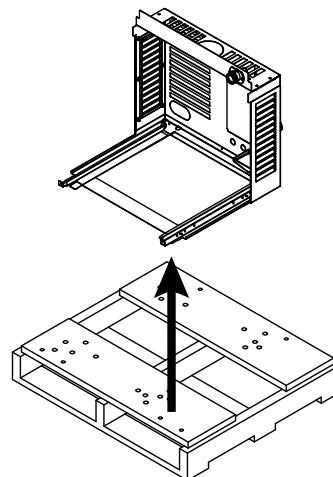
4



5



6



Prepare the installation site.

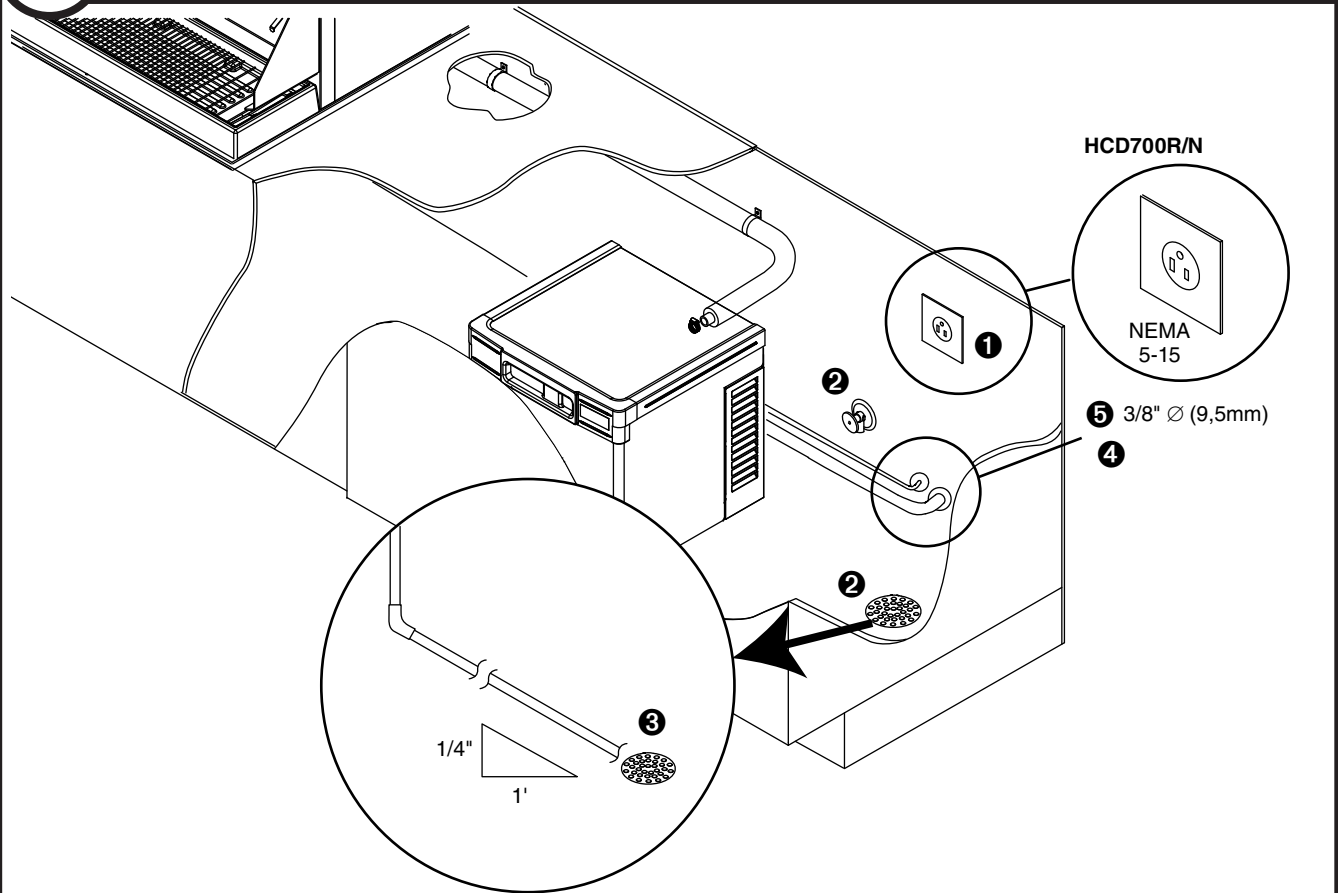
Site preparation

2

Provide drainage, water supply and electrical power to within 6 feet (2m) of ice machine in accordance with local and national codes. Outdoor installation of low side is not recommended and will void warranty.



2.1 Installation site requirements



Electrical **1**

- 120/60/1-6 amps

Potable water supply **2**

- 10-70 psi (69-483kpa)
- 45-90 F (7-32 C)
- Water supply must be treated by a scale-inhibiting filter (item# 00130286)

Drain **3**

- The drain line from the ice machine must be vented and have at least 1/4" per foot pitch (6,4mm/0,3m)

Refrigeration lines **4**

- 5/8" (15,8mm) diameter suction (insulated) **4**
- 3/8" (9,5mm) liquid **5**

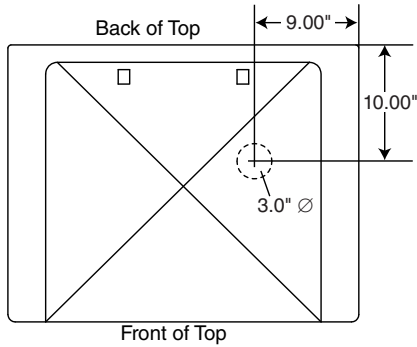
Prepare the dispenser.



Attention! The location of the hole in the dispenser top is dependent on the type of dispenser. Be sure to follow Step 3.1 for the appropriate dispenser.

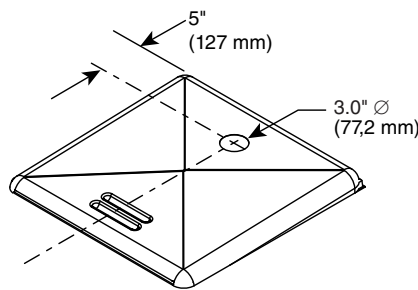
3.1 Hole location - Harmony (Lancer, Cornelius or Servend), or 110CM Symphony Plus

Lancer Sensation and Touchpoint



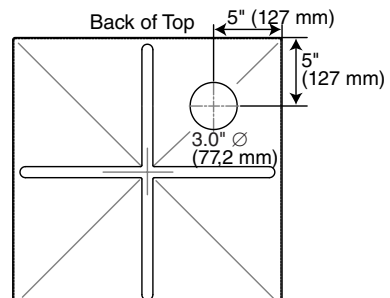
Locate hole position 9" (254 mm) from back and 9" (229 mm) from right of dispenser top

Standard (Cornelius, Lancer, or Servend)



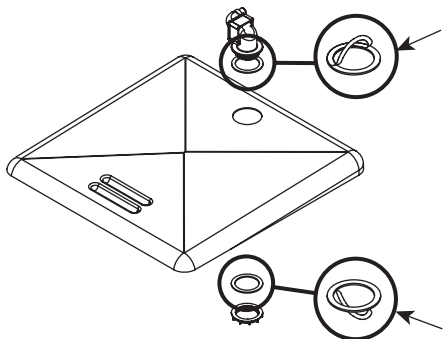
Locate hole position 5" (127 mm) from back of dispenser top

110CM Symphony Plus



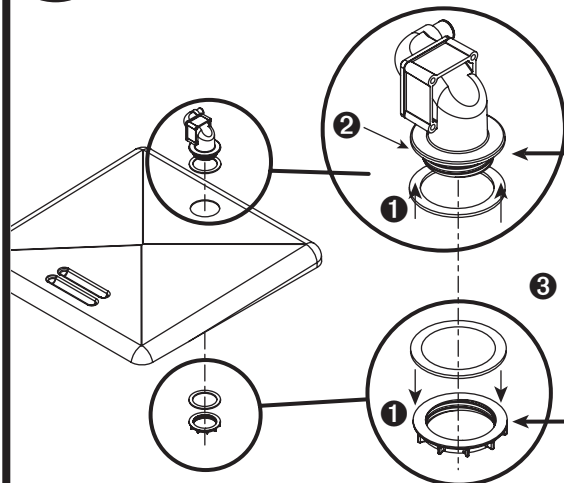
Locate hole position 5" (127 mm) from back and right of dispenser top

3.2 Top preparation



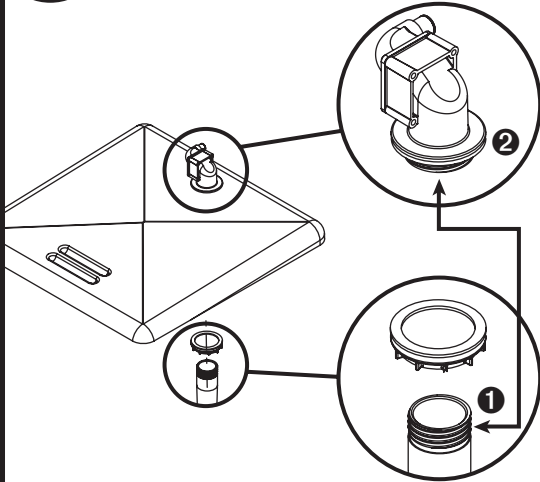
- Remove protective tape from gaskets

3.3 Top preparation



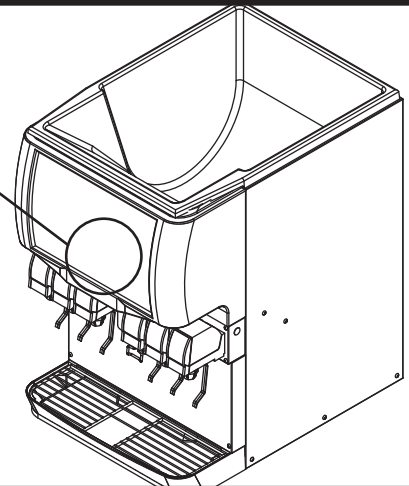
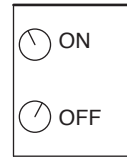
- Apply gaskets ①
- Install shuttle actuator ② through dispenser top and secure with locking nut ③

3.4 Top preparation



- Screw 4" (102 mm) extension **1** into bottom of shuttle actuator **2**

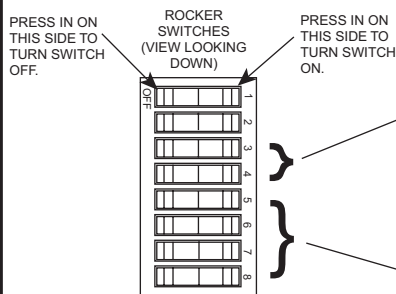
3.5 Agitation adjust. – CORNELIUS



Cornelius models ED, DB, DF, IDC and FLAVOR FUSION

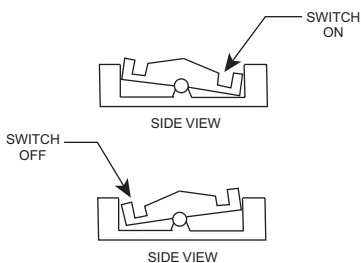
Adjust the agitation timer located on the Cornelius PC board to 1 second on, 1 hour off. **Note:** See Cornelius manual for more information.

3.6 Agitation adjustments – LANCER 4500 SERIES



SWITCH NUMBER	AGITATION TIME			
	1 SECOND	2 SECONDS	3 SECONDS	4 SECONDS
3	O	O	X	X
4	O	X	O	X

X = ON
O = OFF

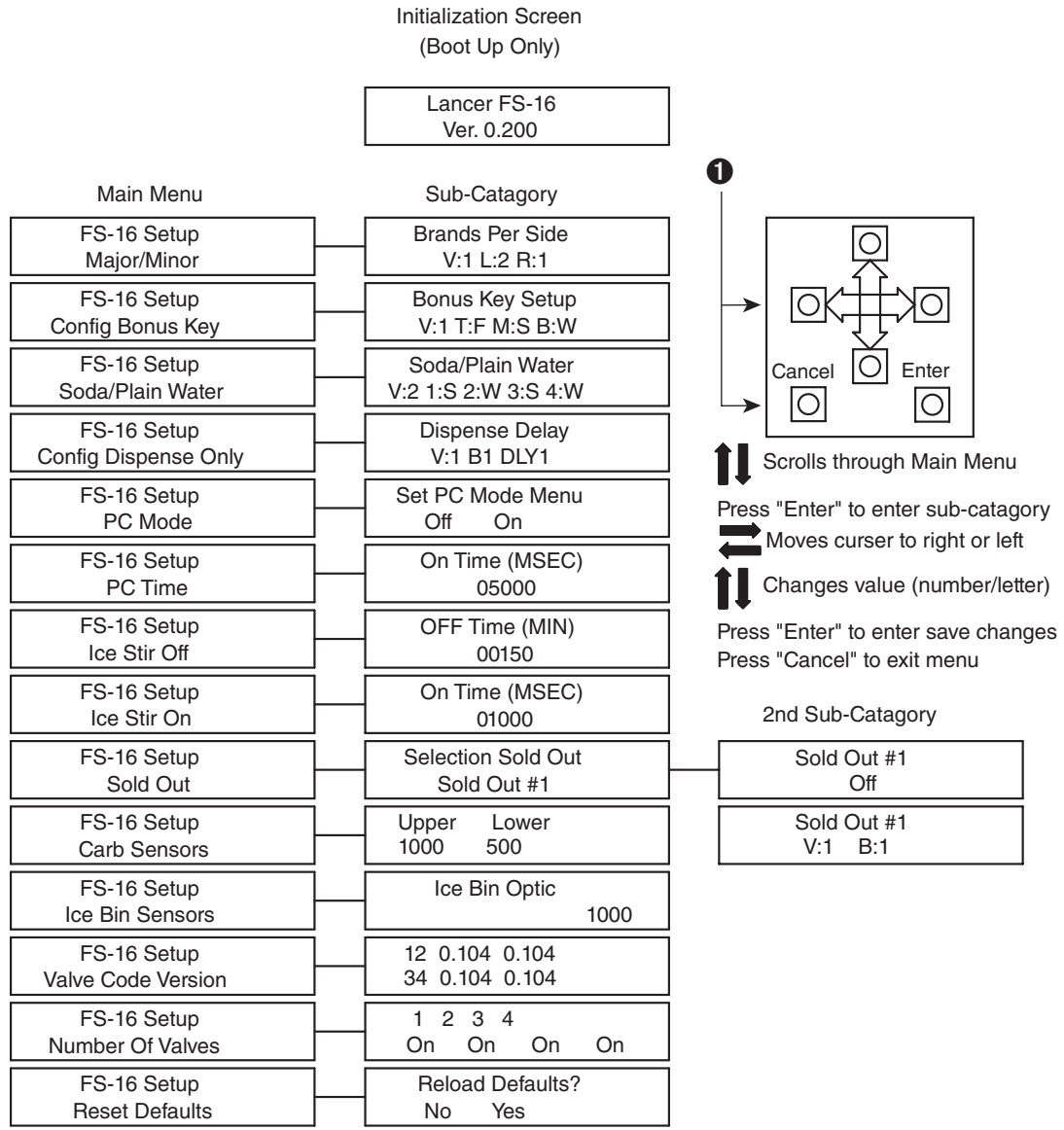


SWITCH NUMBER	AGITATION FREQUENCY															
	NO AGITATION	10 MINUTES	20 MINUTES	30 MINUTES	40 MINUTES	50 MINUTES	60 MINUTES	70 MINUTES	80 MINUTES	90 MINUTES	100 MINUTES	110 MINUTES	120 MINUTES	130 MINUTES	140 MINUTES	150 MINUTES
5	O	O	O	O	O	O	O	O	X	X	X	X	X	X	X	X
6	O	O	O	O	X	X	X	X	O	O	O	O	X	X	X	X
7	O	O	X	X	O	O	X	X	O	O	X	X	O	O	X	X
8	O	X	O	X	O	X	O	X	O	X	O	X	O	X	O	X

Lancer 4500 series only

Adjust the agitation time to 1 second, and the agitation frequency to 150 minutes. See Lancer manual for more information.

3.7 Agitation adjustments – LANCER FS SERIES



Lancer FS series only

- Hold down "cancel" and "left button" to get to hidden menu ①
- Type in code 6655
- Type in 150 minutes "off time" and 1000 milliseconds (1 second of time) as the preferred setting

Note: See Lancer manual for more information

3.8 Agitation adjustments – SERVEND

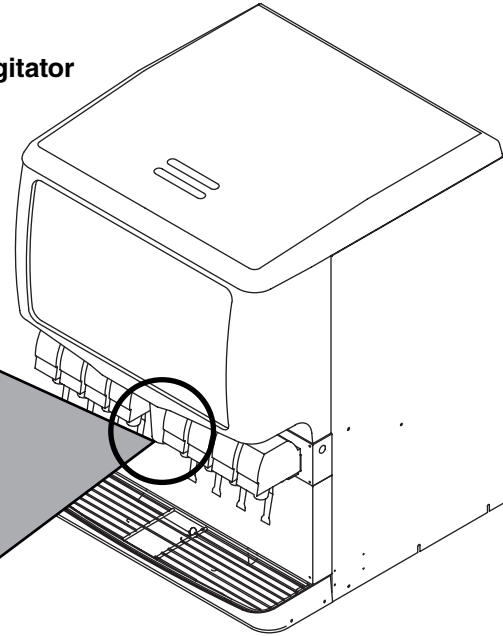
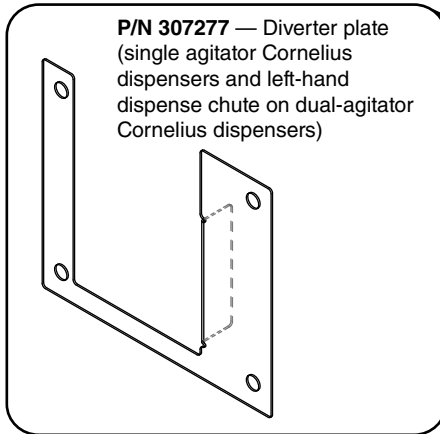
SerVend models only

No agitation adjustment required

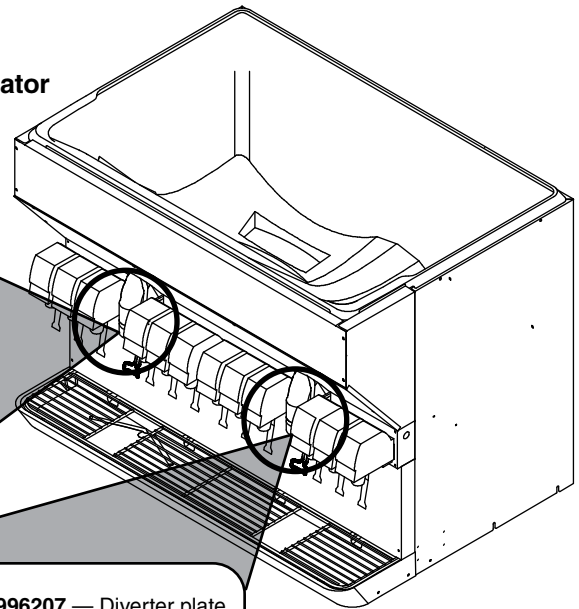
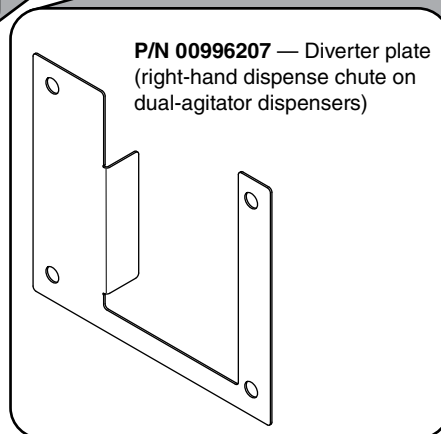
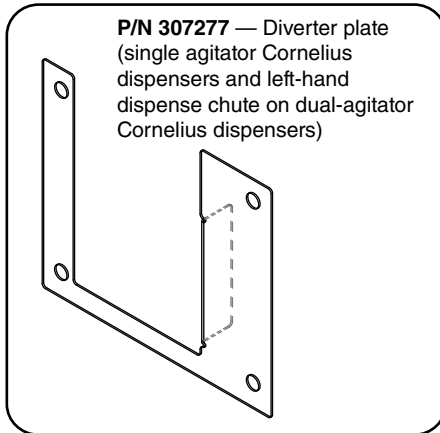
3.9

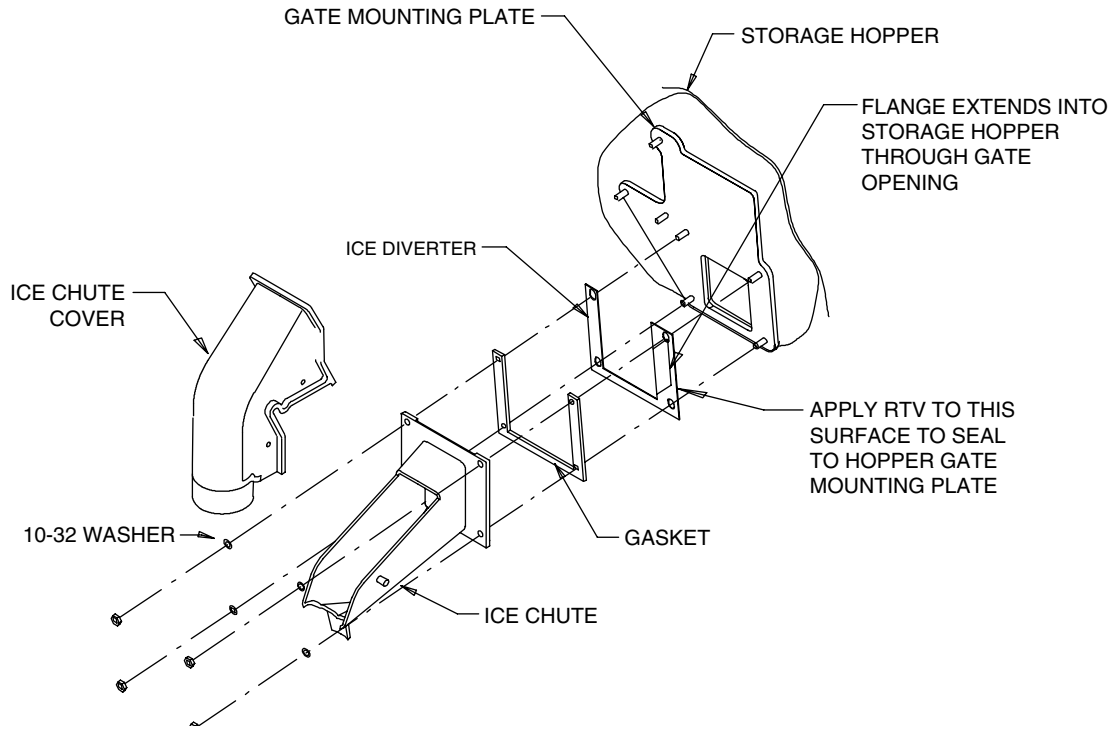
Dispenser diverter plate overview (Installation on next page)

Single Agitator



Dual Agitator



3.10**Dispenser diverter plate installation – CORNELIUS ED, DF and DB SERIES****Cornelius ED, DF and DB series only**

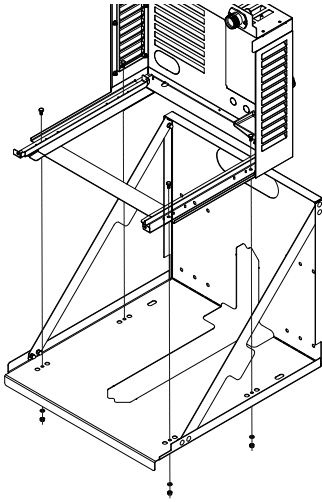
These dispensers require the installation of an ice diverter at the dispenser opening.

- Disassemble chute assembly
- Discard factory restrictor plate
- Replace with alternate diverter plate (supplied)

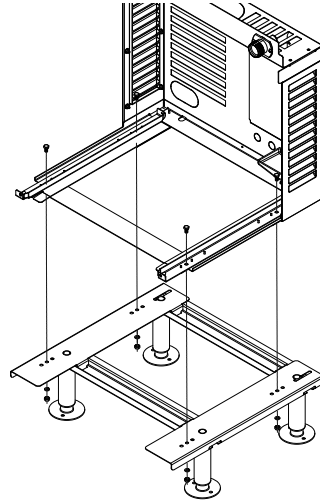
Louvered docking assembly

4

Install the louvered docking assembly.

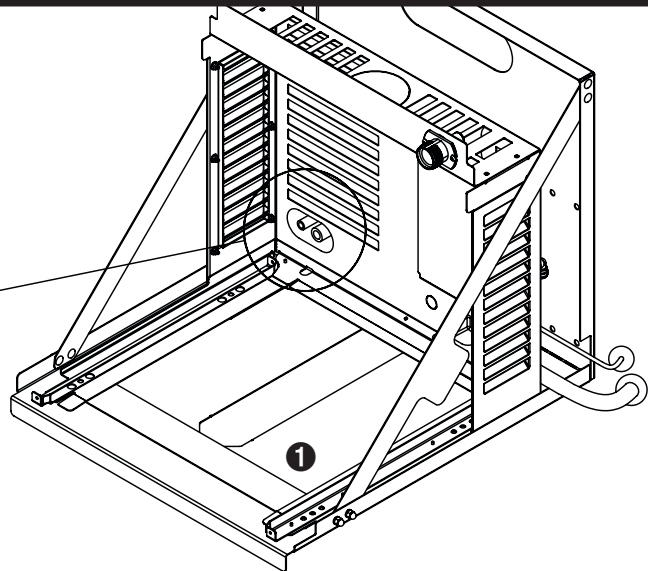
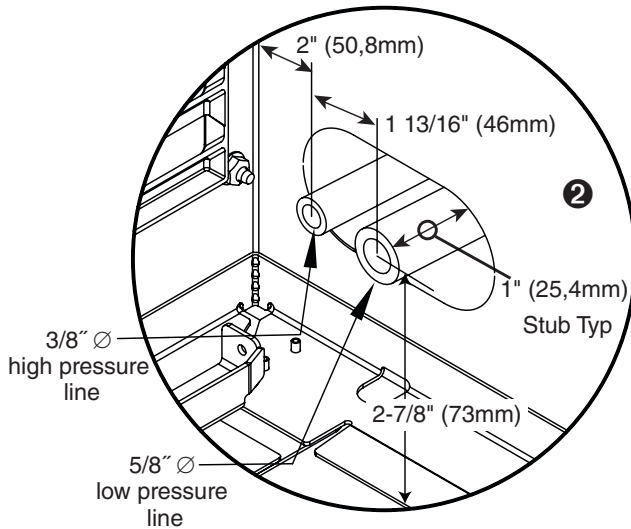


- Mount louvered docking assembly to wall bracket accessory



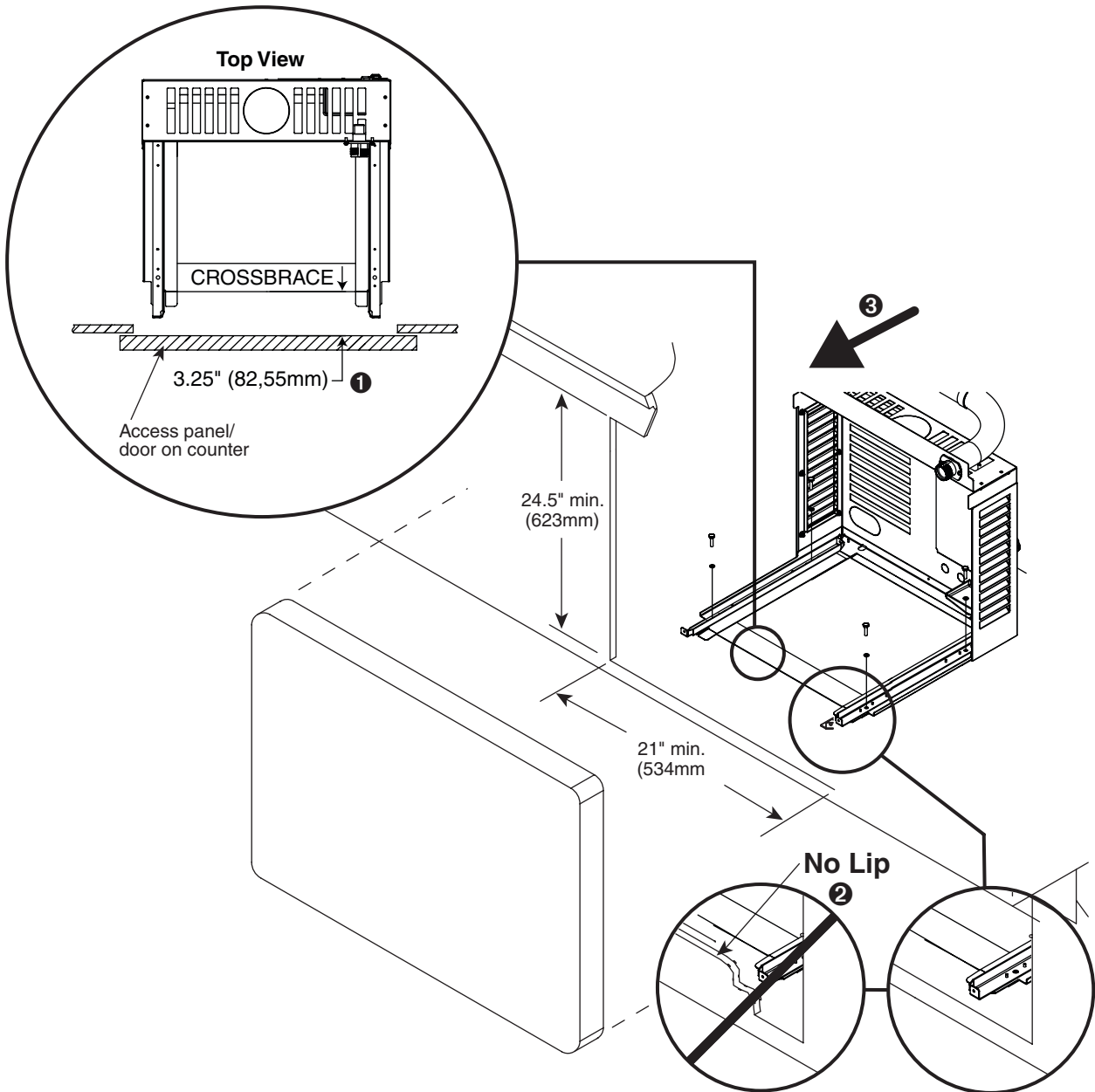
- Mount louvered docking assembly to machine stand accessory

4.1 Louvered docking assembly



- Mount louvered docking assembly 1
- "Rough-in" the refrigerant piping 2

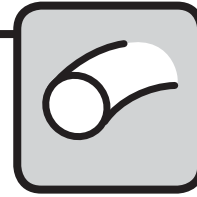
4.2 Undercounter installation requirements



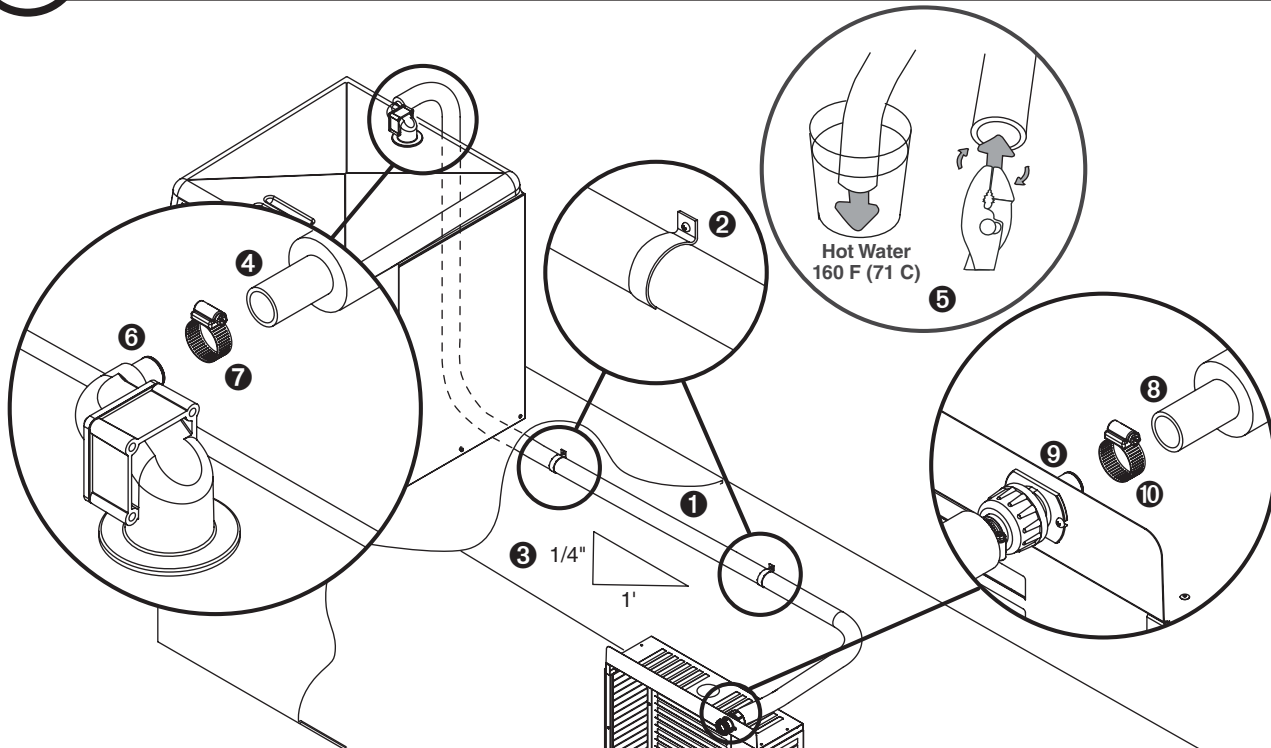
DOCKING STATION

- Position and screw louvered docking assembly to the bottom of counter inside of access panel/ door min. of 3.25" (82,55 mm) from the front edge of the cross brace ①
- The mounting surface for the louvered docking assembly must be solid. Do not mount directly onto runners or channels.
- There must be no lip or edge that would hinder the ice machine from sliding in or out of the louvered docking station ②
- Icemaker must be installed facing forward as shown for service accessibility ③

Install the transport tube.



5.1 Transport tube installation.



Ice transport tube tips

- Insulate entire length of ice transport tube ❶
- Secure ice transport tube ❷ as needed to prevent dips and traps from forming. For long tube runs see guide on page 19.
- Pitch ice transport tube at least 1/4" per foot (6,4mm/.3m) ❸
- Ice transport tube must drain towards ice machine

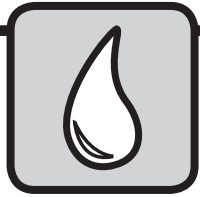
Ice transport tube to dispenser

- Be sure tube ends are square ❹
- Heat end of transport tube in cup of 160 F (71 C) hot water to soften and spread with pliers ❺ before making connection to ease assembly
- Push ice transport tube onto shuttle actuator nipple ❻
- Install hose clamp ❼

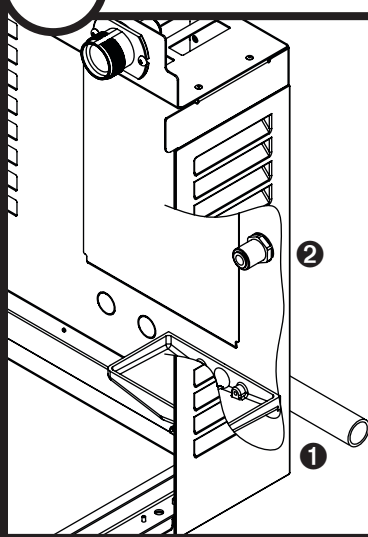
Ice transport tube to Ice machine

- Be sure tube ends are square ❸
- Heat end of transport tube in cup of 160 F (71 C) hot water to soften and spread with pliers ❺ before making connection to ease assembly
- Push transport tube onto ice machine nipple ❾
- Install hose clamp ❿

Connect utilities to louvered docking assembly.

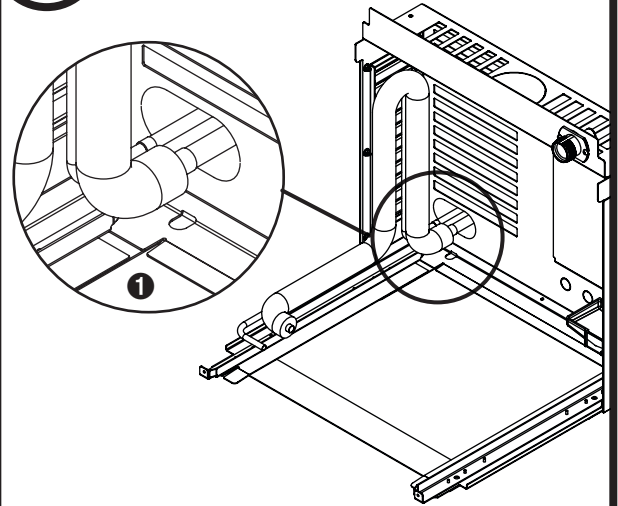


6.1 Water and drain



- Remove access panel if necessary.
- Install drain line ①.
The rigid drain line from the ice machine must be vented and have at least 1/4" per foot (6,4mm/0,3m) pitch.
- Install icemaker potable water supply ②
(Water supply must be treated by a scale-inhibiting filter (item# 00130286))
- Replace access panel

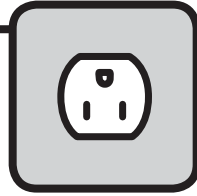
6.2 Refrigerant



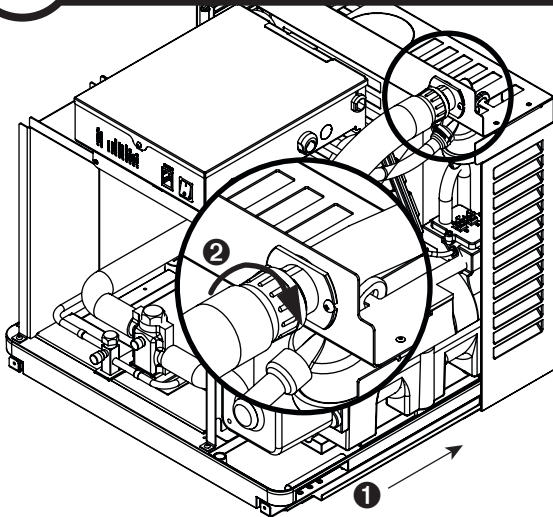
- Braze supplied expandable refrigerant lines in place ①

Connect louvered docking assembly to ice machine.

Internal connections **7**

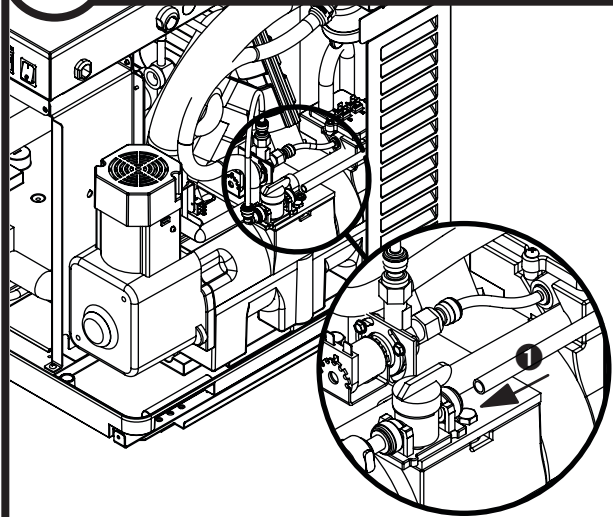


7.1 Ice transport tube installation



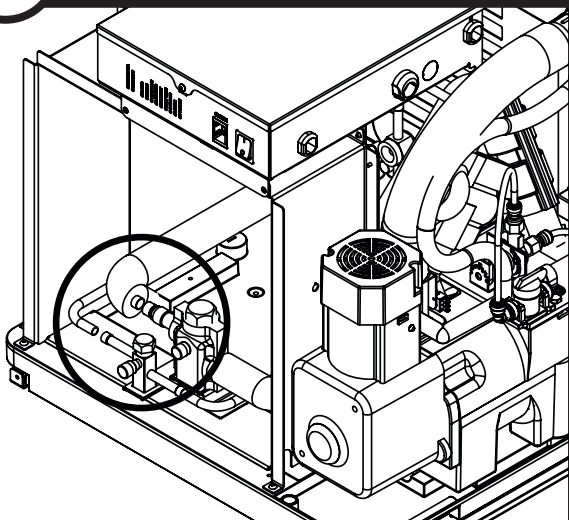
- Slide ice machine into louvered docking assembly **1**
- Insert ice transport tube all the way into coupling and tighten nut firmly **2**

7.2 Water and drain lines



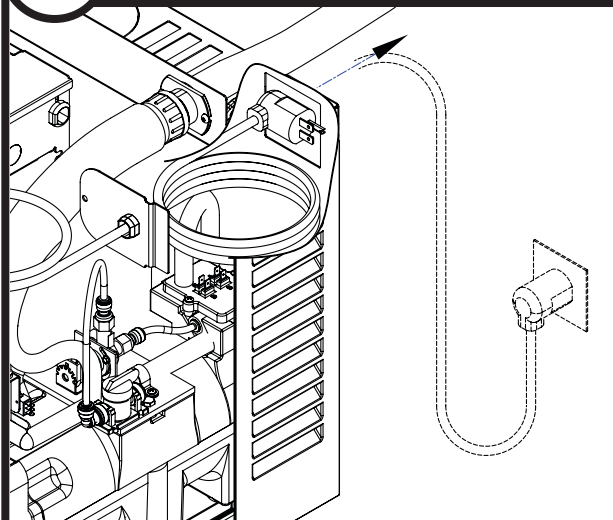
- Insert potable water line into valve **1**

7.3 Refrigeration lines



- Braze refrigerant lines

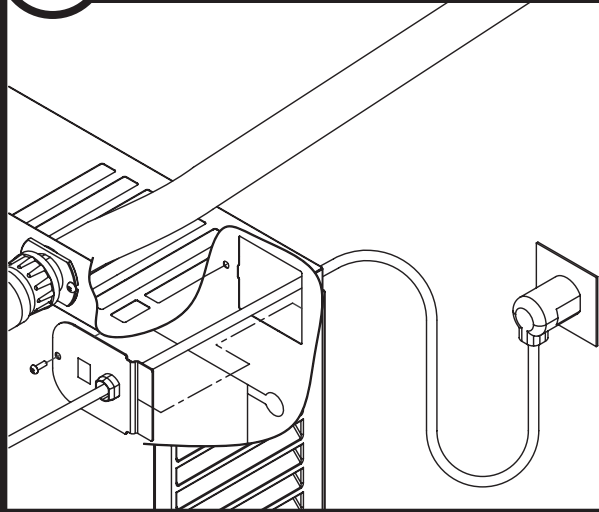
7.4 Power cord



- Remove twist tie
- Carefully pass plug thru opening and plug into wall outlet

7.5

Power cord

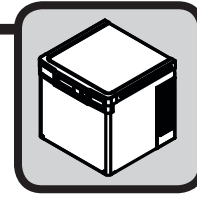


- Position plate into opening and secure with supplied screw

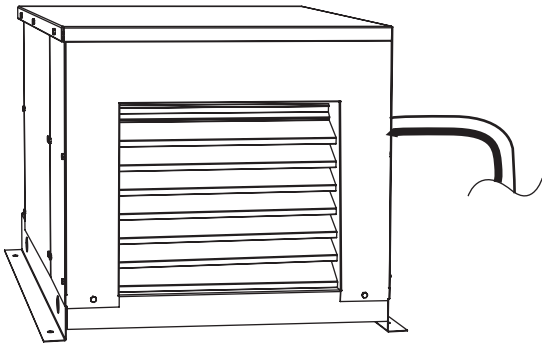
Install front cover to ice machine.

Front cover

8

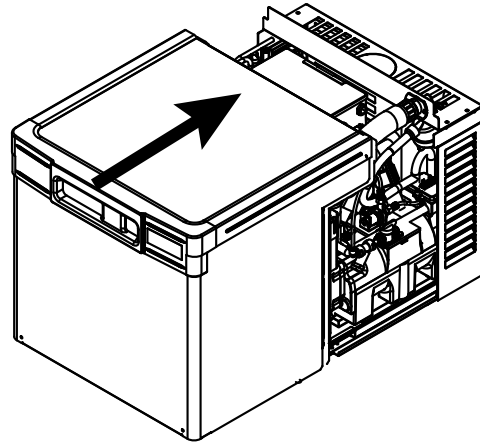


8.1 Install condensing unit



- Complete installation of condensing unit or connection to rack system.

8.2 Install ice machine front cover

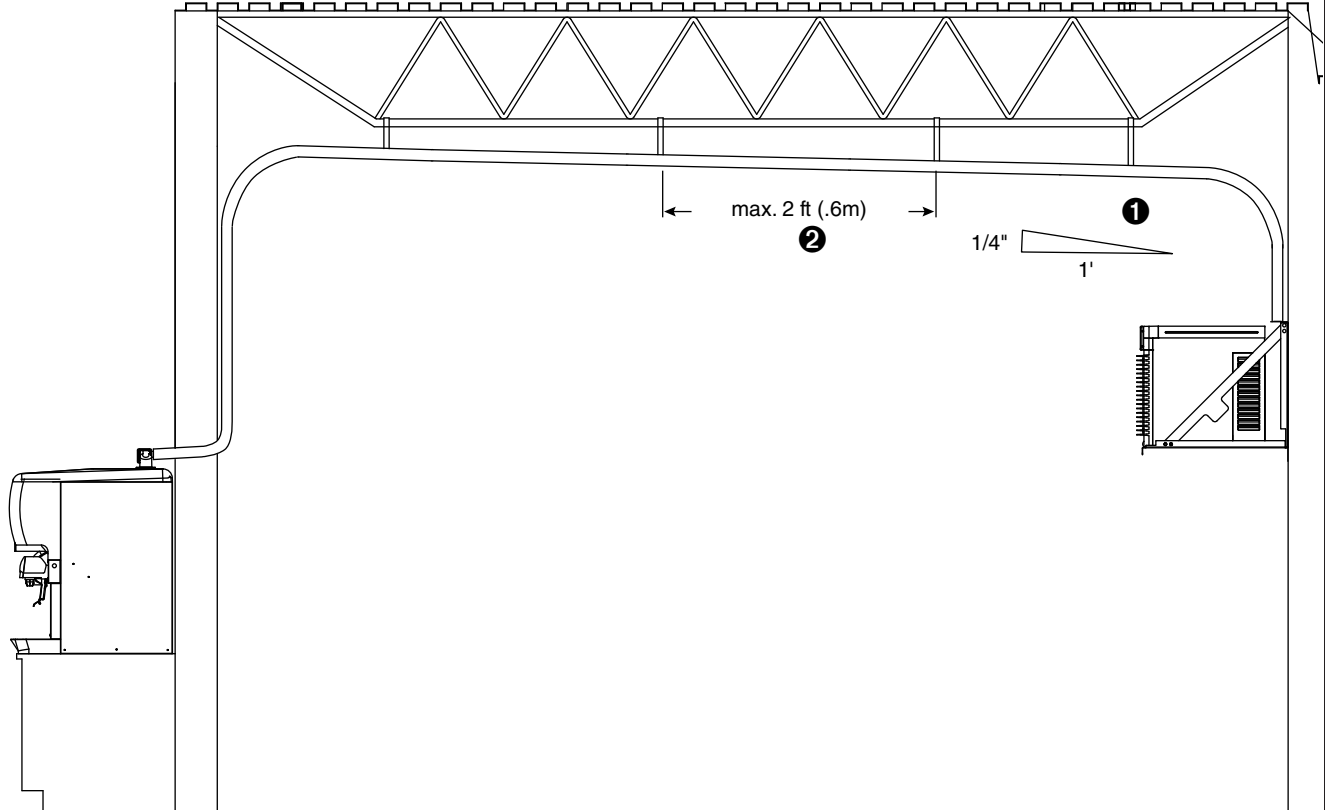


- Slide ice machine cover over machine, ensuring that tabs on back of cover slip under louvers on back of louvered docking assembly ❶, then tighten two screws through cover

NOTICE

- Ice machine **MUST** be sanitized prior to operation!
- Consult Operation and Service Manual provided with ice machine for sanitizing instructions.
- To prevent circuit breaker overload, wait 15 minutes before restarting this unit. This allows the compressor to equalize and the evaporator to thaw.

Long tube run recommendations



- Pitch ice transport tube to allow melt water to drain towards ice machine ①
- Secure insulated ice transport tube at least every 2 ft (.6m) to prevent dips or traps ②
- Maximum length of transport tube is 75' (22.5 m).
- Maximum rise is 20' (7.5 m).
- Maximum length of transport tube for Micro Chewblet applications is 10' (3 m).

Horizon, Maestro, Harmony, Ice Manager, SafeCLEAN, Sani-Sponge and Vision are trademarks of Follett Corporation.
Follett, Chewblet and RIDE are registered trademarks of Follett Corporation, registered in the US.



801 Church Lane • Easton, PA 18040, USA
Toll free (877) 612-5086 • +1 (610) 252-7301
www.follettice.com



01012673R03
© Follett Corporation 8/15