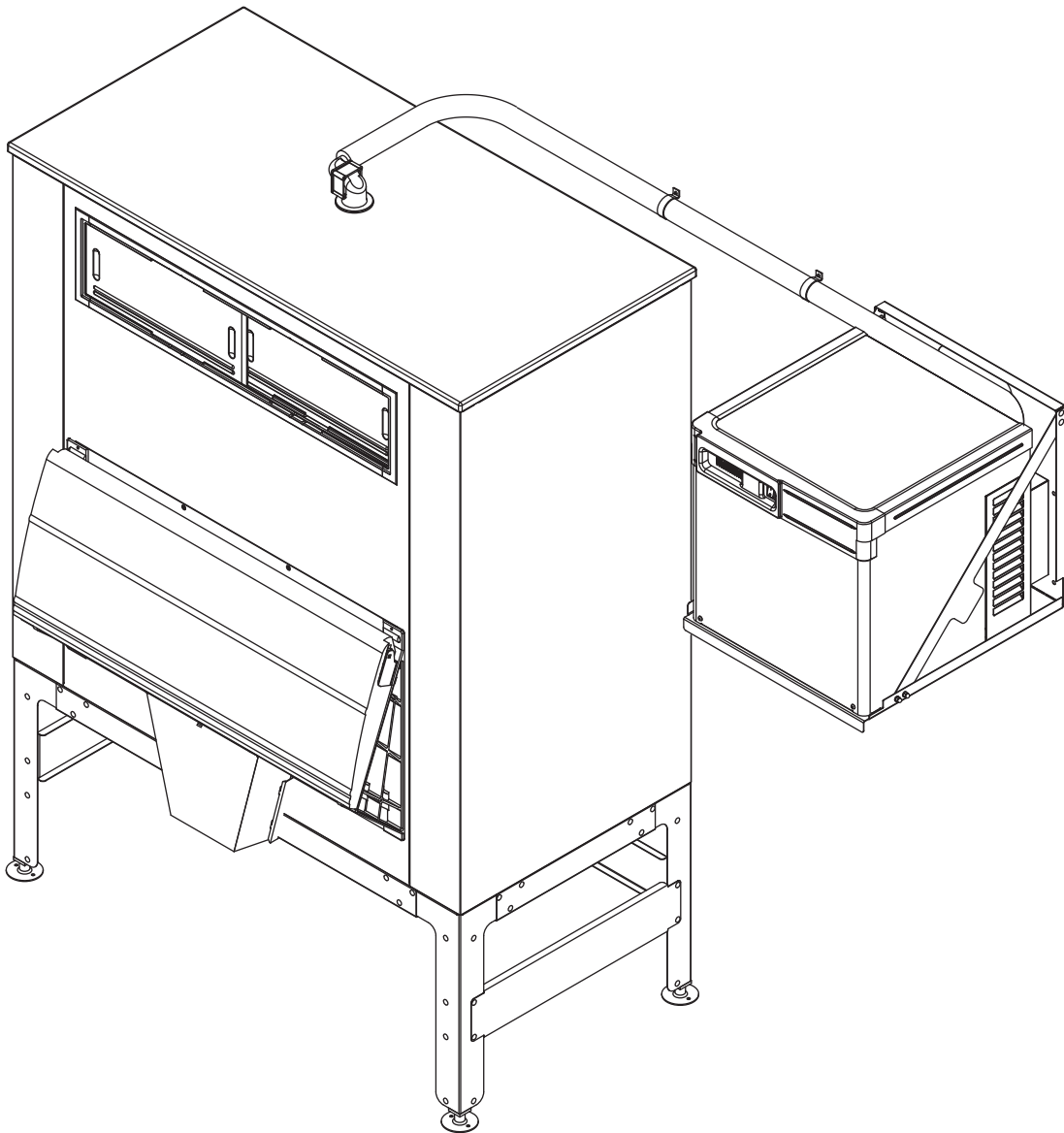
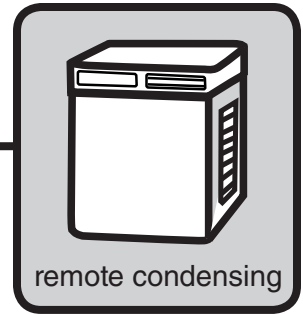


# Horizon Elite™ Ice Machine Models with RIDE™ Technology Installation Instructions for Ice Storage Bins

HCD/HMD/HCF/HMF1010RBS, HCD/HMD/HCF/HMF1410RBS  
HCD/HMD1010NBS, HCD/HMD1410NBS  
(See model number configurator on page 2 for details.)

Order parts online  
[www.follettice.com](http://www.follettice.com)



## Chewblet® Ice Machine Model Number Configurations

HC
C
1400
A
V
S


Icemaker	Voltage	Series	Condenser	Application	Configuration
MC Maestro™ Chewblet® (400 Series)	C 208-230/60/1 (icemaking head) <i>Self-contained only.</i>	400 up to 454 lbs (206kg)	A Air-cooled, self-contained W Water-cooled, self-contained	V Vision™ H Harmony™	S RIDE™ (RIDE remote ice delivery equipment)
HC Horizon Chewblet (1000, 1400, 1650 Series)	D 115/60/1 (icemaking head) <i>Self-contained and remote. If remote unit, high side is 208-230/60/1.</i>	1000/1010 up to 1036 lbs (471kg)	R Air-cooled, remote condensing unit N Air-cooled, no condensing unit for connection to parallel rack system	B Ice storage bin J Drop-in M Ice Manager diverter valve system	T Top-mount
HM Horizon Micro Chewblet	E 230/50/1 (icemaking head) <i>Self-contained only.</i> F 115/60/1 (icemaking head) <i>Remote only. High side is 208-230/60/3.</i>	1400/1410 up to 1450 lbs (658kg) 1650 up to 1580 lbs (717kg)			

### CAUTION!


- This appliance should be connected by a qualified person in accordance with applicable codes.
- If the supply cord is damaged, it must be replaced by the manufacturer, its service agent or similarly qualified persons in order to avoid a hazard.
- Connect to potable water supply only.
- This appliance can be used by children aged 8 years and above and persons with reduced physical, sensory, or mental capabilities, or lack of experience and knowledge if they have been given supervision or instruction concerning use of the appliance in a safe way and understand the hazards involved. Children should be supervised to ensure that they do not play with the appliance.
- This appliance is intended to be used for household and similar applications such as staff kitchen areas in shops, offices and other working environments; farm houses and by clients in hotels, motels and other residential type environments; bed and breakfast type environments; catering and similar non-retail applications.
- **WARNING!** To avoid a hazard due to instability of the appliance, it must be fixed in accordance with the instructions.

Read and complete the following 8 installation steps

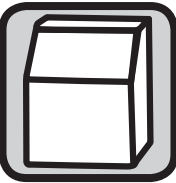
1 **Unpack** \_\_\_\_\_



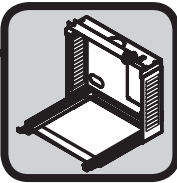
2 **Site preparation** \_\_\_\_\_




3 **Bin preparation** \_\_\_\_\_




4 **Louvered docking assembly** \_\_\_\_\_



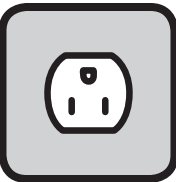
5 **Ice transport tube** \_\_\_\_\_



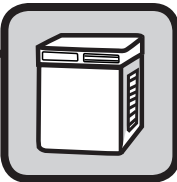
6 **External connection** \_\_\_\_\_



7 **Internal connection** \_\_\_\_\_



8 **Front cover** \_\_\_\_\_



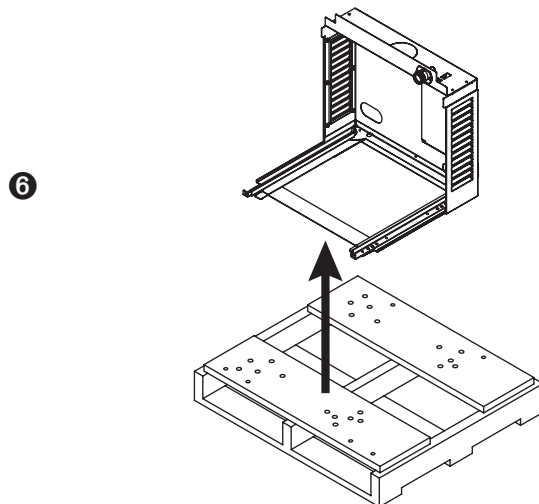
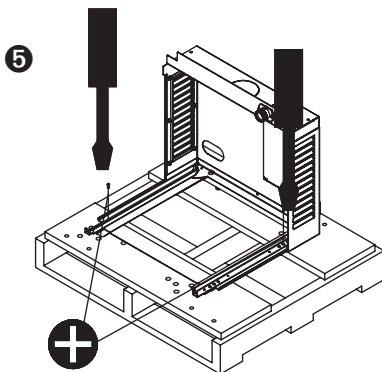
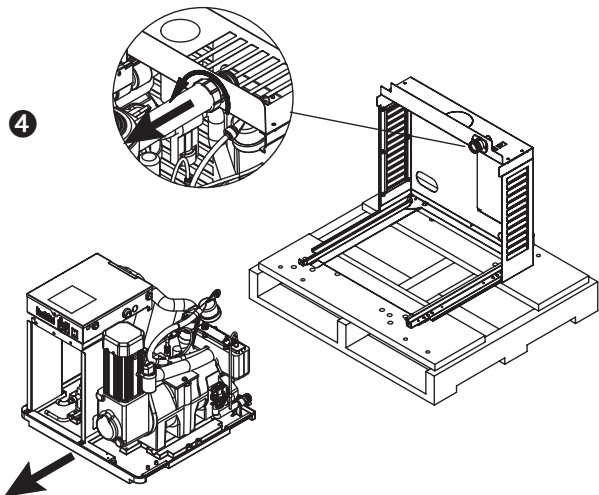
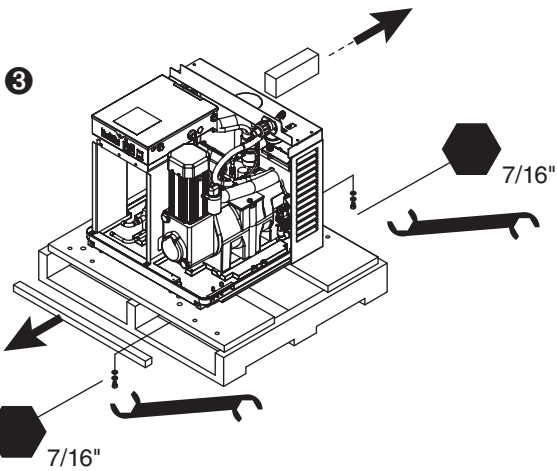
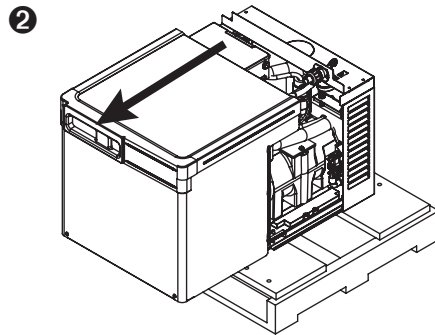
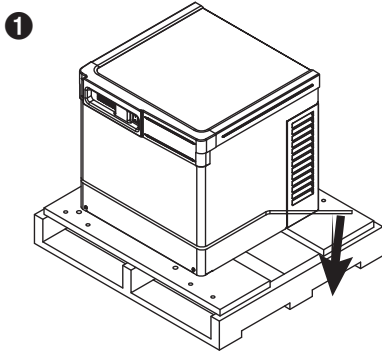
Carefully unpack and inspect the contents of your Follett ice machine.

Unpack

1



1.1 Unpack ice machine

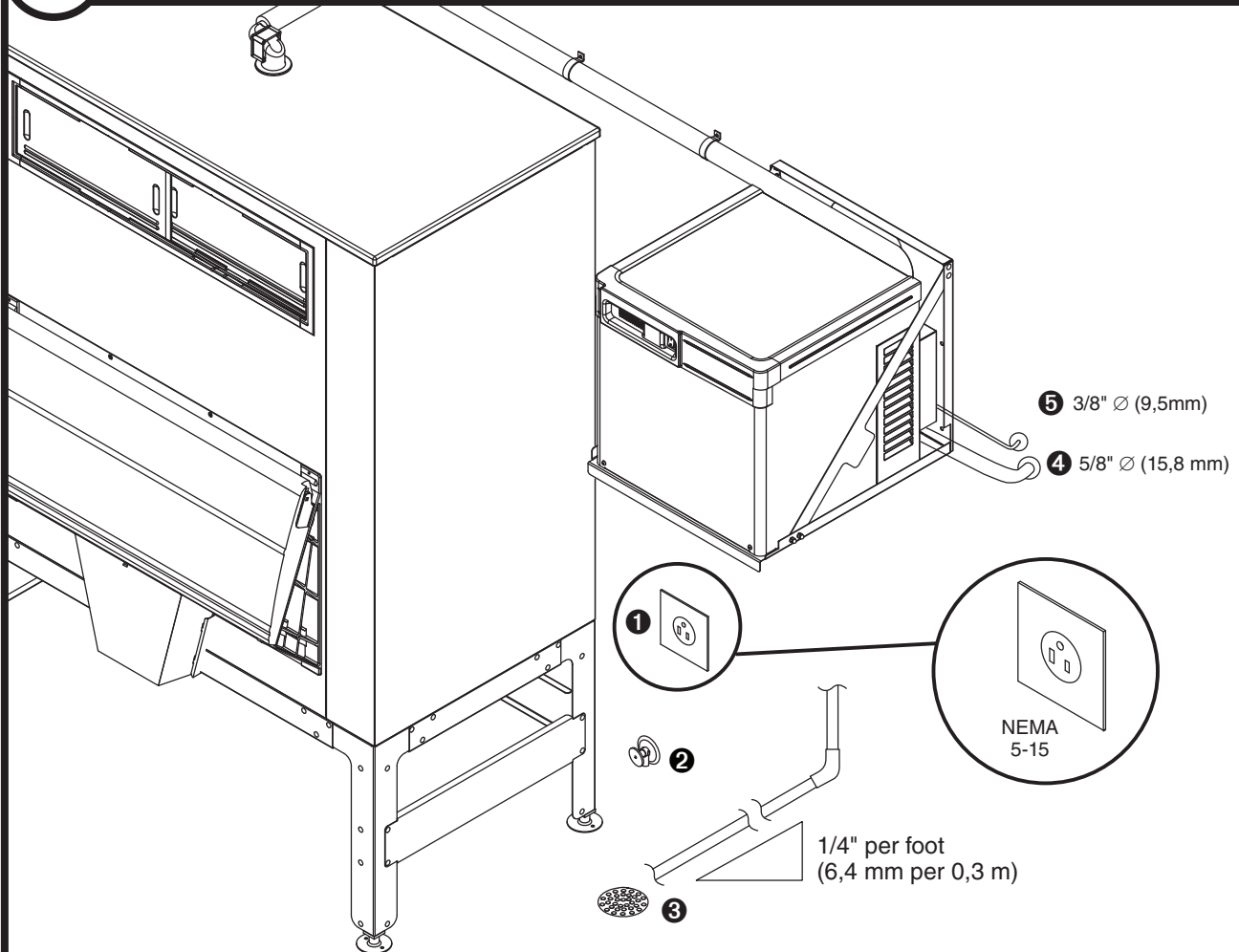


Prepare the installation site.

Provide drainage, water supply and electrical power to within 6 feet (2m) of ice machine in accordance with local and national codes. Outdoor installation of low side is not recommended and will void warranty.



2.1 Installation site requirements



Electrical ①

- 120/60/1-5 amps

Potable water supply ② (3/8" push-in internal connection, 3/8" OD tubing required)

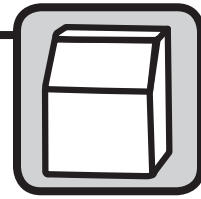
- 10-70 psi (69-483kpa)
- 45-90 F (7-32 C)
- Follett recommends the use of an in-line water filtration system (item# 00130286)
- This equipment is to be installed with adequate backflow protection to comply with applicable federal, state, and local codes

Drain ③ (3/4" MPT)

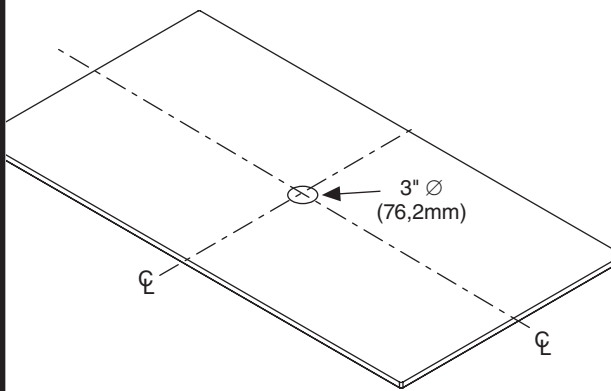
- The drain line from the ice machine must have at least 1/4" per foot pitch (6,4 mm/0,3 m)

Refrigeration lines ④

- 5/8" Ø (15,8 mm) diameter suction line (insulated) ④
- 3/8" Ø (9,5 mm) liquid line ⑤

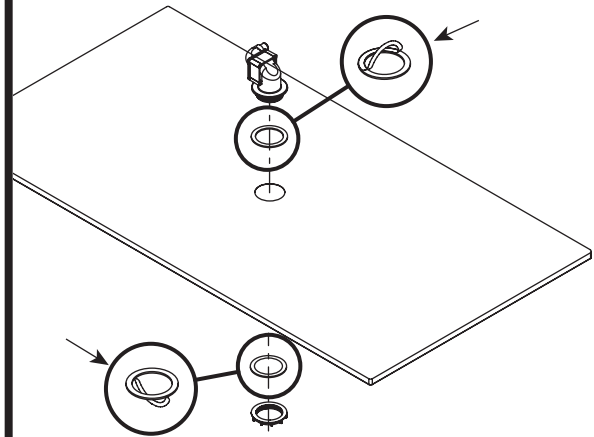


3.1 Bin top preparation



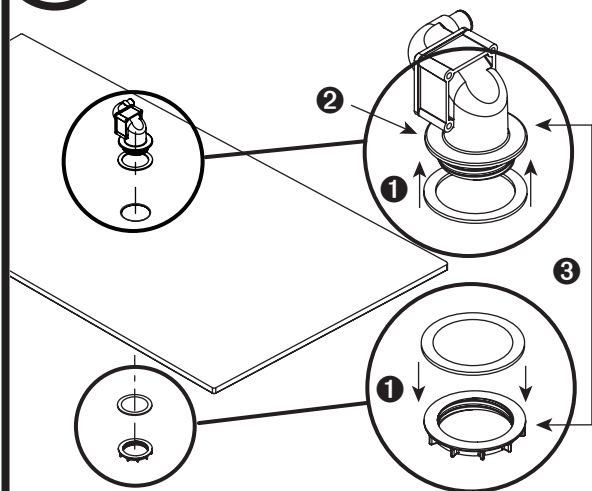
- Locate center of bin top
- Cut 3" (77,2mm) diameter hole in bin top

3.2 Bin top preparation



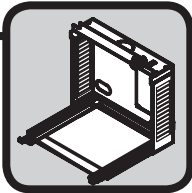
- Remove protective tape from gaskets

3.3 Bin top preparation

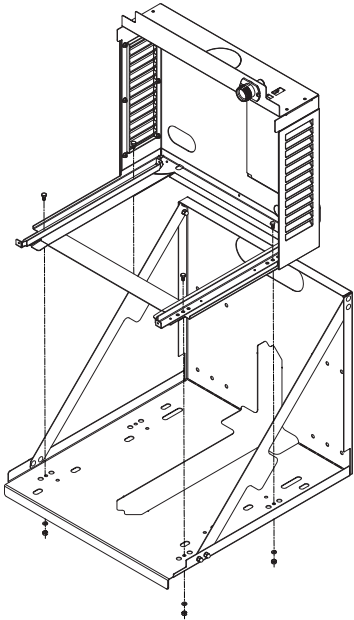


- Apply gaskets 1
- Install shuttle actuator 2 through top of bin and secure with locking nut 3

Install the louvered docking assembly.

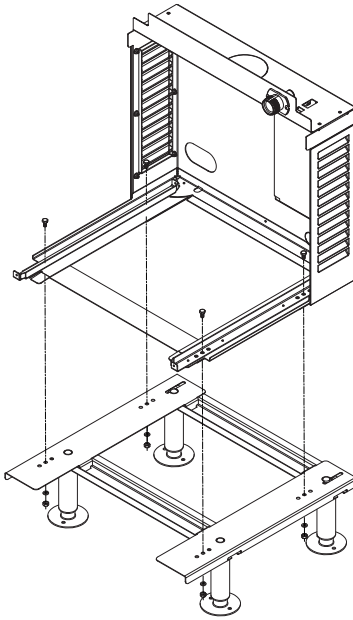


Wall bracket accessory



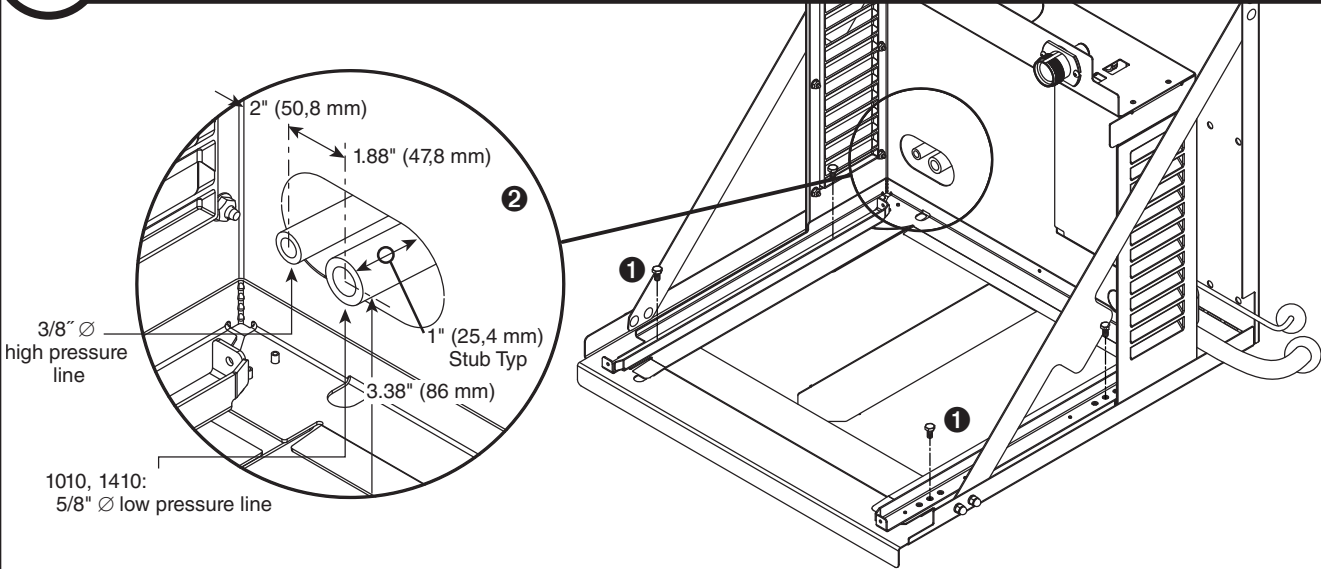
- Mount louvered docking assembly to wall bracket accessory

Machine stand accessory



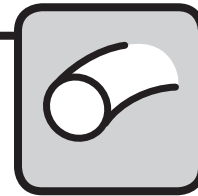
- Mount louvered docking assembly to machine stand accessory

4.1 Louvered docking assembly

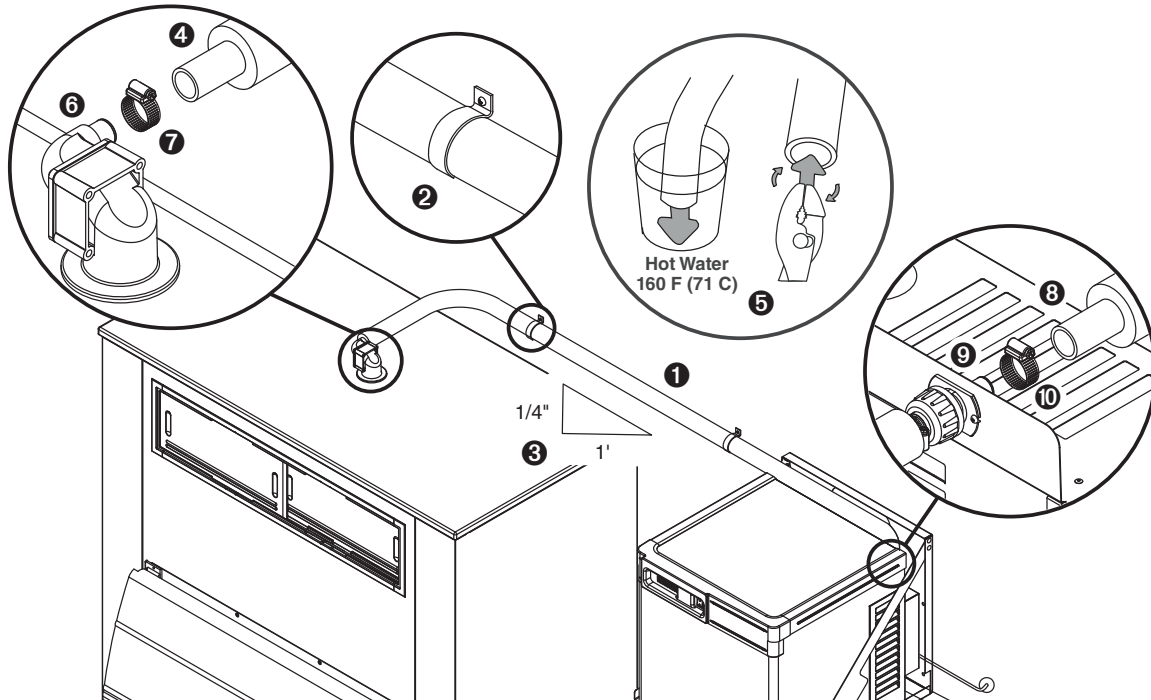


- Mount louvered docking assembly 1
- "Rough-in" the refrigerant piping 2

Install the ice transport tube.



5.1 Ice transport tube installation



**Ice transport tube tips**

- Insulate entire length of ice transport tube ①
- Secure ice transport tube ② as needed to prevent dips and traps from forming. For long tube runs see guide on page 13.
- Pitch ice transport tube at least 1/4" per foot (6,4mm/.3m) ③
- Ice transport tube must drain towards ice machine

**Ice transport tube to bin**

- Be sure tube ends are square ④
- Heat end of transport tube in cup of 160 F (71 C) hot water to soften and spread with pliers ⑤ before making connection to ease assembly
- Push ice transport tube onto ice machine nipple ⑥
- Install hose clamp ⑦

**Ice transport tube to Ice machine**

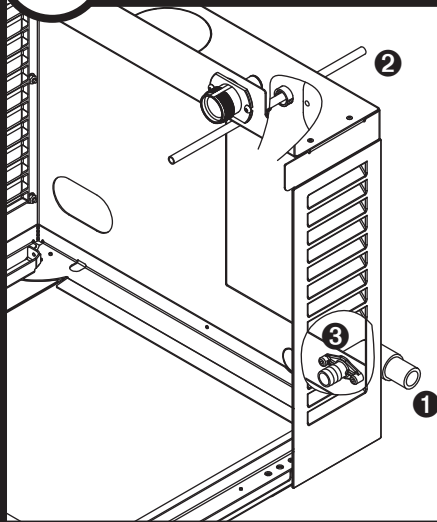
- Be sure tube ends are square ⑧
- Heat end of transport tube in cup of 160 F (71 C) hot water to soften and spread with pliers ⑤ before making connection to ease assembly
- Push ice transport tube onto ice machine nipple ⑨
- Install hose clamp ⑩



Connect utilities to louvered docking assembly.

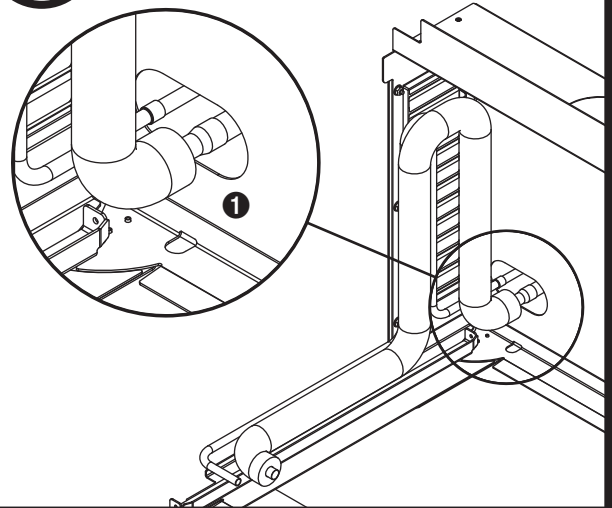


### 6.1 Water and drain



- Remove access panel if necessary.
- Install drain line ①.  
The rigid drain line from the ice machine must have at least 1/4" per foot pitch (6,4mm/0,3m).
- Rough-in ice machine potable water supply ②.  
3/8" push-in connection will be made at shut-off valve inside machine
- Apply Petrogel to barbed drain fitting ③
- Replace access panel.

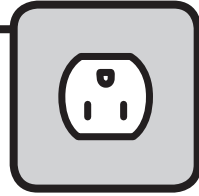
### 6.2 Refrigerant



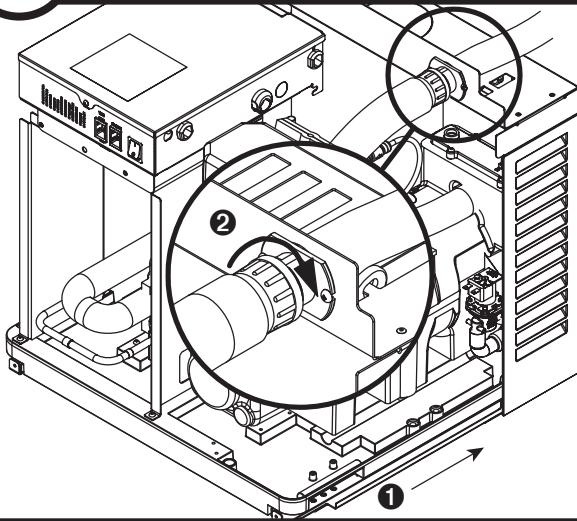
- Braze supplied expandable refrigerant lines in place ①

Connect louvered docking assembly to ice machine.

## Internal connections **7**

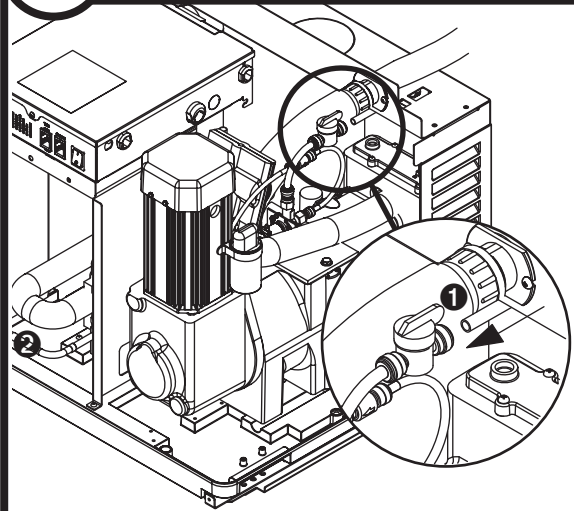


### 7.1 Ice transport tube installation



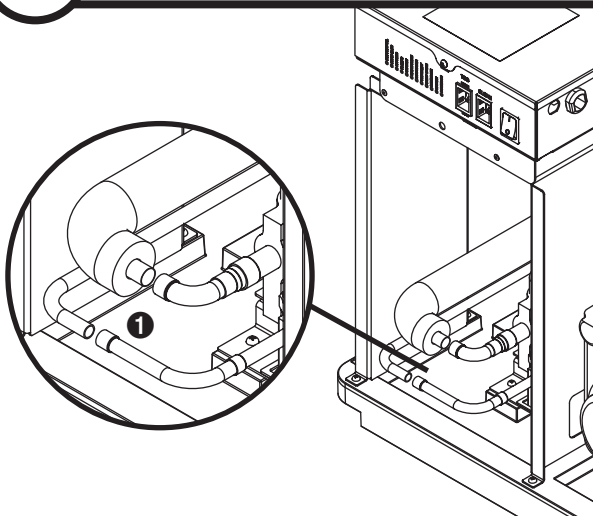
- Slide ice machine into louvered docking assembly *ensuring that drain tube is fully seated on barbed drain fitting* ❶
- Insert ice transport tube all the way into coupling and tighten nut firmly ❷

### 7.2 Water line



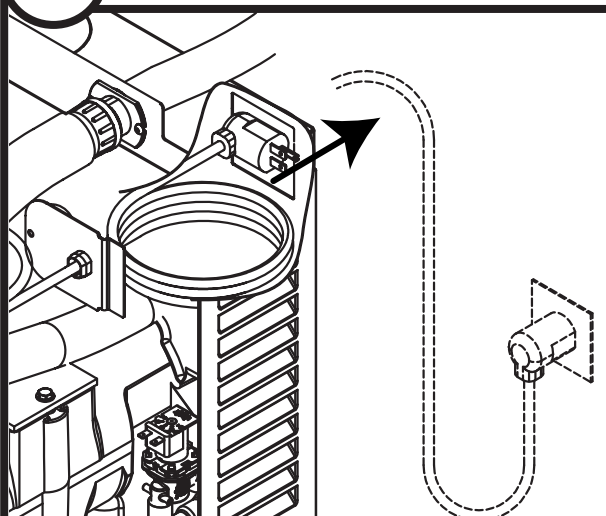
- Insert potable water line into valve ❶

### 7.3 Refrigeration lines



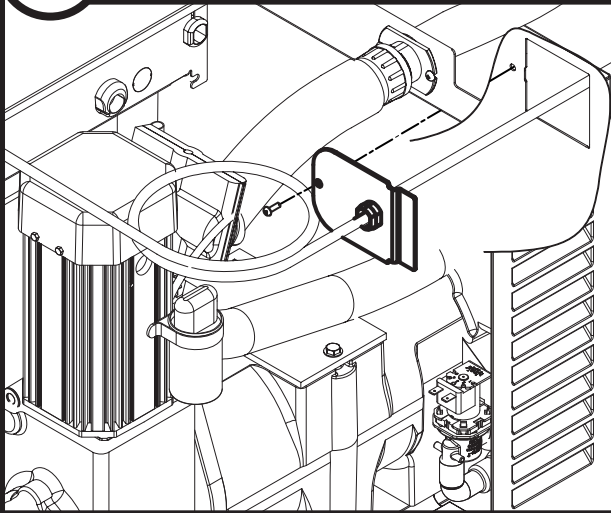
- Braze refrigerant lines ❶

### 7.4 Power cord



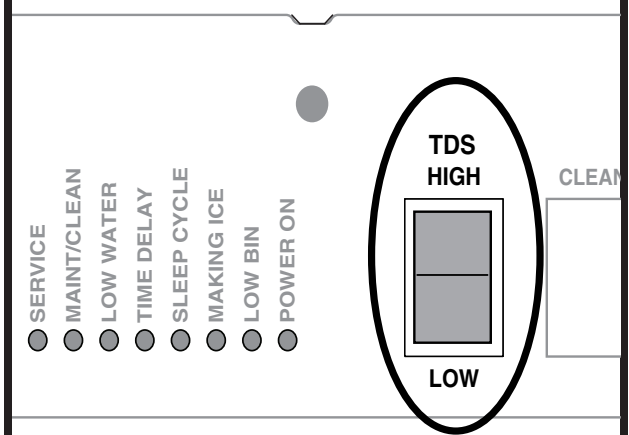
- Remove twist tie
- Carefully pass cord thru opening and plug into wall outlet

### 7.5 Power cord



- Position plate into opening and secure with supplied screw

### 7.6 TDS switch

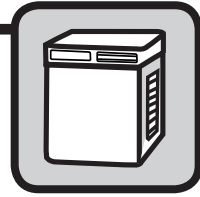


- Set the TDS switch on the electrical box:  
**HIGH:** for extended service life  
**LOW:** for low-scale water

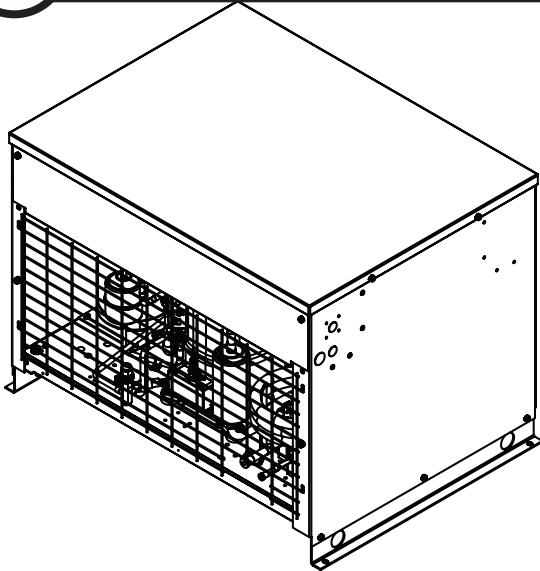
Install front cover to ice machine.

Front cover

8



### 8.1 Install condensing unit

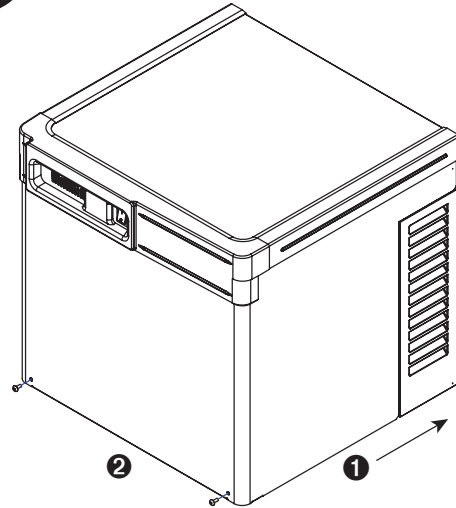


- Complete installation of condensing unit or connection to rack system.
- Required rack system capacity at 0 F (-18 C) evaporator (EPR supplied by installer).

1010N: 7,700 Btu/hr (1940 kcal/hr)

1410N: 10,000 Btu/hr (2519 kcal/hr)

### 8.2 Install ice machine front cover



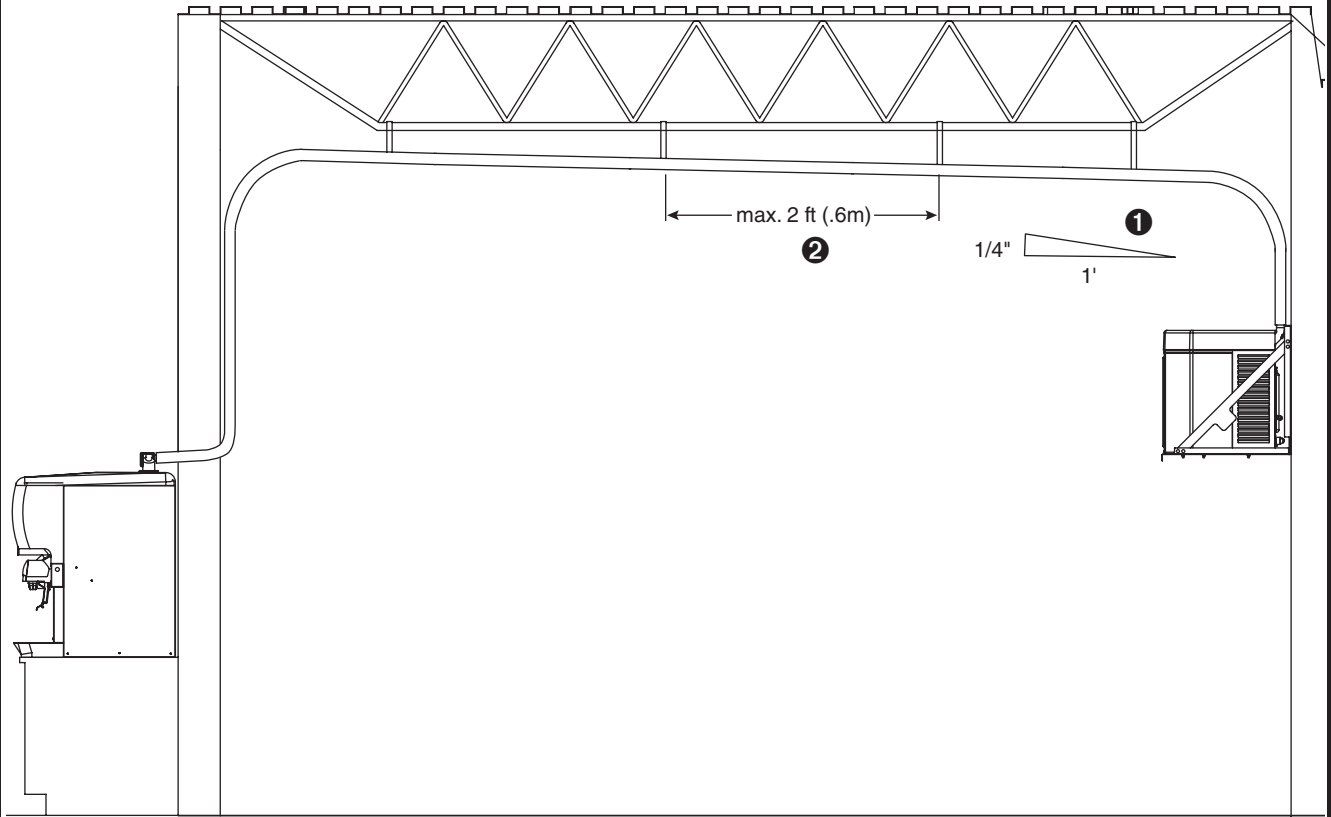
- Slide ice machine cover over machine ensuring that tabs on back of cover slip under louvers on back of louvered docking assembly ①
- Insert and tighten two screws through cover and into louvered docking assembly ②

### NOTICE

**Ice machine MUST be sanitized prior to operation!**

Consult Operation and Service Manual provided with ice machine for sanitizing instructions.

## Long tube run recommendations



- Pitch ice transport tube to allow melt water to drain towards ice machine ①
- Secure insulated ice transport tube at least every 2 ft (.6m) to prevent dips or traps ②





Horizon, Horizon Elite, Maestro, Harmony, Ice Manager, SafeCLEAN, Sani-Sponge, RIDE and Vision are trademarks of Follett Corporation.  
Chewblet is a registered trademark of Follett Corporation, registered in the US.



801 Church Lane • Easton, PA 18040, USA  
Toll free (877) 612-5086 • +1 (610) 252-7301  
[www.follettice.com](http://www.follettice.com)



01113257R00  
© Follet Corporation 4/16