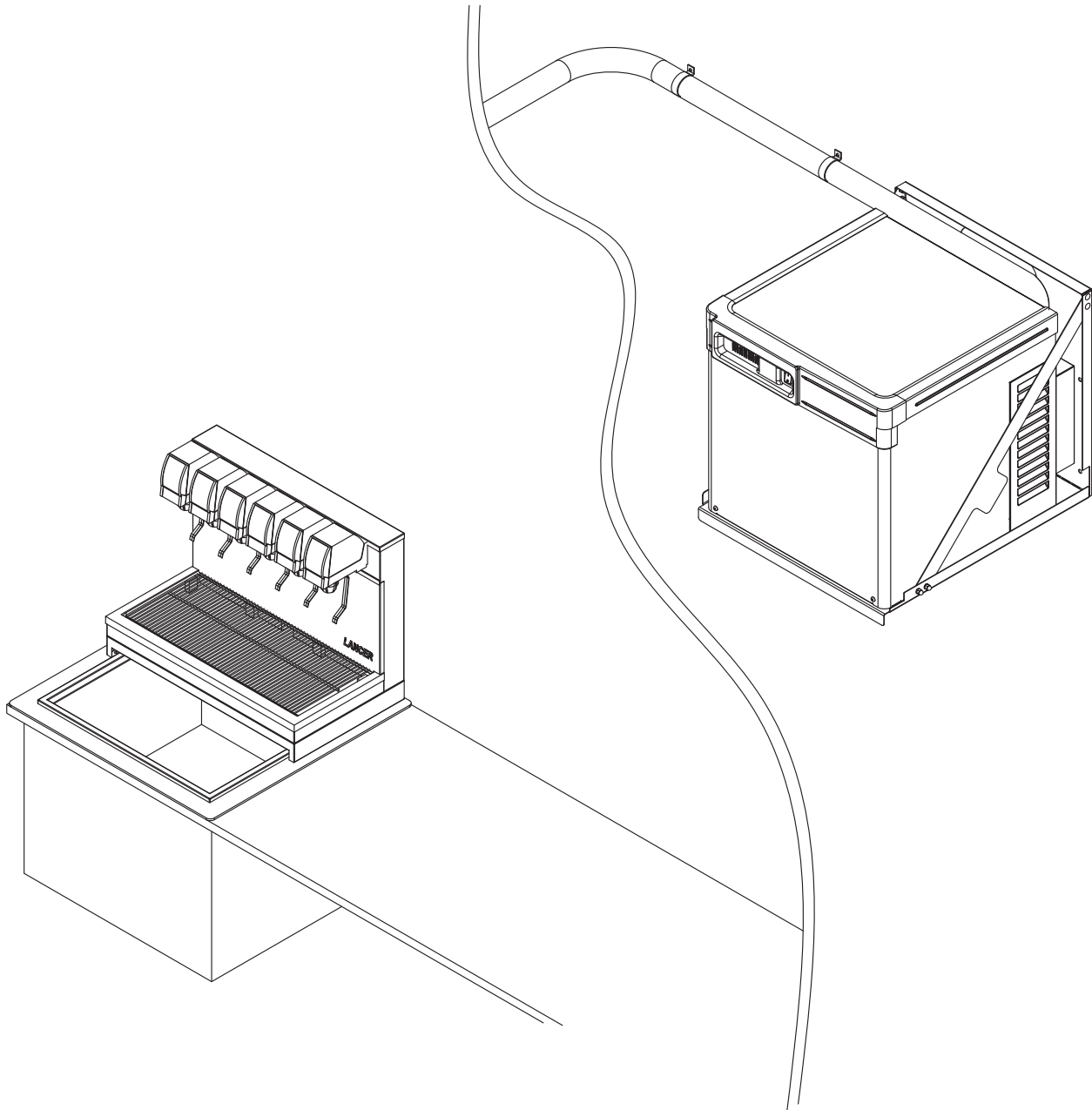
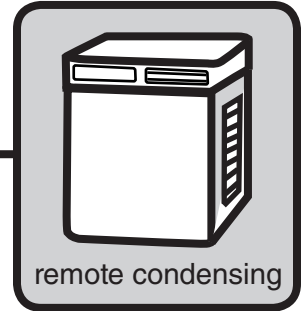


Horizon Elite™ Ice Machine Models with RIDE® Technology Installation Instructions for Drop-Ins

HCD/HMD/HCF/HMF1010RJS, HCD/HMD/HCF/HMF1410RJS,
HCD/HMD1010NJS, HCD/HMD1410NJS
(See model number configurator on page 2 for details.)

Order parts online
www.follettice.com



Chewblet® Ice Machine Model Number Configurations


Icemaker	Voltage	Series	Condenser	Application	Configuration
MC Maestro™ Chewblet® (400 Series)	C 208-230/60/1 (icemaking head) <i>Self-contained only.</i>	400 up to 454 lbs	A Air-cooled, self-contained	V Vision™	S RIDE™
HC Horizon Chewblet (1000, 1400, 1650 Series)	D 115/60/1 (icemaking head) <i>Self-contained and remote. If remote unit, high side is 208-230/60/1.</i>	(206kg)	W Water-cooled, self-contained	H Harmony™	(RIDE remote ice delivery equipment)
HM Horizon Micro Chewblet	E 230/50/1 (icemaking head) <i>Self-contained only.</i>	1000/1010 up to 1036 lbs (471kg)	R Air-cooled, remote condensing unit	B Ice storage bin	T Top-mount
	F 115/60/1 (icemaking head) <i>Remote only. High side is 208-230/60/3.</i>	1400/1410 up to 1450 lbs (658kg)	N Air-cooled, no condensing unit for connection to parallel rack system	J Drop-in	
		1650 up to 1580 lbs (717kg)		M Ice Manager diverter valve system	

CAUTION!


- This appliance should be connected by a qualified person in accordance with applicable codes.
- If the supply cord is damaged, it must be replaced by the manufacturer, its service agent or similarly qualified persons in order to avoid a hazard.
- Connect to potable water supply only.
- This appliance can be used by children aged 8 years and above and persons with reduced physical, sensory, or mental capabilities, or lack of experience and knowledge if they have been given supervision or instruction concerning use of the appliance in a safe way and understand the hazards involved. Children should be supervised to ensure that they do not play with the appliance.
- This appliance is intended to be used for household and similar applications such as staff kitchen areas in shops, offices and other working environments; farm houses and by clients in hotels, motels and other residential type environments; bed and breakfast type environments; catering and similar non-retail applications.
- **WARNING!** To avoid a hazard due to instability of the appliance, it must be fixed in accordance with the instructions.

Read and complete the following 8 installation steps


1 **Unpack**



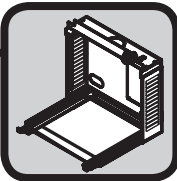
2 **Site preparation**




3 **Dispenser preparation**




4 **Louvered docking assembly**



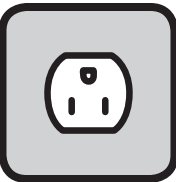
5 **Ice transport tube**



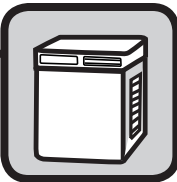
6 **External connection**



7 **Internal connection**



8 **Front cover**



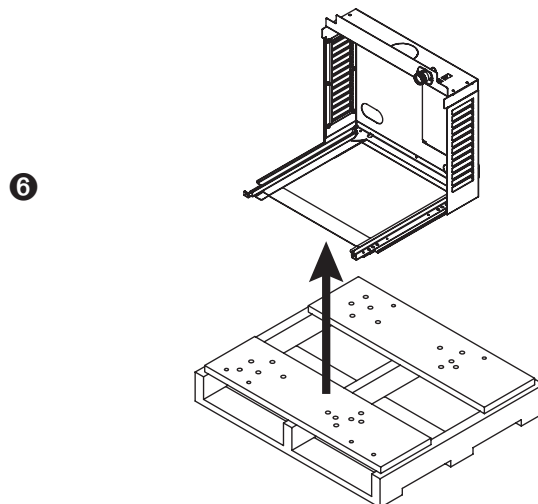
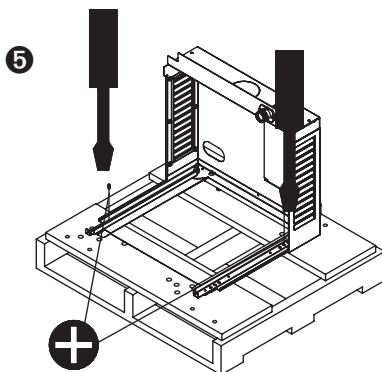
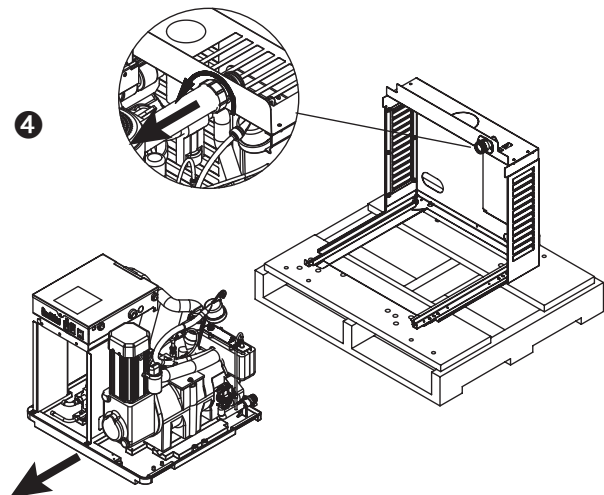
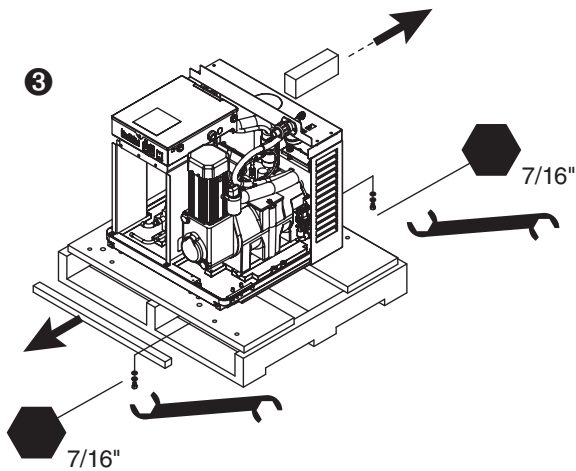
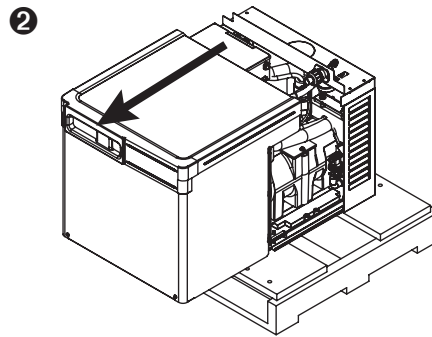
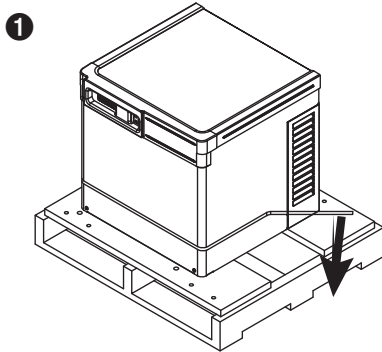
Carefully unpack and inspect the contents of your Follett ice machine.

Unpack

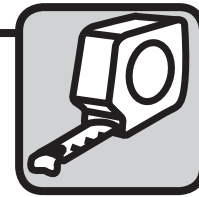
1



1.1 Unpack ice machine

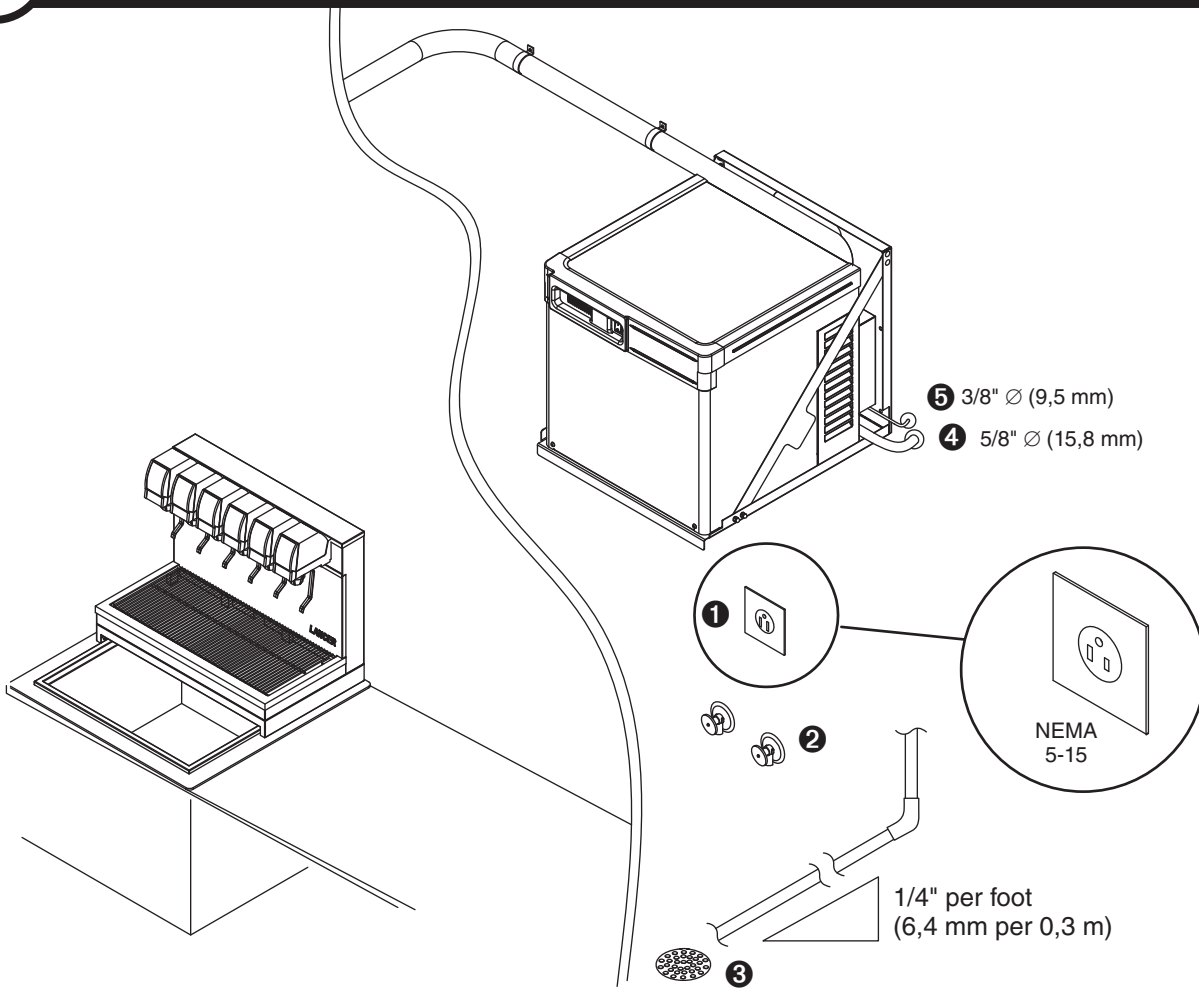


Prepare the installation site.



Provide drainage, water supply and electrical power to within 6 feet (2m) of ice machine in accordance with local and national codes. Outdoor installation of low side is not recommended and will void warranty.

2.1 Installation site requirements



Electrical 1

- 120/60/1-5 amps

Potable water supply 2 (3/8" push-in internal connection, 3/8" OD tubing required)

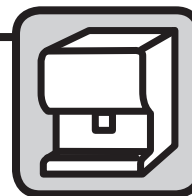
- 10-70 psi (69-483kpa)
- 45-90 F (7-32 C)
- Follett recommends the use of an in-line water filtration system (item# 00130286)
- This equipment is to be installed with adequate backflow protection to comply with applicable federal, state, and local codes

Drain 3 (3/4" MPT)

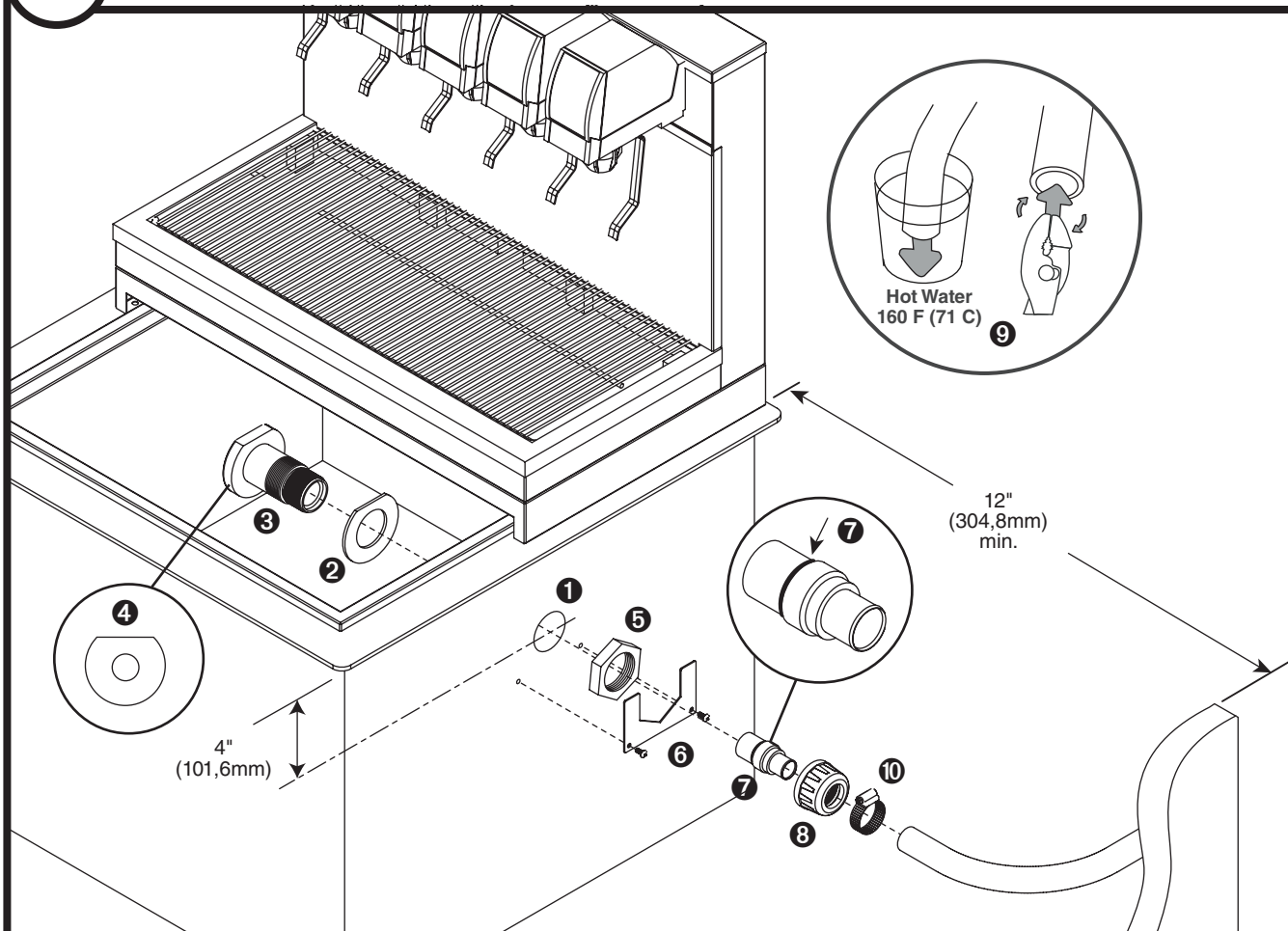
- The drain line from the ice machine must have at least 1/4" per foot pitch (6,4 mm/0,3 m)

Refrigeration lines 4

- 5/8" Ø (15,8 mm) diameter suction line (insulated) 4
- 3/8" Ø (9,5 mm) liquid line 5

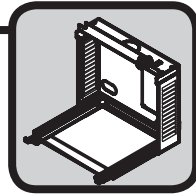


3.1 Dispenser preparation

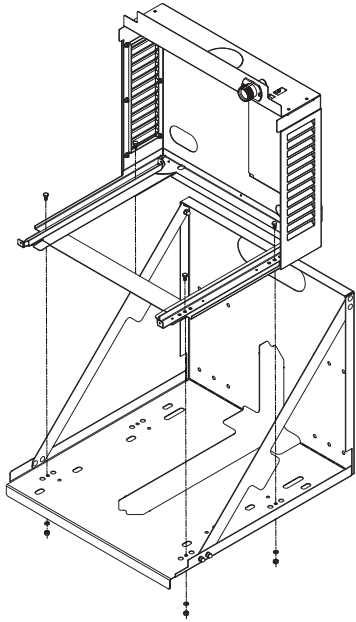


- Determine best route for ice transport tube run. **Note:** 12" (304,8mm) clearance is required.
- Drill 1 3/4" (44,5mm) hole through either side of dispenser ①
- Install gasket ② onto bulkhead fitting ③
- Attach bulkhead fitting with flat up ④ and tighten bulkhead nut ⑤
- Position and secure nut locking plate ⑥ with supplied screws
- Verify installation of O-ring on stainless steel ice transport tube coupling ⑦
- Insert stainless steel ice transport tube coupling ⑦ into bulkhead fitting and secure with coupling cap ⑧
- Heat end of transport tube in cup of 160 F (71 C) hot water to soften and spread with pliers ⑨ before making connection to ease assembly
- Attach ice transport tube to coupling with supplied hose clamp ⑩

Install the louvered docking assembly.

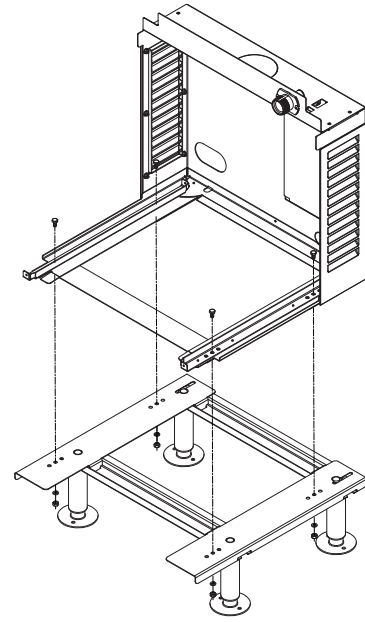


Wall bracket accessory



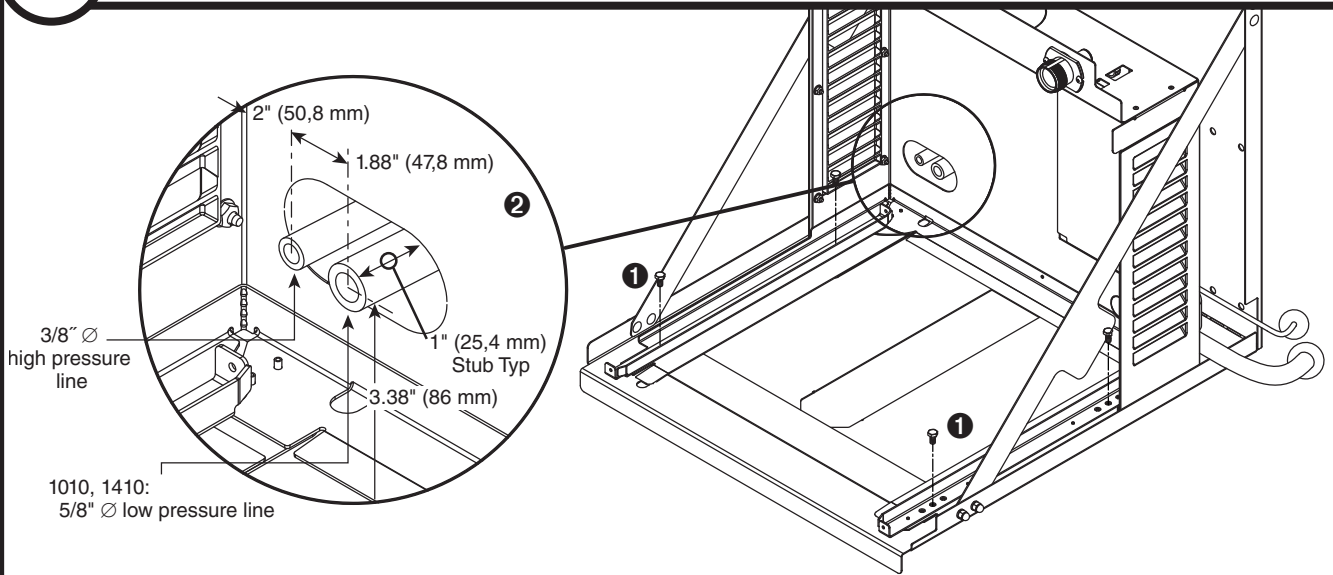
- Mount louvered docking assembly to wall bracket accessory

Machine stand accessory



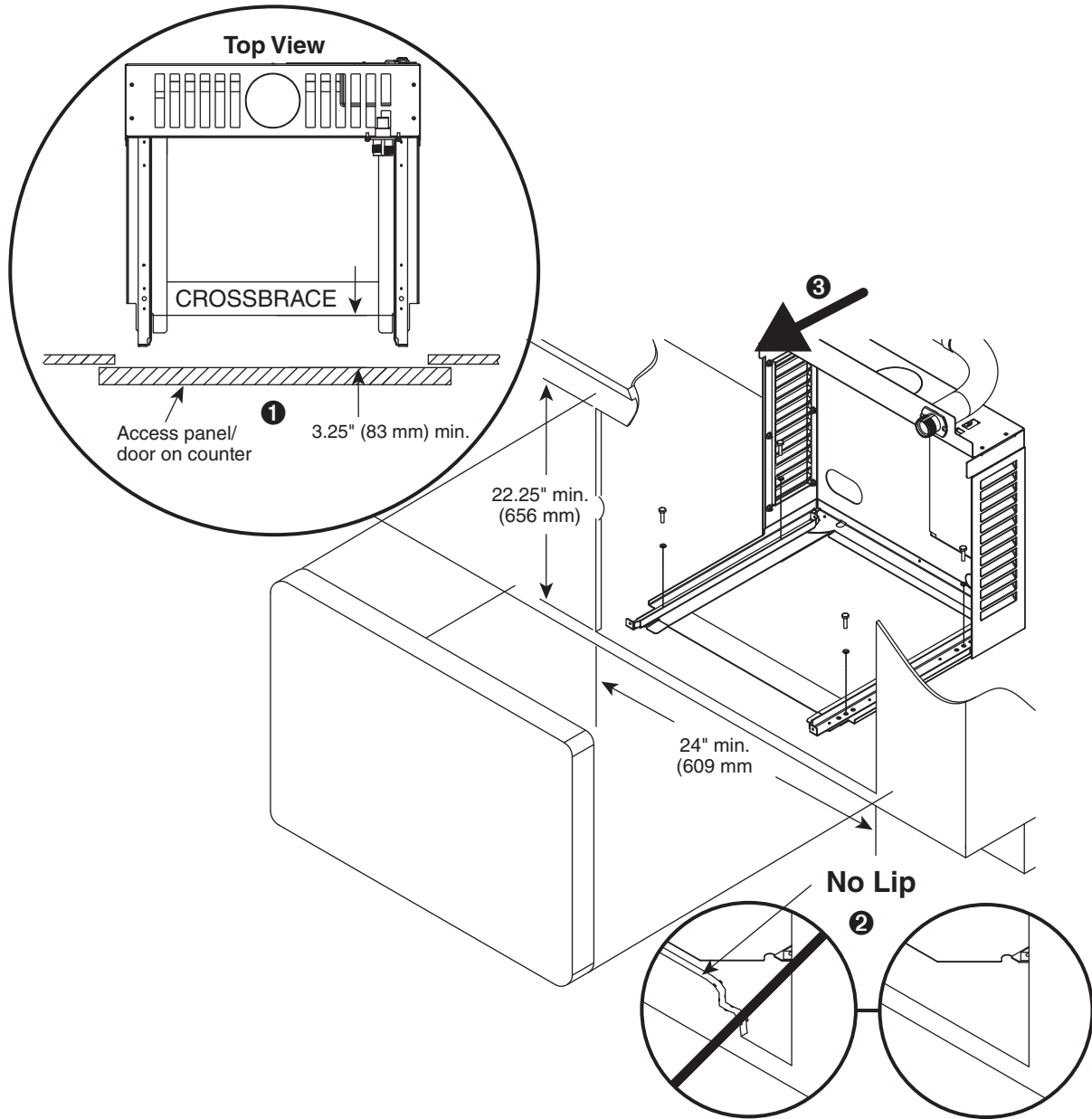
- Mount louvered docking assembly to machine stand accessory

4.1 Louvered docking assembly



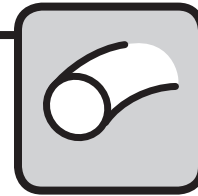
- Mount louvered docking assembly ①
- “Rough-in” the refrigerant piping ②

4.2 Undercounter installation requirements

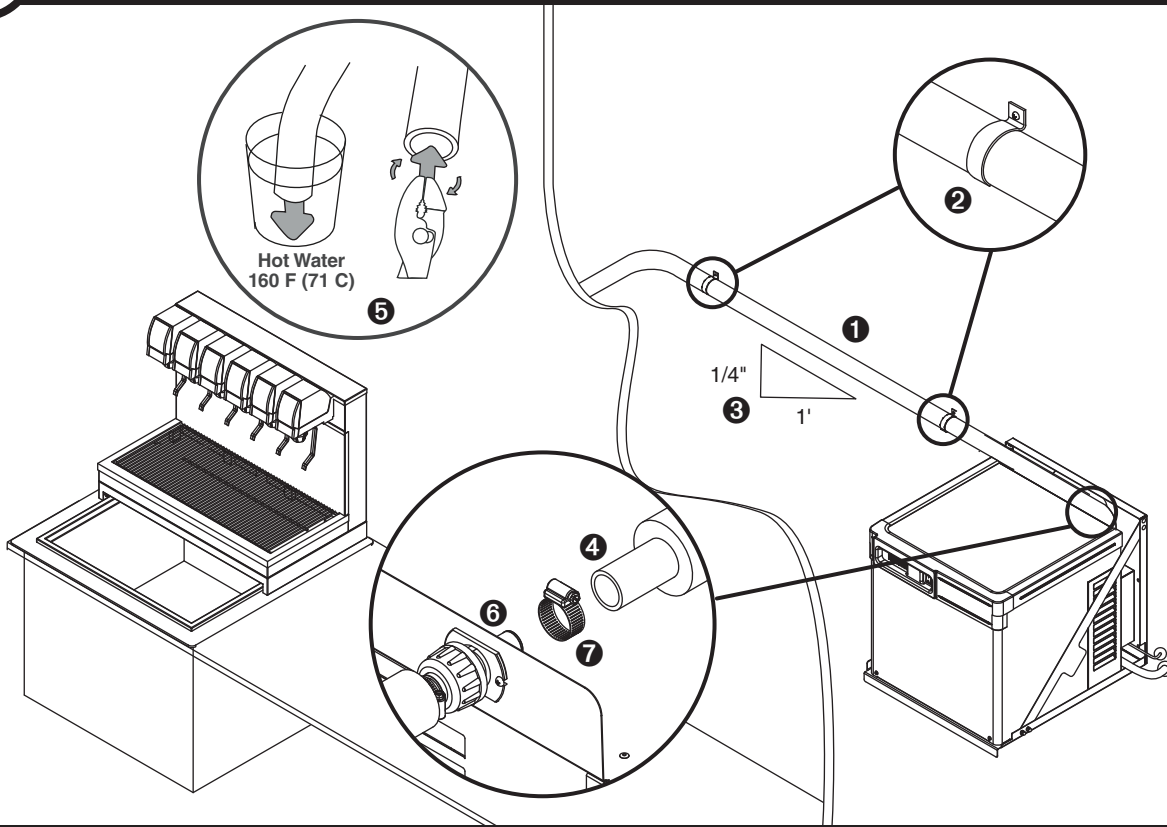


DOCKING STATION

- Position and screw louvered docking assembly to the bottom of counter inside of access panel/ door min. of 3.25" (83 mm) from the front edge of the cross brace ①
- The mounting surface for the louvered docking assembly must be solid. Do not mount directly onto runners or channels.
- There must be no lip or edge that would hinder the ice machine from sliding in or out of the louvered docking station ②
- Ice machine must be installed facing forward as shown for service accessibility ③



5.1 Ice transport tube installation from dispenser to ice machine



Ice transport tube tips

- Insulate entire length of ice transport tube ①
- Secure ice transport tube ② as needed to prevent dips and traps from forming. For long tube runs see guide on page 14.
- Pitch ice transport tube at least 1/4" per foot (6,4mm/.3m) ③
- Ice transport tube must drain towards ice machine

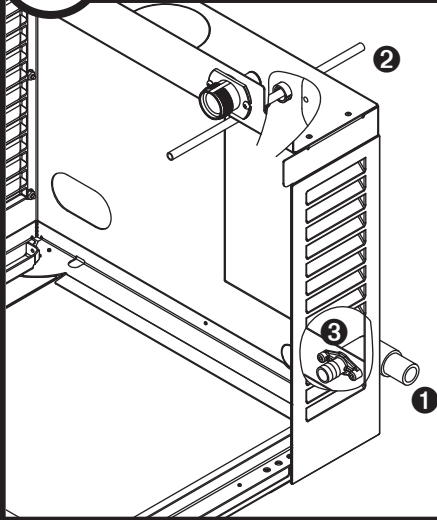
Ice transport tube to Ice machine

- Be sure tube ends are square ④
- Heat end of transport tube in cup of 160 F (71 C) hot water to soften and spread with pliers ⑤ before making connection to ease assembly
- Push ice transport tube onto ice machine nipple ⑥
- Install hose clamp ⑦

Connect utilities to louvered docking assembly.

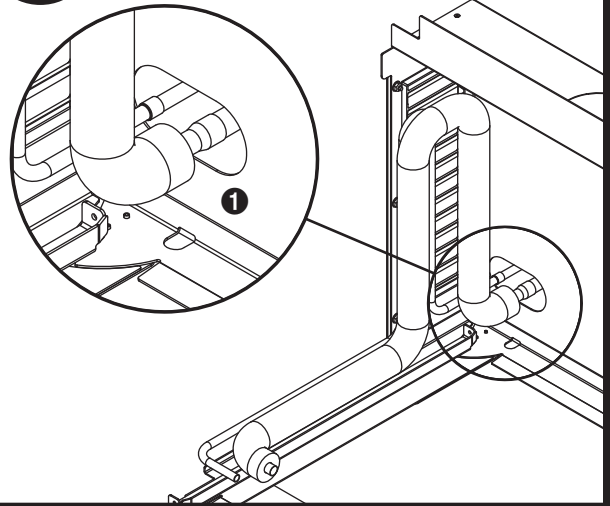


6.1 Water and drain



- Remove access panel if necessary.
- Install drain line ①.
The rigid drain line from the ice machine must have at least 1/4" per foot pitch (6,4mm/0,3m).
- Rough-in ice machine potable water supply ②.
3/8" push-in connection will be made at shut-off valve inside machine
- Apply Petrogel to barbed drain fitting ③
- Replace access panel.

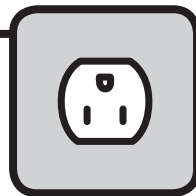
6.2 Refrigerant



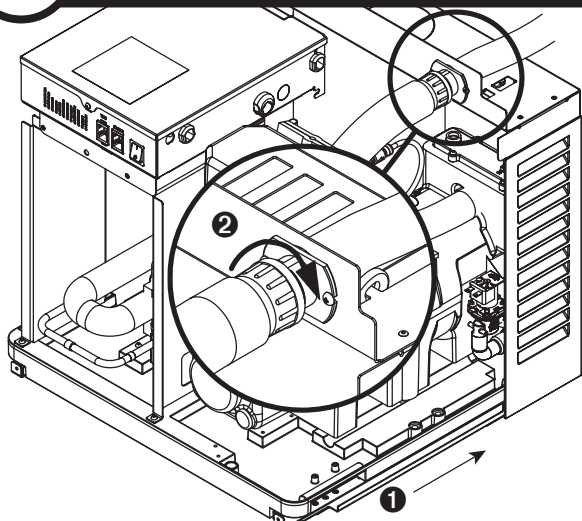
- Braze supplied expandable refrigerant lines in place ①

Connect louvered docking assembly to ice machine.

Internal connections **7**

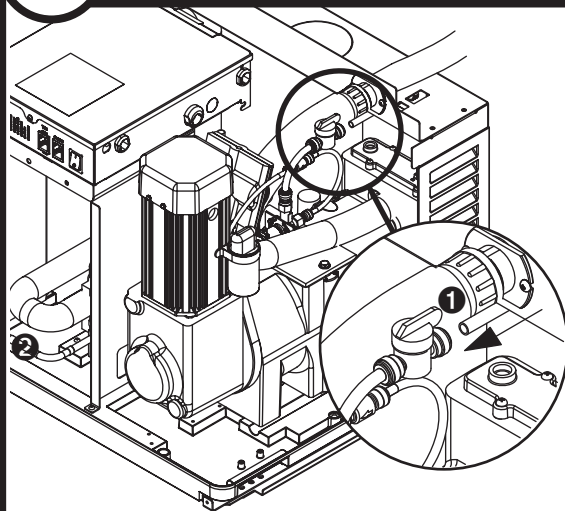


7.1 Ice transport tube installation



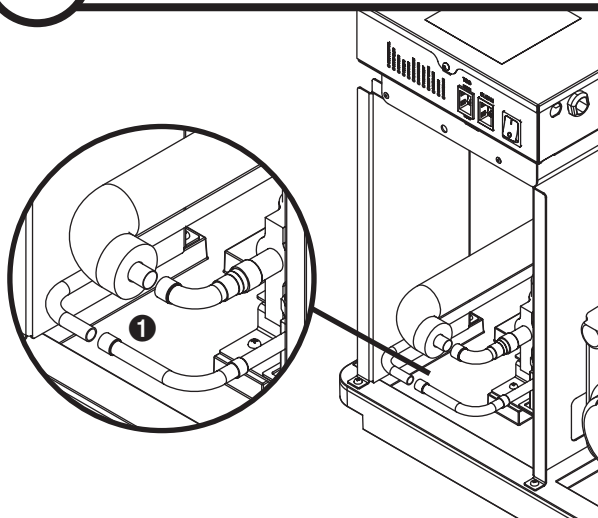
- Slide ice machine into louvered docking assembly *ensuring that drain tube is fully seated on barbed drain fitting* ①
- Insert ice transport tube all the way into coupling and tighten nut firmly ②

7.2 Water line



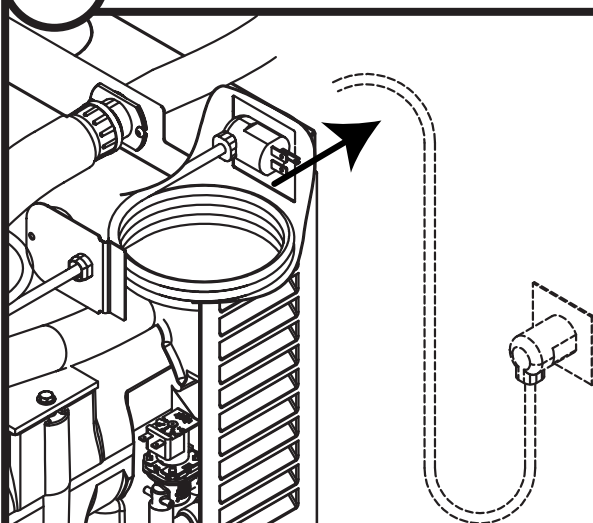
- Insert potable water line into valve ①

7.3 Refrigeration lines



- Braze refrigerant lines ①

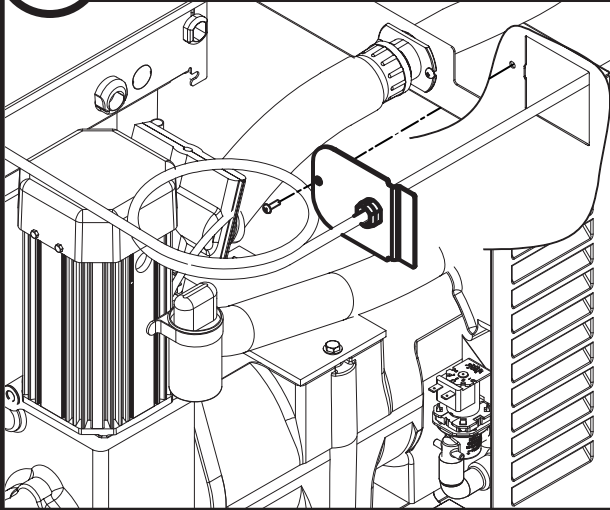
7.4 Power cord



- Remove twist tie
- Carefully pass cord thru opening and plug into wall outlet

7.5

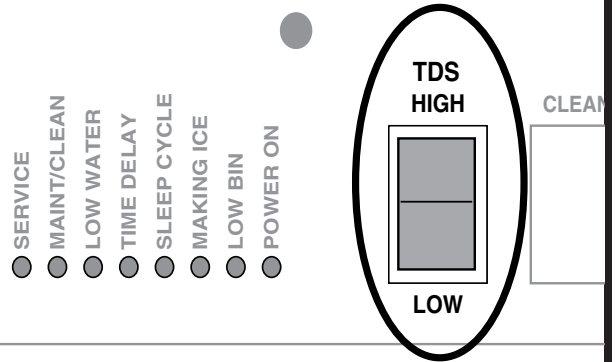
Power cord



- Position plate into opening and secure with supplied screw

7.6

TDS switch

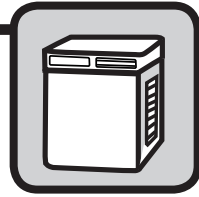


- Set the TDS switch on the electrical box:
HIGH: for extended service life
LOW: for low-scale water

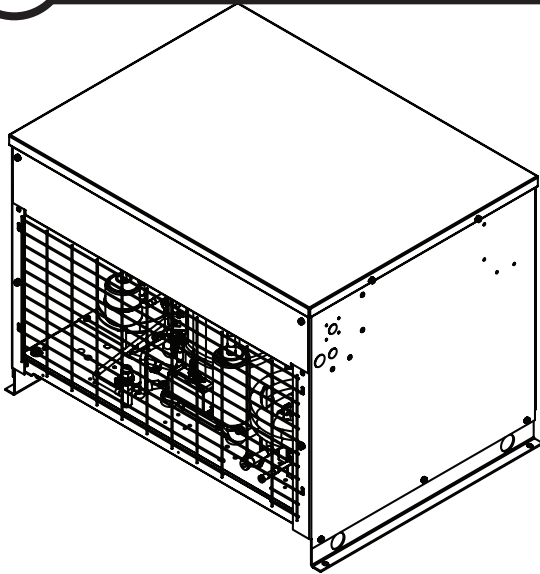
Install front cover to ice machine.

Front cover

8



8.1 Install condensing unit

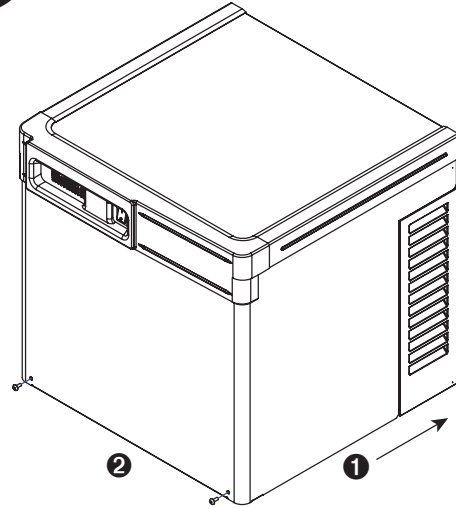


- Complete installation of condensing unit or connection to rack system.
- Required rack system capacity at 0 F (-18 C) evaporator (EPR supplied by installer).

1010N: 7,700 Btu/hr (1940 kcal/hr)

1410N: 10,000 Btu/hr (2519 kcal/hr)

8.2 Install ice machine front cover



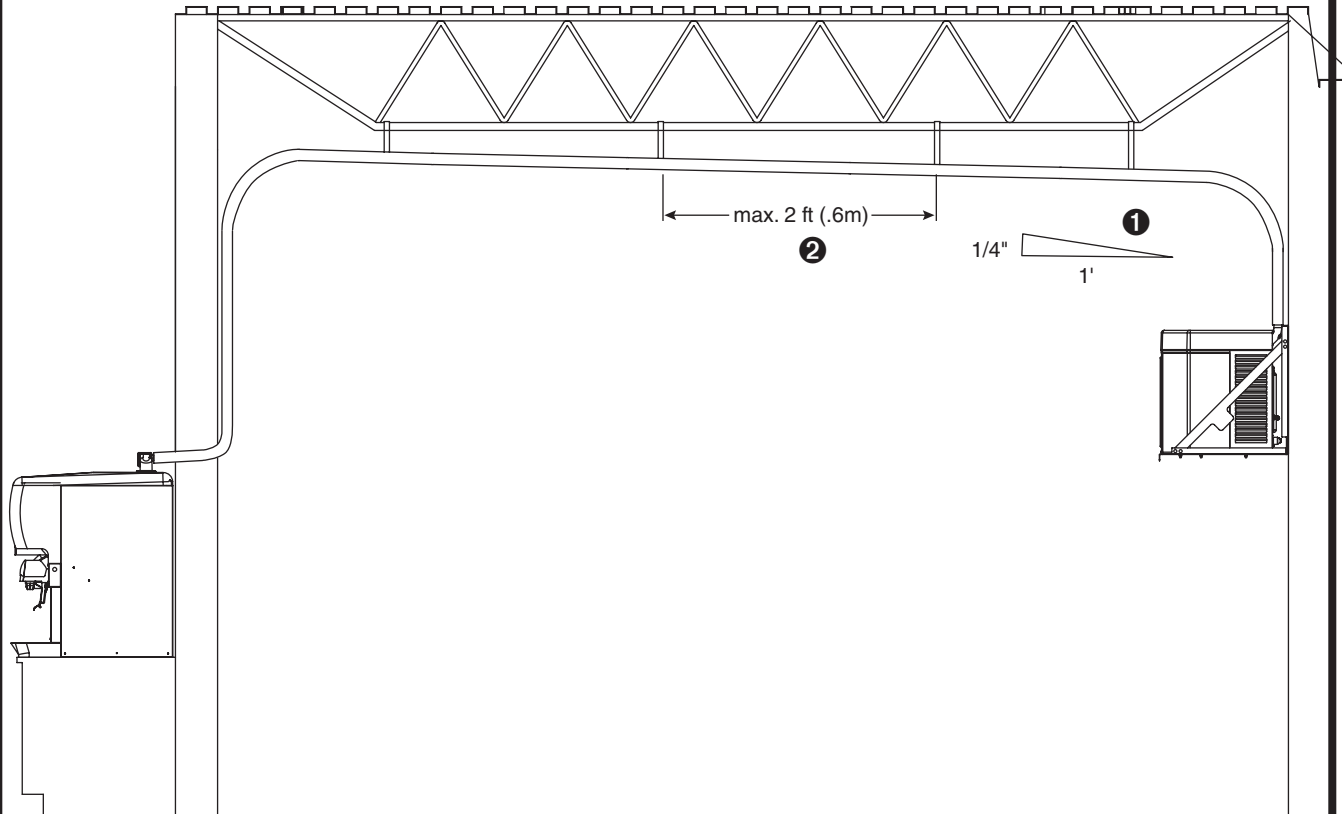
- Slide ice machine cover over machine ensuring that tabs on back of cover slip under louvers on back of louvered docking assembly ①
- Insert and tighten two screws through cover and into louvered docking assembly ②

NOTICE

Ice machine MUST be sanitized prior to operation!

Consult Operation and Service Manual provided with ice machine for sanitizing instructions.

Long tube run recommendations



- Pitch ice transport tube to allow melt water to drain towards ice machine ①
- Secure insulated ice transport tube at least every 2 ft (.6m) to prevent dips or traps ②

Horizon, Horizon Elite, Maestro, Harmony, Ice Manager, SafeCLEAN, Sani-Sponge and Vision are trademarks of Follett Corporation.
Chewblet, RIDE and Follett are registered trademarks of Follett Corporation, registered in the US.



801 Church Lane • Easton, PA 18040, USA
Toll free (877) 612-5086 • +1 (610) 252-7301
www.follettice.com



01113299R00

© Follet Corporation 4/16