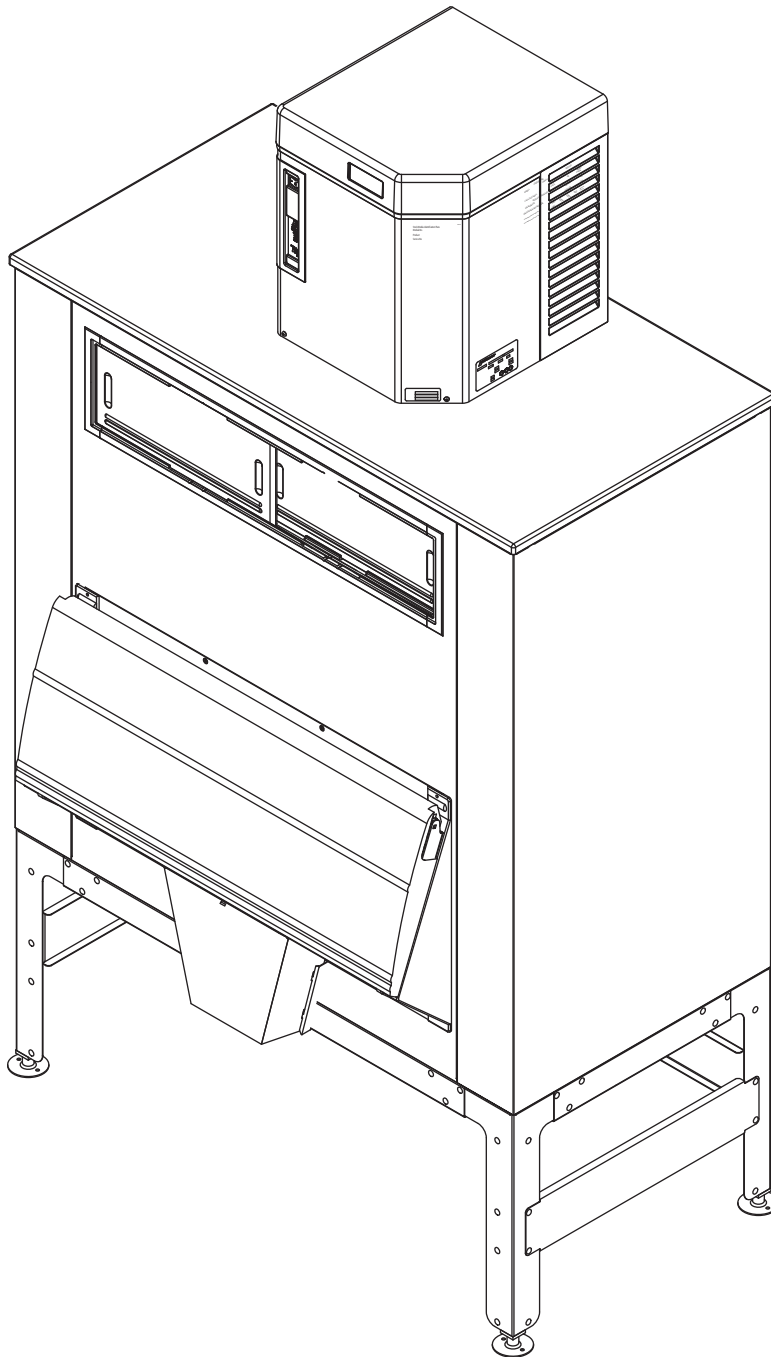
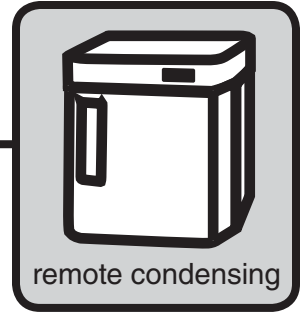


Horizon™ Ice Machine Installation Instructions for Ice Storage Bin Top-mount Applications

HCD/HMD/HCF/HMF1000RBT, HCD/HMD/HCF/HMF1400RBT, HCD/HMD/HCF/HMF1650RBT,
HCD1000NBT, HMD1000NBT, HCD1400NBT, HMD1400NBT, HCD1650NBT, HMD1650NBT
(See model number configurator on page 2 for details.)

Order parts online
www.follettice.com




Chewblet® Ice Machine Model Number Configurations

HC
C
1400
A
V
S


Icemaker	Voltage	Series	Condenser	Application	Configuration
MC Maestro™ Chewblet® (400 Series)	C 208-230/60/1 (icemaking head) <i>Self-contained only.</i>	400 up to 454 lbs (206kg)	A Air-cooled, self-contained W Water-cooled, self-contained	V Vision™ H Harmony™	S RIDE™ <i>(RIDE remote ice delivery equipment)</i>
HC Horizon Chewblet (1000, 1400, 1650 Series)	D 115/60/1 (icemaking head) <i>Self-contained and remote. If remote unit, high side is 208-230/60/1.</i>	1000 up to 1036 lbs (471kg)	R Air-cooled, remote condensing unit N Air-cooled, no condensing unit for connection to parallel rack system	B Ice storage bin J Drop-in M Ice Manager diverter valve system	T Top-mount
HM Horizon Micro Chewblet	E 230/50/1 (icemaking head) <i>Self-contained only.</i> F 115/60/1 (icemaking head) <i>Remote only. High side is 208-230/60/3.</i>	1400 up to 1450 lbs (658kg) 1650 up to 1580 lbs (717kg)			

Read and complete the following 8 installation steps

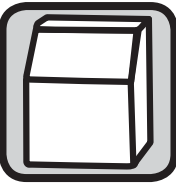
1 **Unpack** _____




2 **Site preparation** _____




3 **Bin preparation** _____




4 **Louvered docking assembly** _____



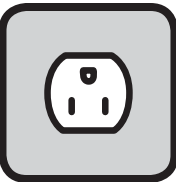
5 **Ice transport tube** _____




6 **External connection** _____



7 **Internal connection** _____



8 **Front cover** _____



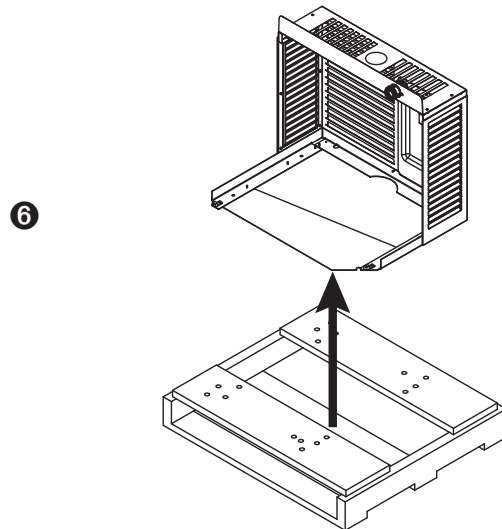
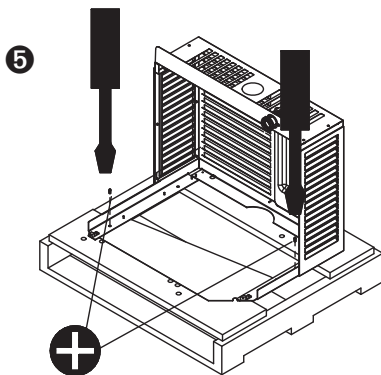
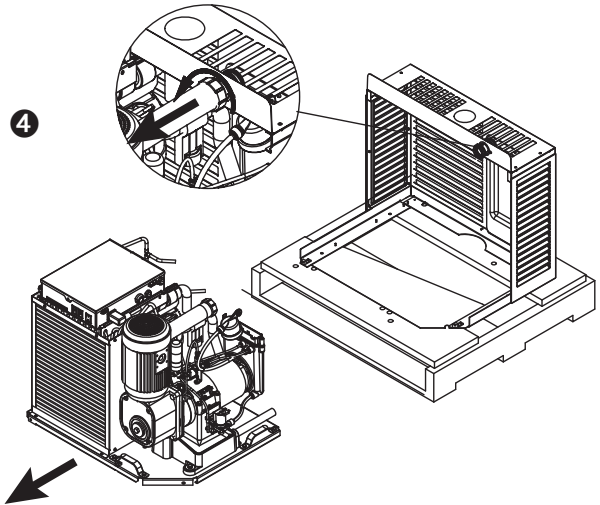
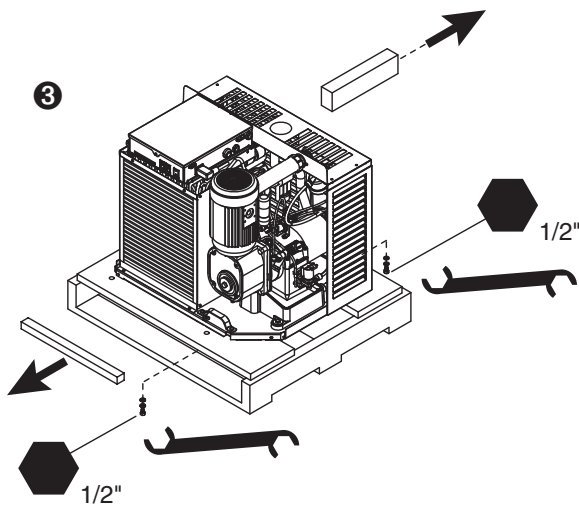
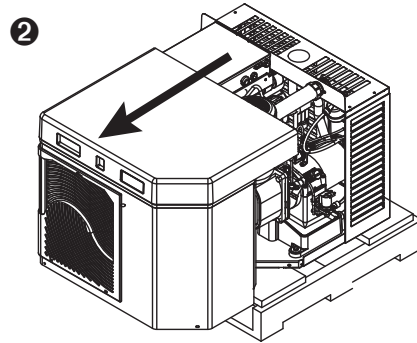
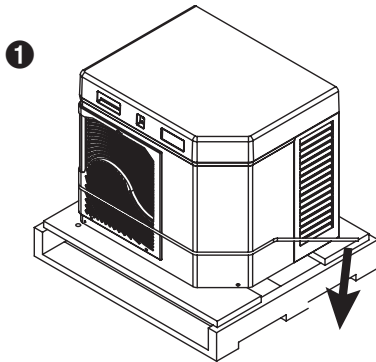
Carefully unpack and inspect the contents of your Follett ice machine.

Unpack

1

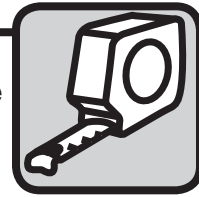


1.1 Unpack ice machine

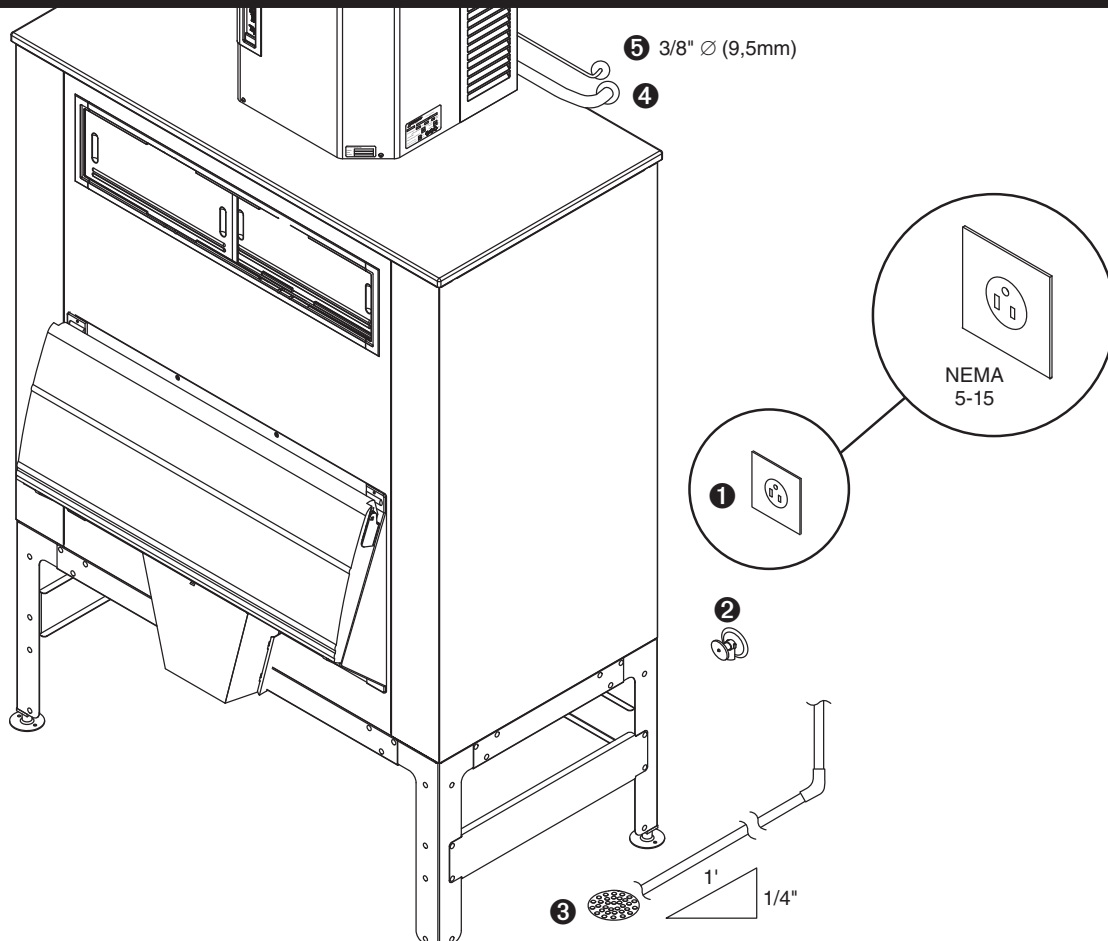


Prepare the installation site.

Provide drainage, water supply and electrical power to within 6 feet (2m) of ice machine in accordance with local and national codes. Outdoor installation is not recommended and will void warranty.



2.1 Installation site requirements



Electrical ①

120/60/1-6 amps

Potable water supply ②

- 10-70 psi (69-483kpa)
- 45-90 F (7-32 C)
- Follett recommends the use of an in-line water filtration system (item# 00130286)

Drain ③

- The drain line from the ice machine must have at least 1/4" per foot pitch (6,4mm/.3m)

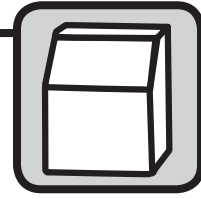
Refrigeration lines ④

- 1000, 1400: 5/8" (15,8mm) diameter suction (insulated) ④
- 1650: 7/8" (22,2mm) diameter suction (insulated) ④
- 3/8" (9,5mm) liquid ⑤

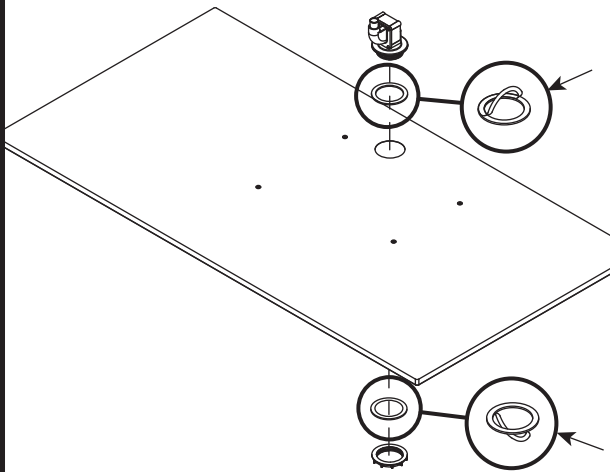
Prepare the bin.

Bin preparation

3

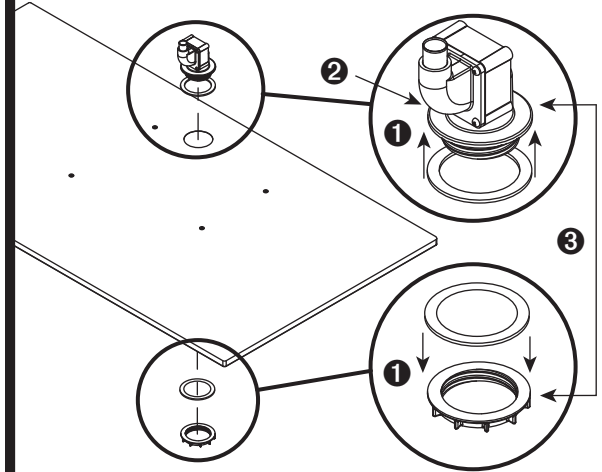


3.1 Bin top preparation



- Remove protective tape from gaskets

3.2 Bin top preparation



- Apply gaskets **1**
- Install shuttle actuator **2** through bin top and secure with locking nut **3**

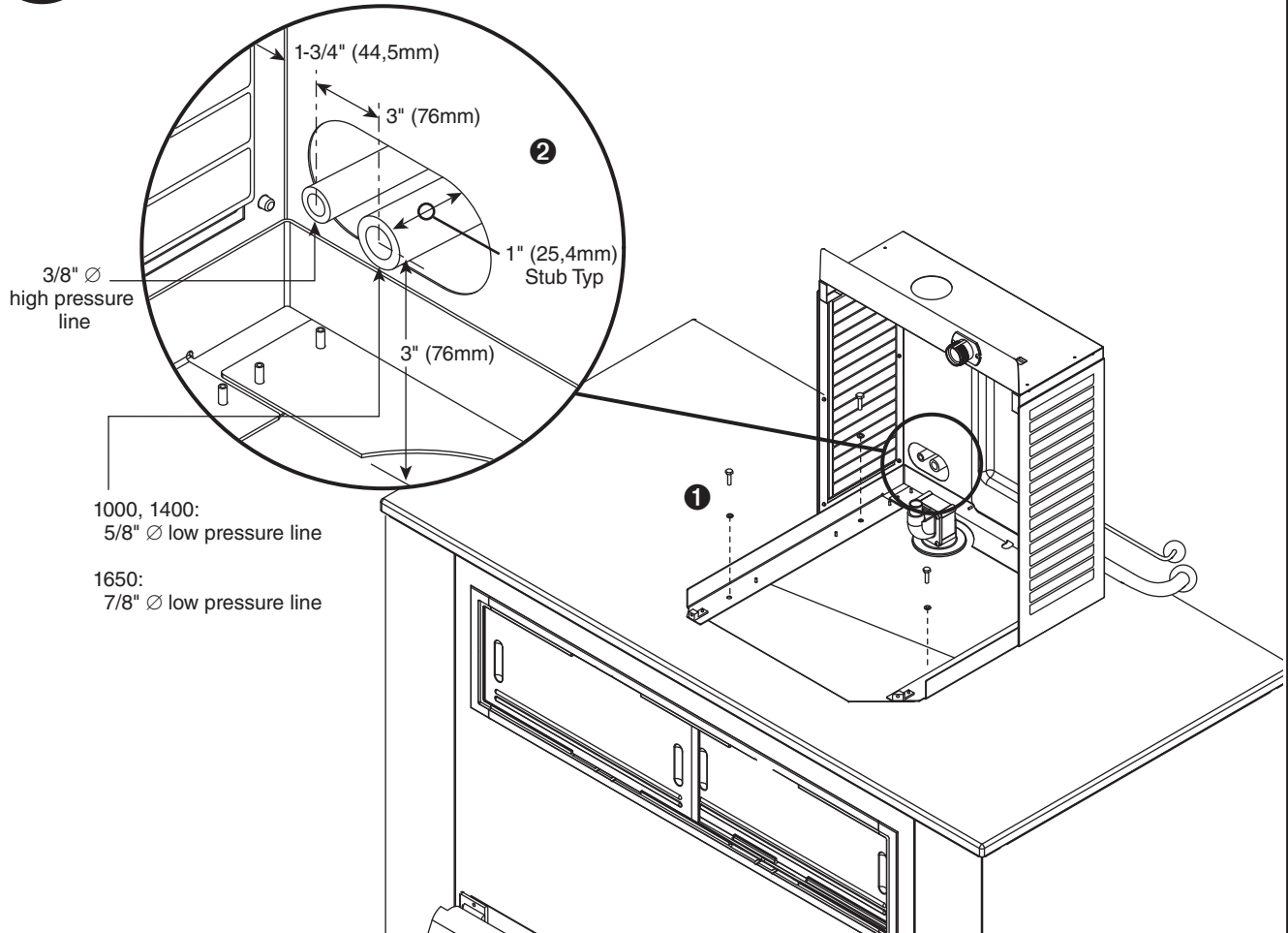
Install the louvered docking assembly.

Louvered docking assembly

4

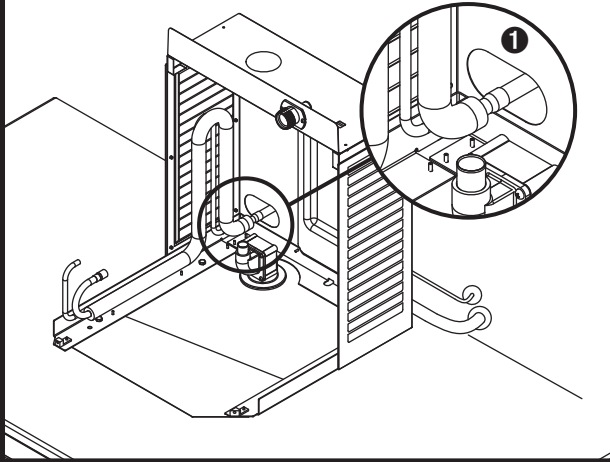


4.1 Louvered docking assembly



- Mount louvered docking assembly ①
- "Rough-in" the refrigerant piping ②

4.2 Refrigerant lines



- Braze supplied expandable refrigerant lines in place ❶

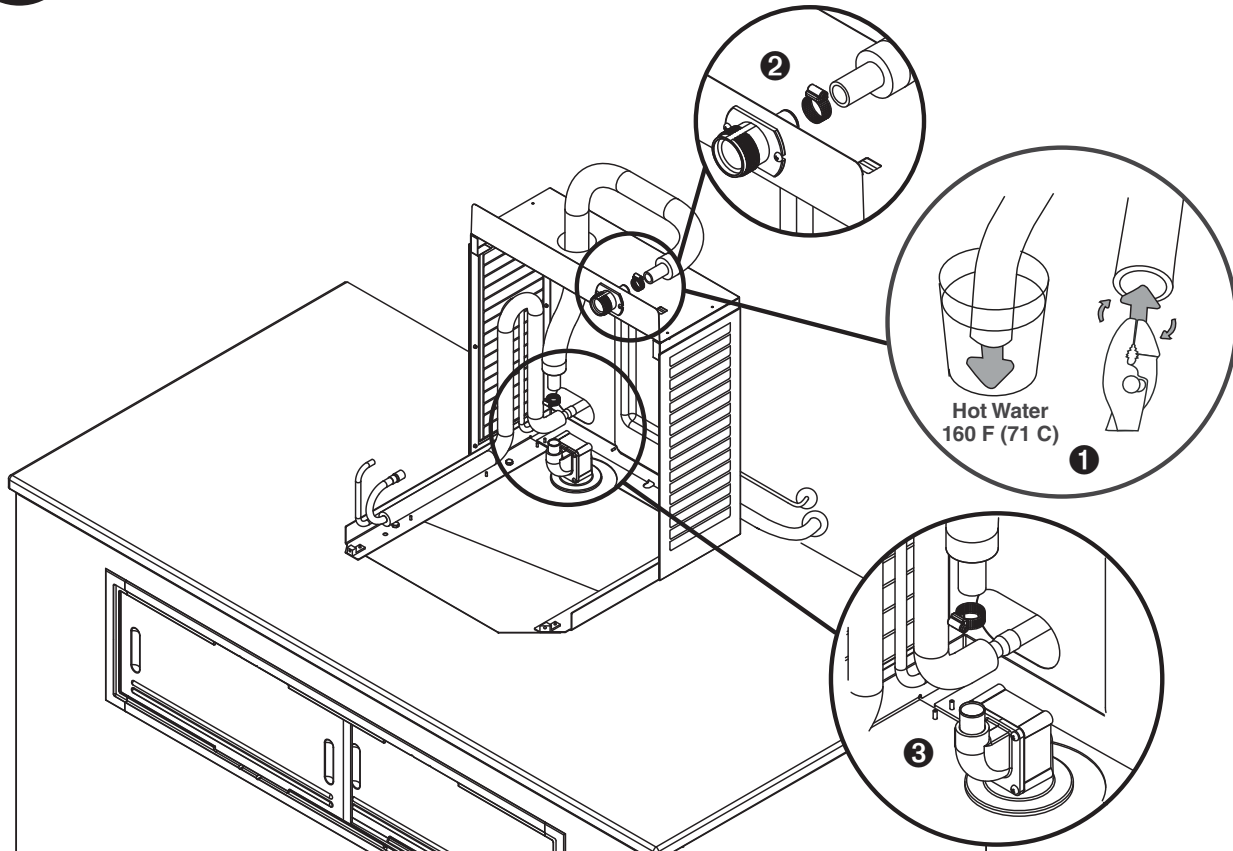
Install the ice transport tube.

Ice transport tube

5



5.1

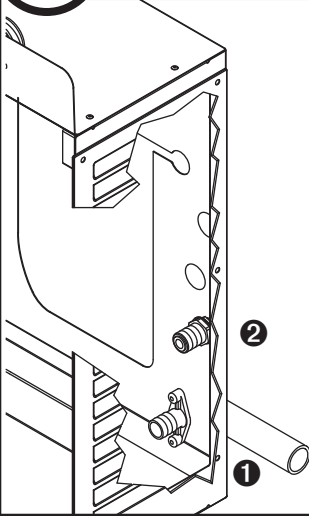


- Slide insulation onto ice transport tube
- Heat end of transport tube in cup of 160 F (71 C) hot water to soften and spread with pliers ❶ before making connection to ease assembly
- Connect ice transport tube to coupling on louvered docking station ❷
- Connect ice transport tube to shuttle actuator ❸

Connect utilities to louvered docking assembly.



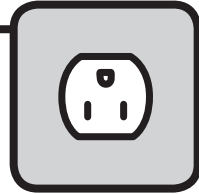
6.1 Water and drain



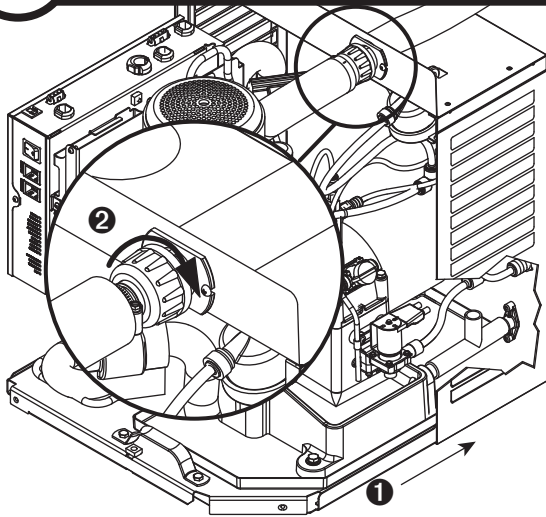
- Remove access panel if necessary.
- Install drain line ❶.
The rigid drain line from the ice machine must have at least 1/4" per foot pitch (6,4mm/0,3m).
- Install ice machine potable water supply ❷
- Replace access panel

Connect louvered docking assembly to ice machine.

Internal connections **7**

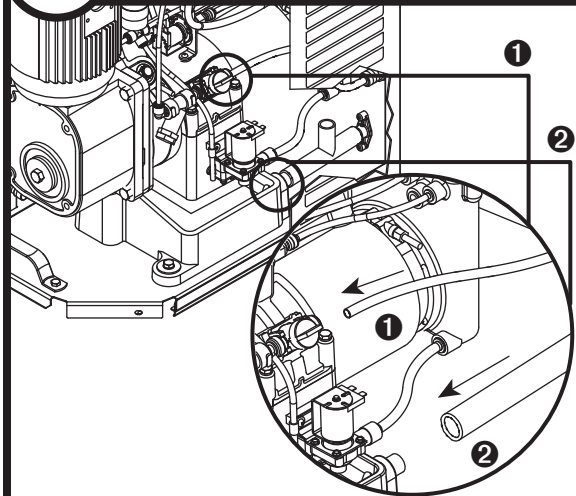


7.1 Ice transport tube installation



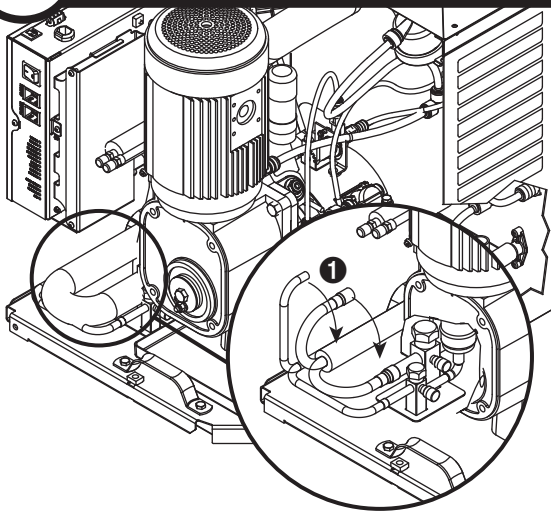
- Slide ice machine into louvered docking assembly **1**
- Insert ice transport tube all the way into coupling and tighten nut firmly **2**

7.2 Water and drain lines



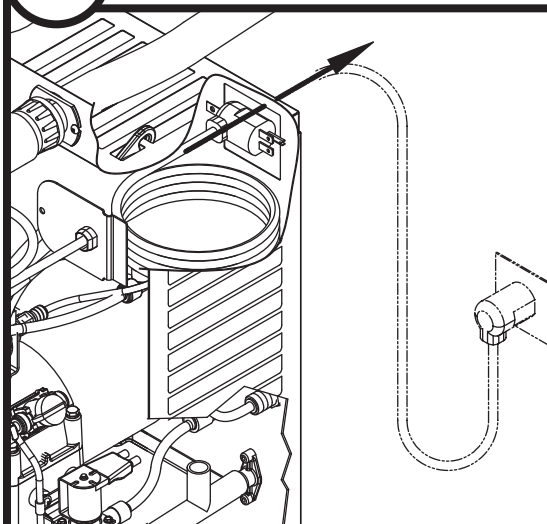
- Insert potable water line into valve **1**
- Push drain line over hose barb on back of evaporator mount **2**

7.3 Refrigeration lines



- Rotate and braze refrigerant lines **1**

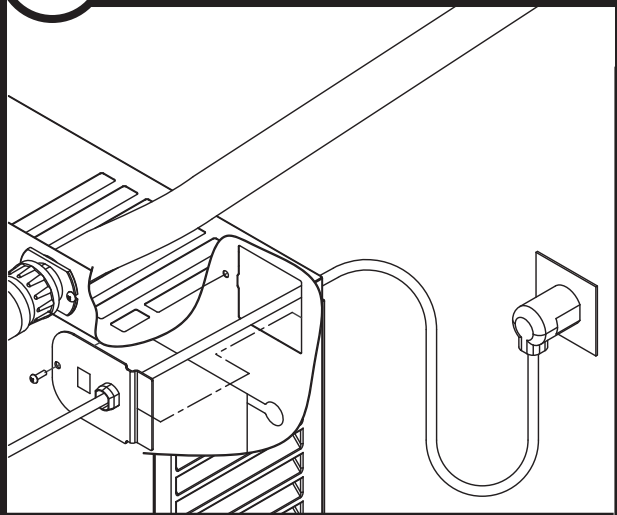
7.4 Power cord



- Remove twist tie
- Carefully pass plug thru opening and plug into wall outlet

7.5

Power cord



- Position plate into opening and secure with supplied screw

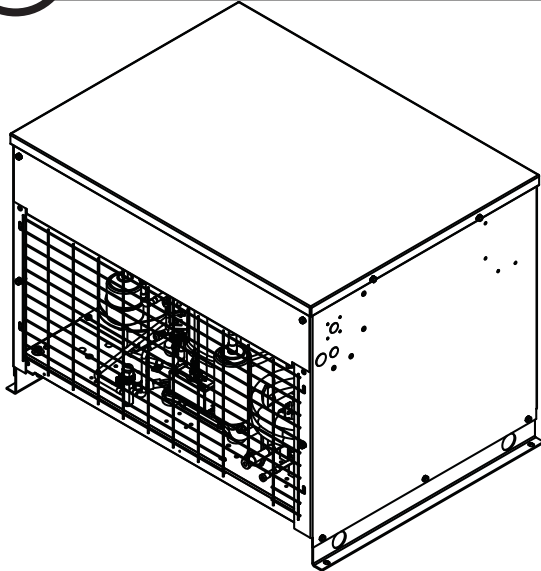
Install front cover to ice machine.

Front cover

8

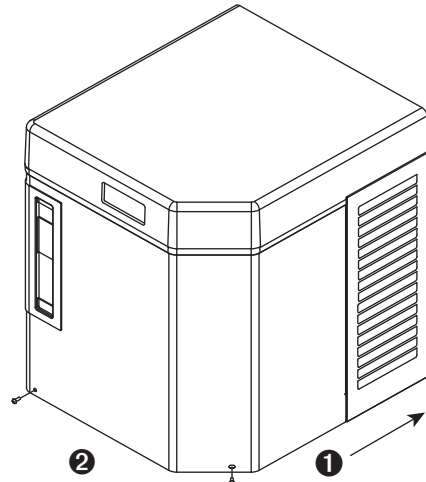


8.1 Install condensing unit



- Complete installation of condensing unit or connection to rack system.

8.2 Install ice machine front cover



- Slide ice machine cover over machine ensuring that tabs on back of cover slip under louvers on back of louvered docking assembly ①
- Insert and tighten two screws through cover and into louvered docking assembly ②

NOTICE

Ice machine MUST be sanitized prior to operation!

Consult Operation and Service Manual provided with ice machine for sanitizing instructions.

Horizon, Maestro, Harmony, Ice Manager, SafeCLEAN, Sani-Sponge, RIDE and Vision are trademarks of Follett Corporation.
Chewblet is a registered trademark of Follett Corporation, registered in the US.



801 Church Lane • Easton, PA 18040, USA
Toll free (877) 612-5086 • +1 (610) 252-7301
www.follettice.com



00159962R09
3/13