

Installation Instructions

Materials Supplied

- (1) Claris filter
- (1) Head assembly
- (1) Bracket
- (1) Elbow fitting
- (2) Bushings
- (6) Screws, M5 x 12
- (2) Nuts, M5 x 1mm
- (20 ft.) Tubing, 1/4" OD x 0.170" ID



CAUTION!

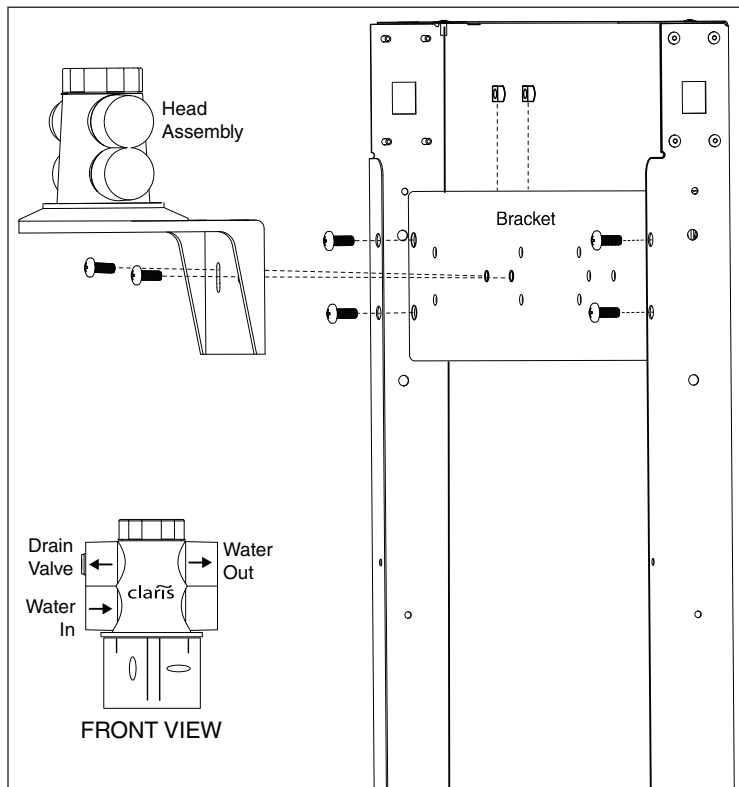
Only qualified technicians should attempt to service or maintain this equipment.

If you experience any problems during the installation process, please call Follett Technical Service toll-free at (877) 612-5086 or +1 (610) 252-7301 for assistance.

Installation

1. Turn off water supply to dispenser.
2. Mount bracket and head assembly (**Fig. 1**). (Bracket shown mounted within base, right-hand side, of freestanding unit.)

Fig. 1




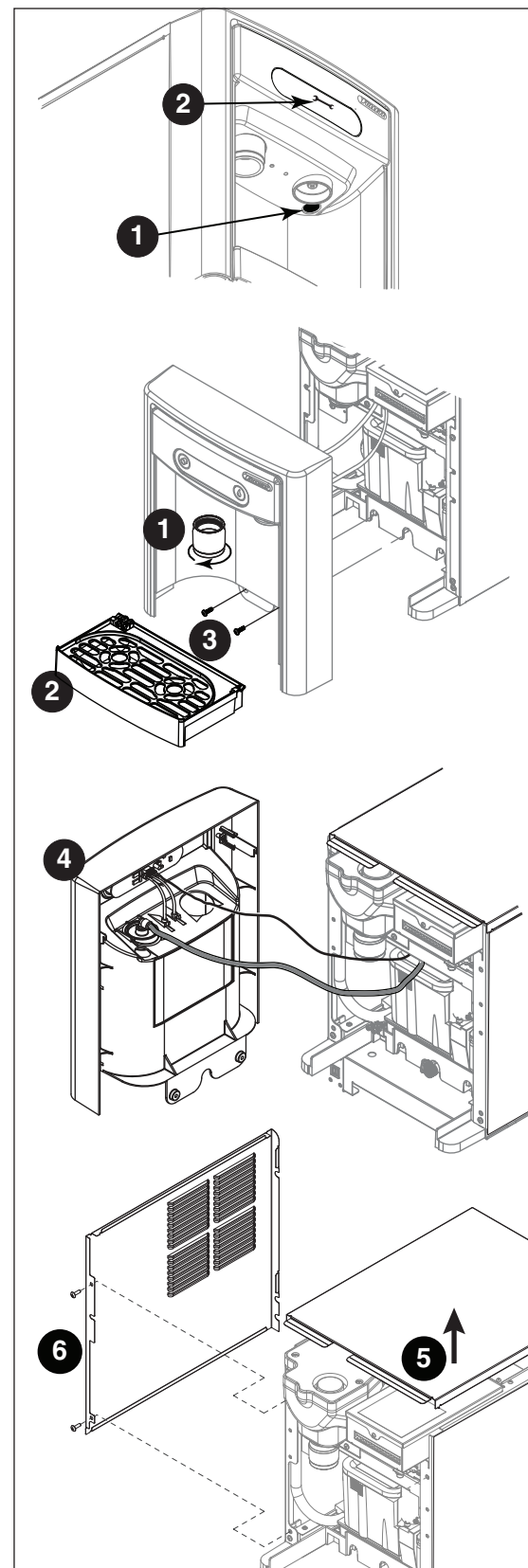
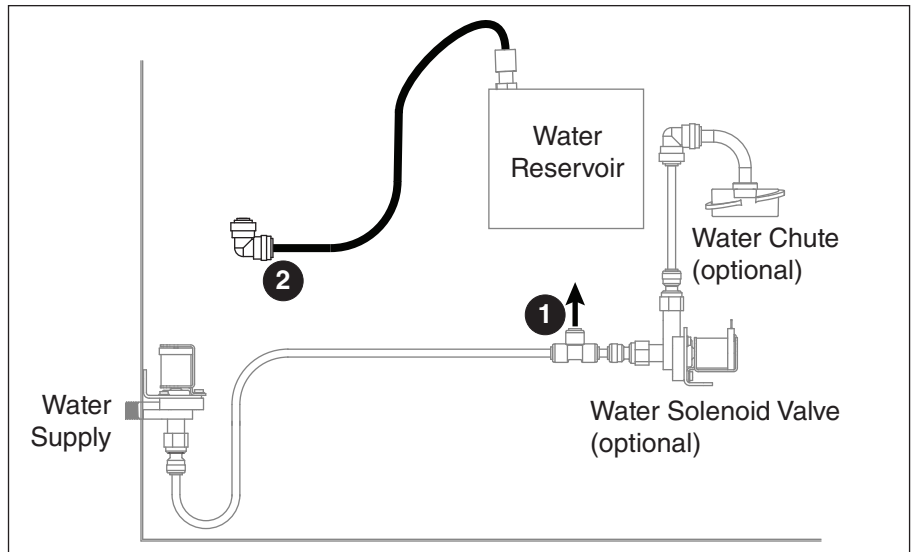
3. Press and hold the maintenance/clean switch (**Fig. 2.1**) until  displays in the user interface (**Fig. 2.2**).
4. Remove (unscrew) chrome ice dispenser chute (**Fig. 2.3**).
5. Remove the drip tray (**Fig. 2.4**).
6. Remove the two screws (**Fig. 2.5**) on the front panel (behind the drip tray).
7. Remove and set aside the front panel (**Fig. 2.6**) - **do not disengage the plug on the back of the User Interface or the tubing at the water dispenser chute (if so equipped)**.
8. Lift and remove the top panel, set aside (**Fig. 2.7**).
9. Remove two screws (**Fig. 2.8**) and remove left side panel.

Fig. 2



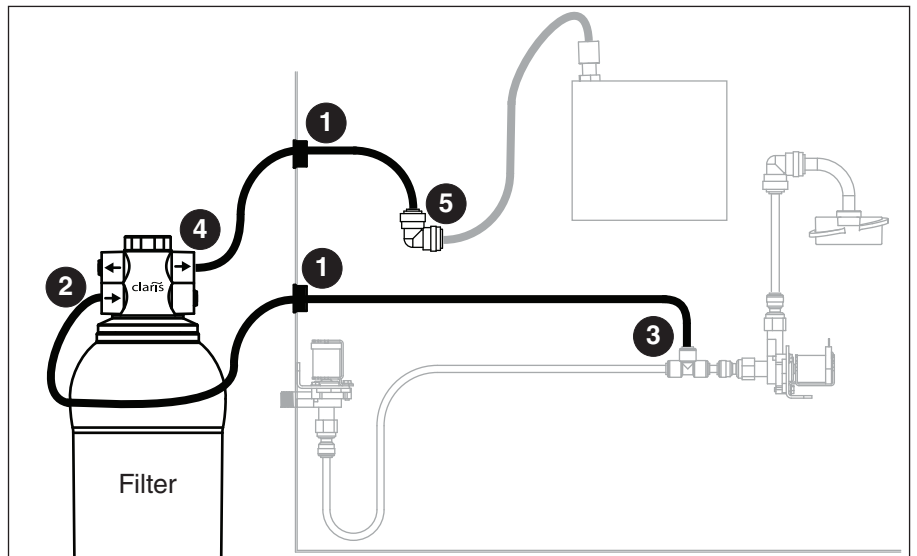
- Disconnect water tube at T-fitting (**Fig. 3.1**) and connect elbow fitting to water tube (**Fig. 3.2**).

Fig. 3



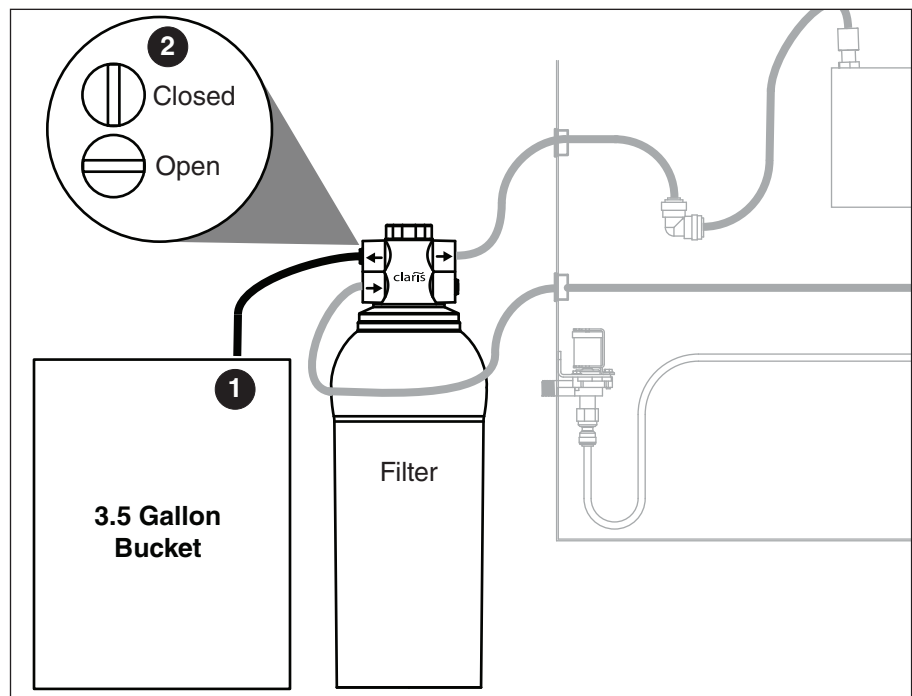
- Place bushings in two hole locations in back panel (**Fig. 4.1**).
- Cut 5 ft. of tubing and connect one end to Claris 'water in' (**Fig. 4.2**).
- Run tubing through bottom bushing and connect to T-fitting (**Fig. 4.3**).
- Cut 5 ft. of tubing and connect one end to Claris 'water out' (**Fig. 4.4**), run tubing through top bushing and connect to elbow fitting (**Fig. 4.5**).

Fig. 4



15. Place end of tube attached to head assembly into 3.5 gallon capacity bucket (Fig. 5.1).
16. Locate screw at head assembly drain valve (Fig. 5.2) and turn clockwise to open drain valve.
17. Turn on water supply and run 3 gallons of water through Claris filter into bucket.
18. Turn head assembly drain valve screw (Fig. 5.2) counterclockwise to close drain valve.

Fig. 5



19. Lift bypass select knob (Fig. 6.1) and turn to set the appropriate filter bypass level (Fig. 6.2) for your application.
20. Sanitize the dispenser prior to use (refer to the Installation, Operation and Service Manual shipped with the dispenser).

Fig. 6

Feed Water Hardness CaCO ₃		Feed Water TDS	Bypass Setting (recommendation if 70% of TDS is CaCO ₃)	Filtrate Hardness CaCO ₃		Filtrate TDS
(gpg)	(ppm)	(ppm)		(gpg)	(ppm)	(ppm)
11-12	195-215	280-305	5	5-6	95-102	182-198
13	230	331	4	5	90	192
14-15	350-265	356-381	4	6	95-102	182-195
16-17	285-302	407-432	3	5	83-87	179-190
19-21	338-374	483-534	2	4	65-72	179-198
23-26	410-463	585-661	2	5	80-90	175-198

Contact Follett for additional information if your water conditions are outside these parameters.

Follett is a registered trademark of Follett Corporation, registered in US.