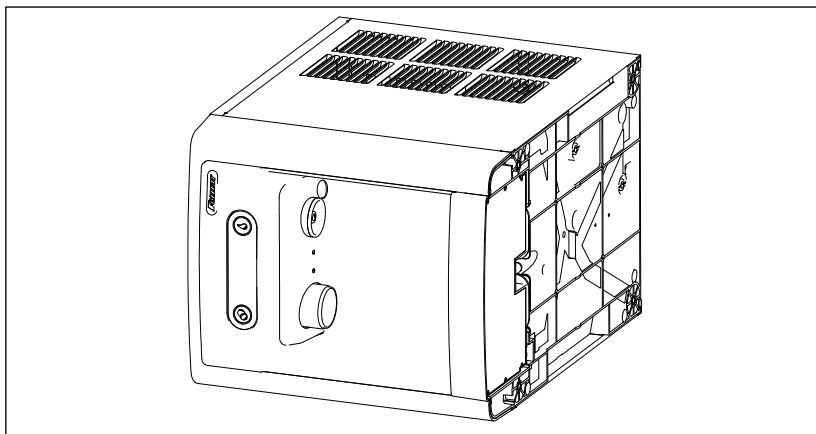


### Description

If you experience any problems during the packing of your Follett machine, please call Follett Technical Service toll-free at (877) 612-5086 for assistance.

1. Lay machine on side.

Fig. 1



2. Tape L-shaped foam pieces to bottom of machine.

**Note:** Undercounter machines require three pieces of foam (**Fig. 3**).

Fig. 2 - Countertop models only

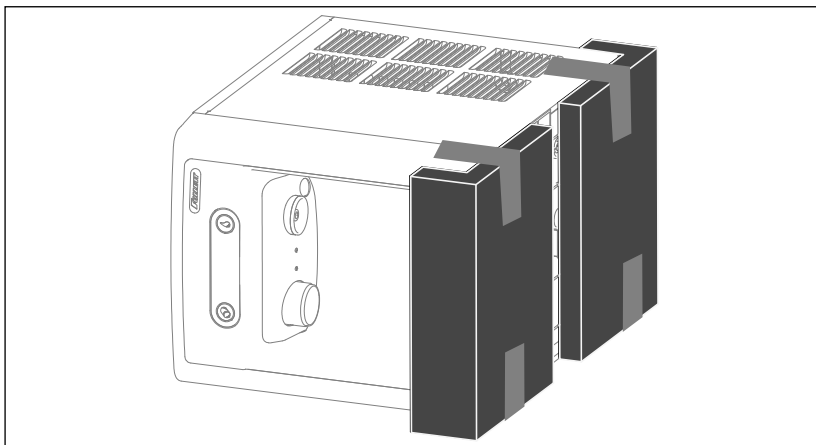
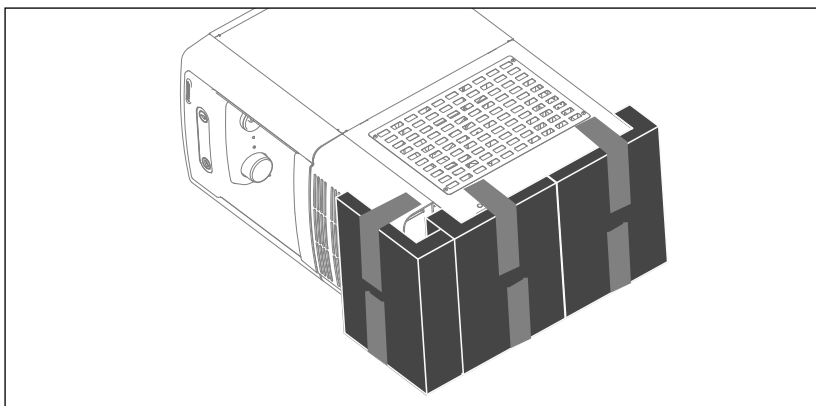
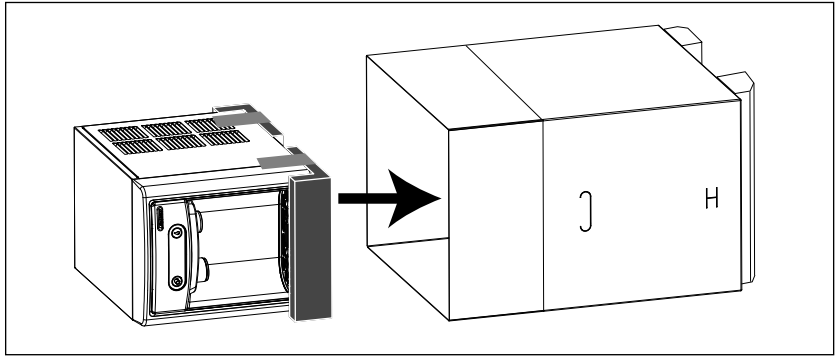


Fig. 3 - Undercounter models only



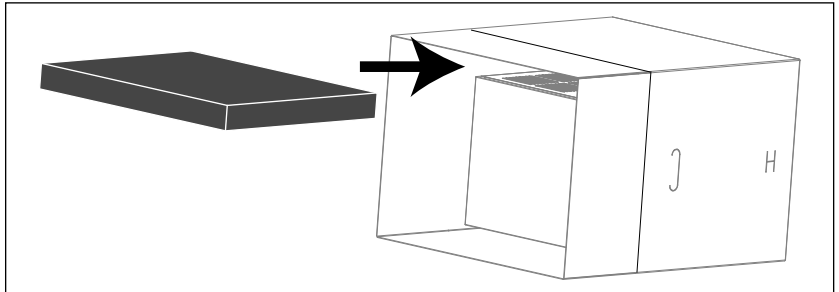
3. Slide machine into the box.

**Fig. 4**



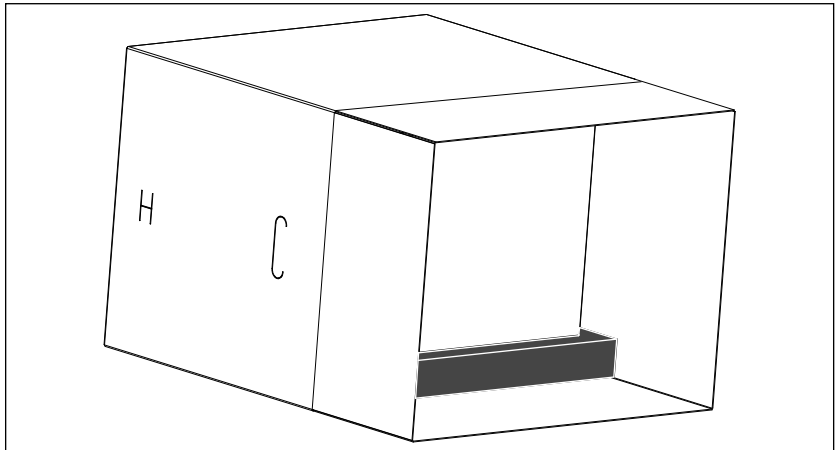
4. Insert one flat piece between machine and side of box.

**Fig. 5**



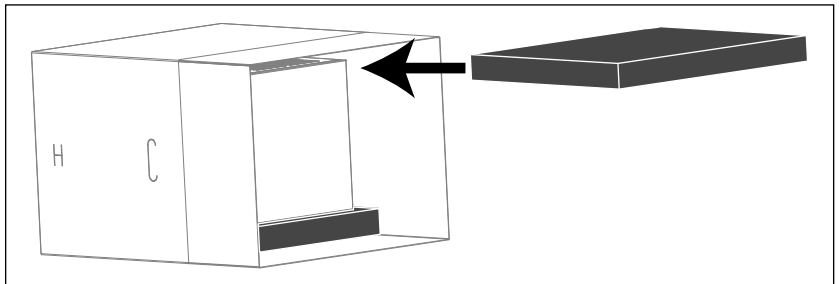
5. Carefully roll machine/box onto other side.

**Fig. 6**



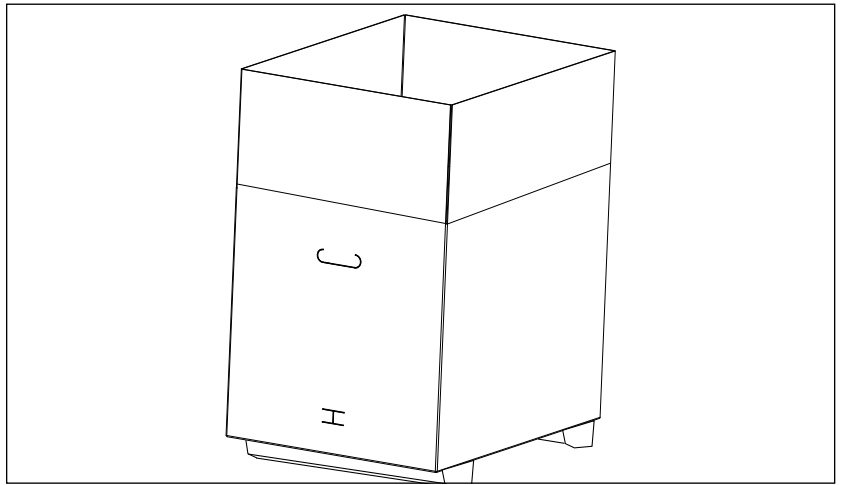
6. Place second flat piece between machine and side of box.

**Fig. 7**



- Carefully place machine/box in upright position.

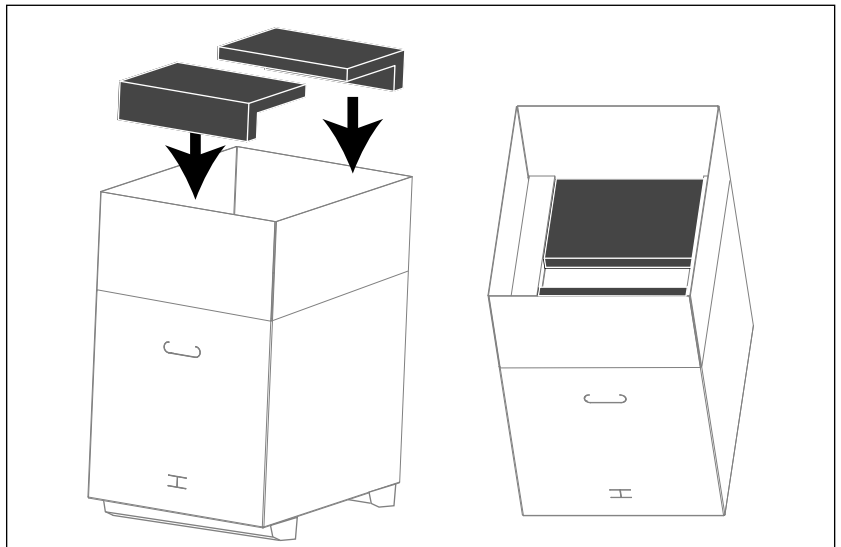
Fig. 8



- Place remaining two L-shaped pieces on top of machine, between the two flat pieces.

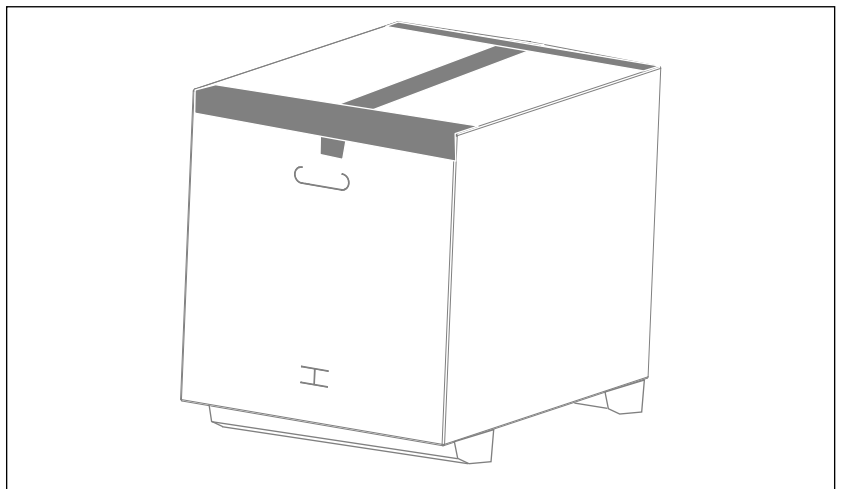
**Note:** The long edge of the L-shaped pieces rest on top of the machine.

Fig. 9



- Fold top flaps and tape closed.

Fig. 10



Follett is a registered trademark of Follett Corporation, registered in US.



801 Church Lane • Easton, PA 18040, USA  
Toll free (877) 612-5086 • +1 (610) 252-7301  
[www.follettice.com](http://www.follettice.com)



00958157R01  
10/14