

# Follett® bacterial-retentive filter system



Description	Item number
Follett bacterial-retentive filter system includes 0.2 micron double layer sterilizing-grade filter capsule, a 1 micron absolute rated pre-filter cartridge and a pressure regulator	01233659
Follett bacterial-retentive replacement filters include 0.2 micron double layer sterilizing-grade filter capsule and a 1 micron absolute rated pre-filter cartridge	01244615

## Features

Kleenpak® 0.2 micron double layer sterilizing-grade disposable filter capsule with robust Supor® membranes and broad chemical compatibility<sup>1</sup>

Validated by an independent laboratory according to industry standard test methods with complete retention of the challenge organisms<sup>2</sup>

In-use evaluation performance supporting up to 6 months filter life

Profile II® 1 micron absolute rated pre-filter cartridge, with depth style polypropylene membrane for high performance particle removal

High efficiency pre-filtration ensuring removal of nutrient rich particulates

Barrier to protect the downstream sterilizing-grade filter capsule

Shurflo® pressure regulator controls water pressure to a maximum of 50 psi

Can be used in-line with scale inhibiting filtration systems

Non-carbon filtration, no use of glues or resins

Supports ASHRAE 188 water management plans to provide barrier to waterborne bacteria from the incoming water

Retains microorganisms without volume restriction

### <sup>1</sup> Systemic Compatibility

Continuous chlorine dioxide disinfection (up to 1 ppm ClO<sub>2</sub>)

Chlorine shock treatment (up to 100 ppm free chlorine for up to 1 hour at ambient temperature)

Continuous free chlorine disinfection (up to 3 ppm at ambient temperature)

pH 12.8 (up to 1 hour at ambient temperature) ammonium chlorides, iodides and non-ionic surfactants)

Peracetic acid (up to 1000 ppm at 60 C for up to 2 hours)

### <sup>2</sup> F838-15a "American Standard Testing Methodology (ASTM) F838-15a determining bacterial infection of membrane filters utilized for liquid filtration, 2015"

Job

Item

## Specification

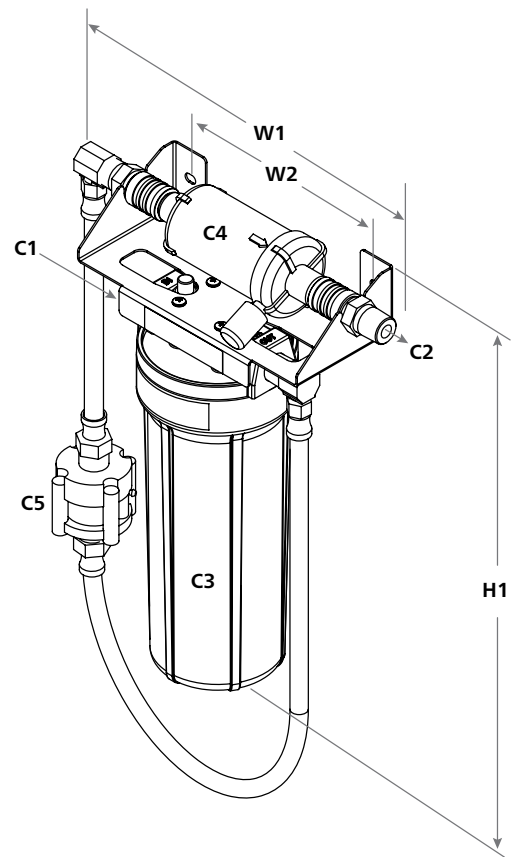
<b>W1</b> Width	11.57" (29.39 cm)
<b>W2</b> Mounting holes	7.12" (18.08 cm)
Depth	4.78" (12.14 cm)
<b>H1</b> Height	13.85" (35.18 cm)
Service clearance	1.00" (2.54 cm) front service clearance, 2.50" (6.35 cm) at top and bottom for cartridge removal, 2.00" (5.08 cm) on each side
<b>C1</b> Water inlet	1/2" FNPT
<b>C2</b> Water outlet (to dispenser)	1/2" MNPT
<b>C3</b> Pre-filter	1 micron absolute rated pre-filter cartridge
<b>C4</b> Primary filter	0.2 micron sterilizing-grade disposable filter capsule
<b>C5</b> Pressure regulator	
Filter life	Validated for up to 6 months filter life
Water temperature	45 - 90 F (7 - 32 C)
Water pressure	30 - 70 psi (207 - 482 kpa)
Approximate ship weight	6 lb (2.7 kg)

NOTE: Follett bacterial-retentive filter system includes Kleenpak 0.2 micron double layer sterilizing-grade disposable filter capsule, Profile II 1 micron absolute rated pre-filter cartridge and Shurflo pressure regulator. It has been validated as a complete assembly and operating outside those parameters voids the warranty.



System Certified and Tested by NSF International against NSF/ANSI Standard 42 for the reduction of Class 1 Particulates

## Dimensional drawing



Filters provided by



## Accessory kits for bacterial-retentive filter system

The following accessory kits can be installed upstream of the bacterial-retentive filter system to provide scale inhibitor or carbon filtration with scale inhibitor.

Description	Item number
Scale inhibitor pre-filter kit for bacterial-retentive filter system	<b>01288034</b>
Carbon with scale inhibitor pre-filter kit for bacterial-retentive filter system	<b>01288042</b>
Replacement filter for scale inhibitor pre-filter kit	<b>01288067</b>
Replacement filter for carbon and scale inhibitor pre-filter kit	<b>01288059</b>

Kleenpak, Pall, Profile II and Supor are registered trademarks of Pall Corporation.  
Shurflo is a registered trademark of Pentair.  
FOLLETT HEALTHCARE is a trademark of Follett LLC.  
FOLLETT is a registered trademark of Follett LLC, registered in the US.  
Follett reserves the right to change specifications at any time without obligation. Certifications may vary depending on country of origin.

## Follett bacterial-retentive filter system

## Dimensional drawing

Scale inhibitor or carbon with scale inhibitor pre-filter kits

Bacterial-retentive filter system

