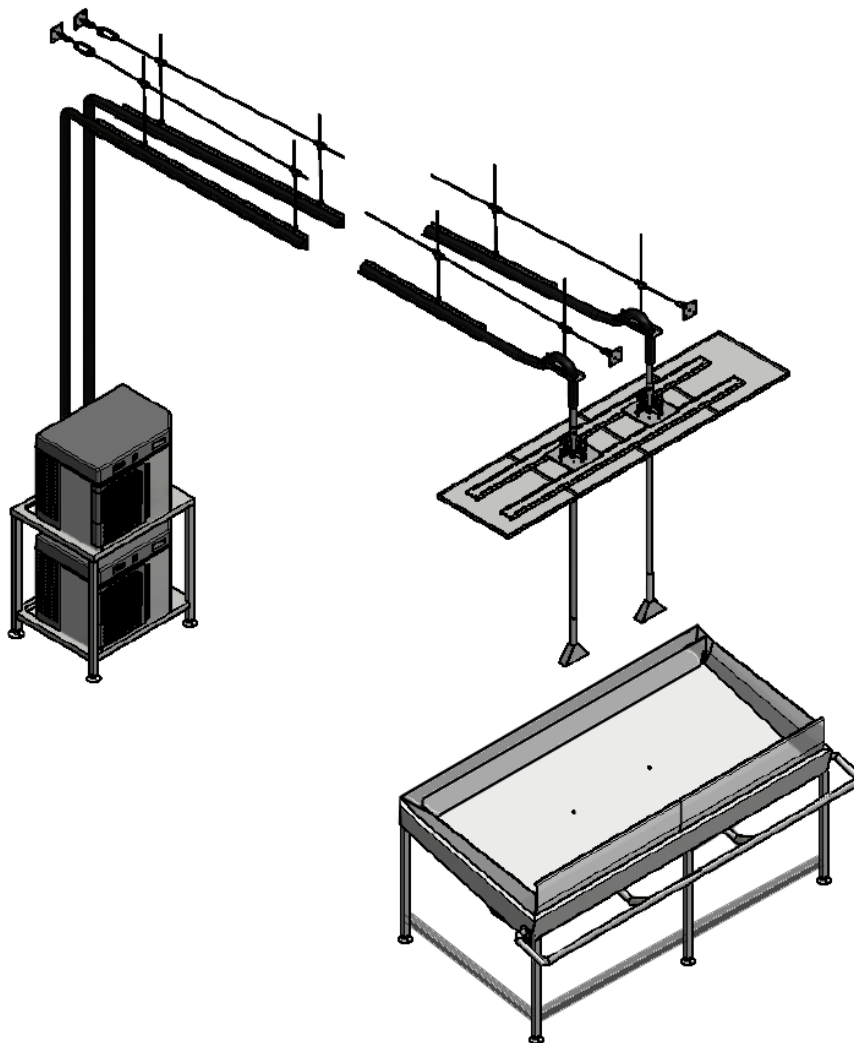




## Horizon Piped Ice General Arrangement



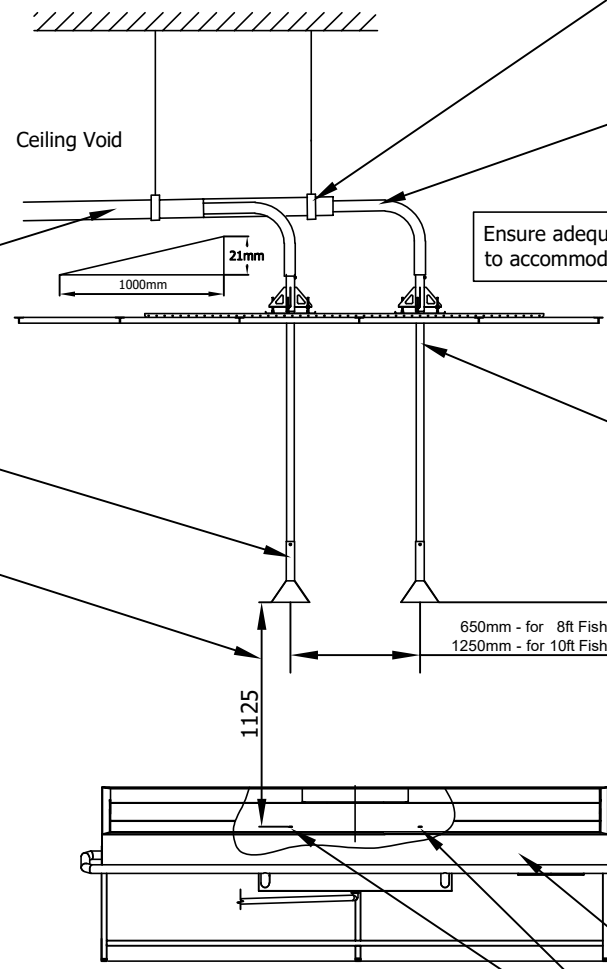
Ensure ice transport tube is routed smoothly, no sharp radii. Minimum radius 80mm.

Rigid PVC ice transport support tube, minimum internal diameter 64mm. No need to insulate. Route in straight line in ceiling void from above ice machines to above drop tube target on fish deck. Route to avoid ceiling lights, fire sprinklers, ventilation ducting etc. Minimum "fall" above fish deck to ice machine 21mm/metre.

ENSURE DISTANCE FROM END OF STAINLESS STEEL DROP TUBE TO BREAKER BAR IN DROP NOZZLE IS ADJUSTED TO MIN. 100mm.

Vertical distance from drop tube nozzle to deck target: 1125mm

2 x Horizon run simultaneously together typically from 9.30pm to 6.00am delivering 388kg of ice to the fish deck. Timer fully programmable for run time, running days and auto summer/winter daylight correction.



Various fixings available to suspend support tube depending upon application. Fix at intervals to ensure straight run is maintained. Eliminate any sagging.

Insulated Ice Transport Tube, maximum vertical lift of ice from floor level = 4,5 metre.  
Vertical lift of Ice Transport Tube (from the floor level) + horizontal run of Ice Transport Tube = maximum 15m.

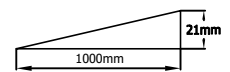
Ensure adequate space above false ceiling to accommodate ice transport tube and fixing elements!

Stainless steel ice drop tube assembly  
Secure in ceiling void with fixings provided.  
Site directly above fish deck target.  
Adjust tube to be exactly VERTICAL with aid of a "spirit level".  
Floor to drop tube nozzle 1800mm.

Stainless steel fish deck with built in ice storage bin. Bin filled via removable preparation/cutting board.  
Accessories, wash down gun, scoop & holder, ice rake and holder, various bag holders. Deck available in 10, 8 and 6ft widths.

Fish deck drop tube target markers.

Ensure adequate space in ceiling void to accommodate ice transport tubes and fixing elements!



Rigid PVC ice transport support tube, minimum internal diameter 64mm. No need to insulate. Route in straight line in ceiling void from above ice machines to above drop tube target on fish deck. Route to avoid ceiling lights, fire sprinklers, ventilation ducting etc. Minimum fall from back to ice machine 21mm/metre.

Insulated ice transport tubes  
Maximum vertical lift of ice from floor level = 4.5metre.

2 x Model Horizon HME1400A.  
Power supply each machine 240/50/1 30 amp supply.  
Run amps-16 amp each machine.  
Site 2 x 32 amp Commando style plug/socket within 0.5m of Horizon ice makers.

2 x Model Horizon Hydrocarbon HMG1400A.  
Power supply each machine: 400V/50Hz/3P+N+E. Design protection Circuit Breaker is B16/3 for each machine.  
Run amps-5.5 amp each machine.

Site 2 x wall mounted: MK Commando Model K9608 Red, Switched Sockets, IP44 3-phase, 400V, 16 amp, 5 PIN. Earth PIN at 6 o'clock position.  
Complete with matching IP44 Plugs: MK Commando Model 9015 Red.  
Site sockets within 0.5m of Horizon ice makers.

Horizon HME1400A R404A.  
Piped ice output (for each machine) 549kg/ 24 hours at 21 deg C ambient and 16 deg C water. Maximum ambient working temperature 38 deg C.  
HEAT REJECTION (FOR EACH) IS 4.5 kW/h.

OR  
Horizon Hydrocarbon HMG1400A R1270.  
Piped ice output (for each machine) minimum 549kg/24 hours at 21 deg C ambient and 16 deg C water.  
Maximum ambient working temperature: .....C  
HEAT REJECTION (FOR EACH) IS..... kW/h.

MINIMUM ROOM SIZE the ice machine will be installed in MUST be 33.0 cubic meters in volume for 0.260kg charge weight of R1270.

**ADEQUATE VENTILATION REQUIRED!**  
Air flow 1100 CFM for each machine.

Ceiling Void

Siemens "Logo" programmable 2x channel timer with daylight time correction. Typical daily run time 9.30pm to 6.00am.

1x 13 amp plug/socket to IP65. Site within 0.5m of Horizon. Provides power for Timer.

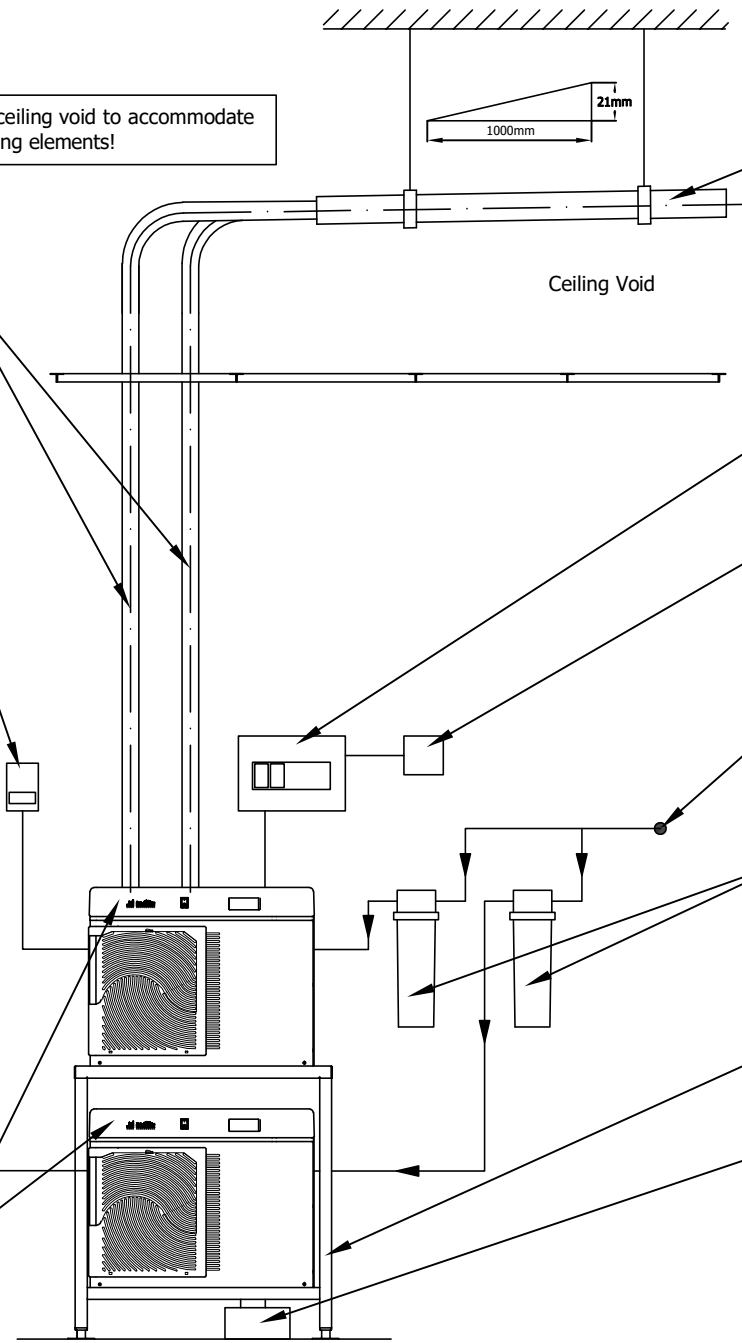
Mains potable water supply, NOT ARTIFICIALLY SOFTENED!  
Maximum pressure 70 psig.  
Minimum pressure 10 psig.  
Terminate with 15mm compression stop-cock.  
Site within 0.5m of Horizon ice makers.

NCP10 Water Filter part number FR002 plus FR001 cartridge. Plumb using supplied "John Guest" fittings and pipework. Overall dimensions (W)300 x(D)345mm. If possible be mounted away from the Horizons due to the Horizon's heat emission.

Mounting rack fixed to floor with suitable "Rawplugs". Overall dimensions with machines mounted (W)860mm x (D)710mm x (H)1600mm

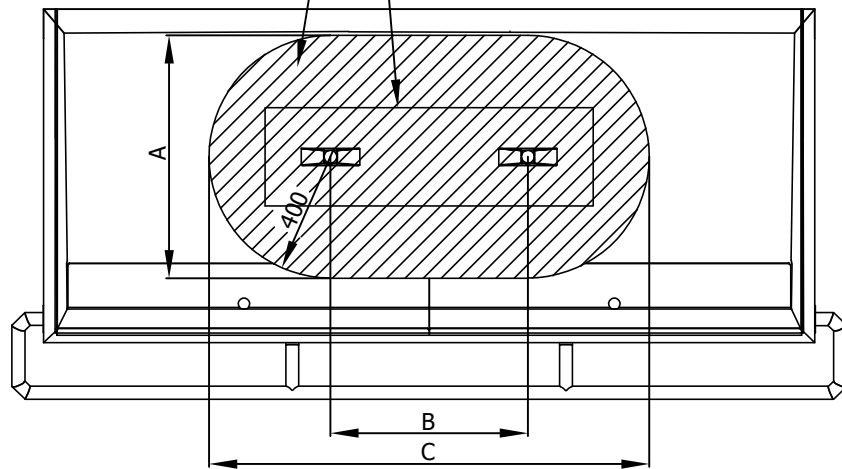
Mains drainage. Ideally floor level "tundish" required, or 40mm OD drainage upstand 150mm from floor level.

**NOTE:**  
Model Horizon HMG1400A Hydrocarbon available. All as HME1400A R404A BUT POWER SUPPLY REQUIRED EACH MACHINE 1x400V 3N+PE 3 PHASE WITH 3xB16 BREAKERS.



Provide sufficient space in the Ceiling Void to fix drop tubes fixing elements (no obstacles to route Ice Transport Tubes from Ice Machines to the Fish Deck).

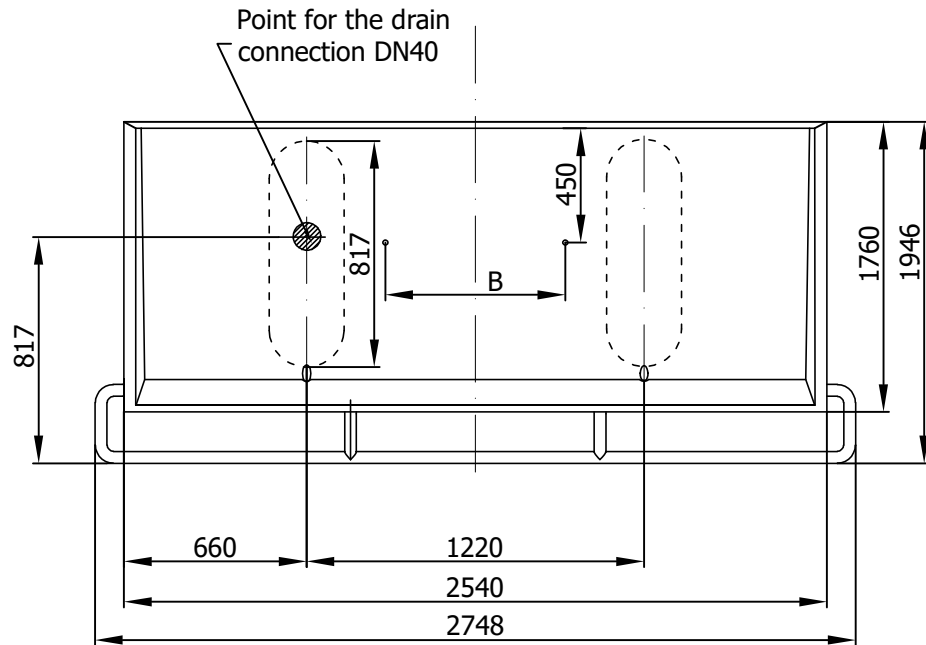
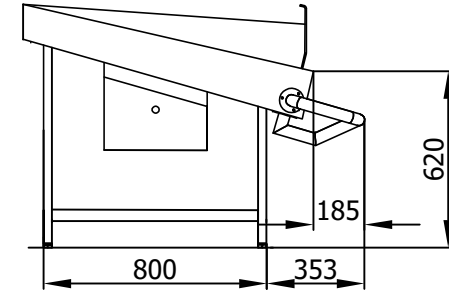
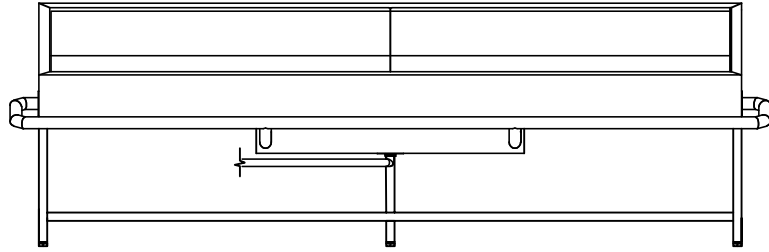
Ice pipes and drop tubes fixing elements.



Plan View

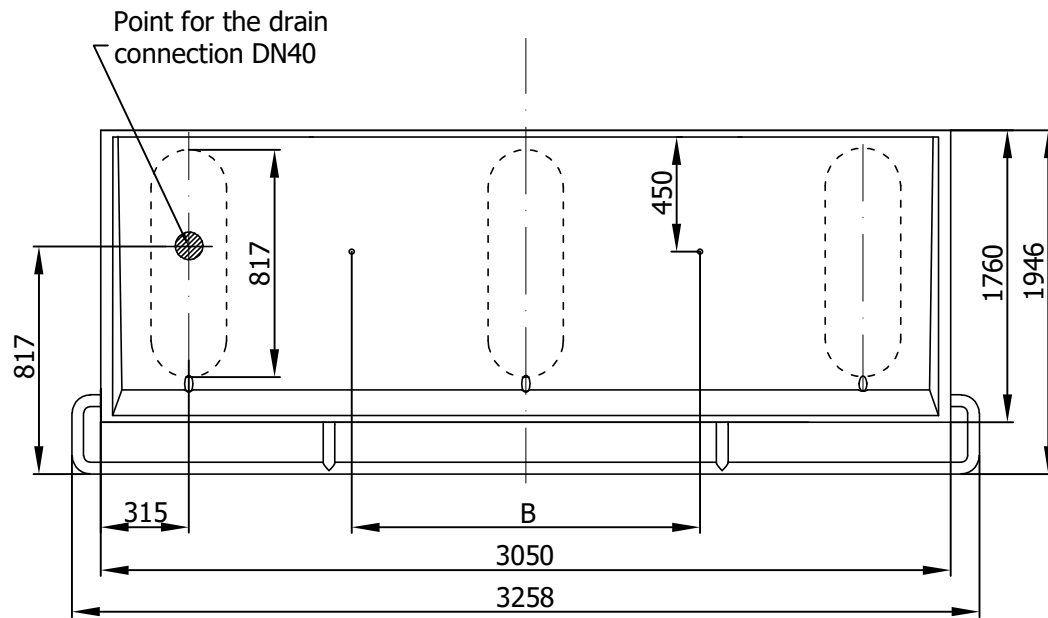
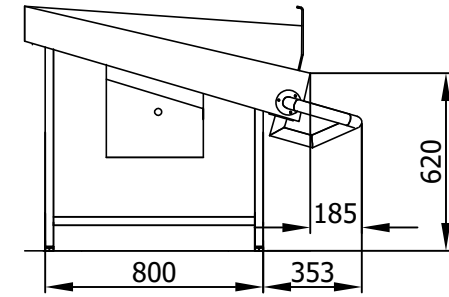
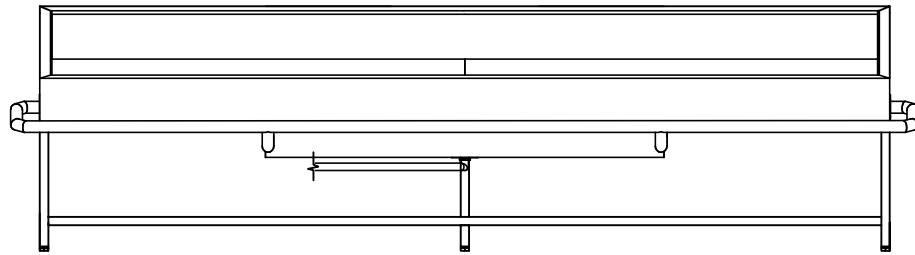
	A	B	C
6FT			
8FT	800	650	1450
10FT	800	1250	2050

# FISH DECK 8FT

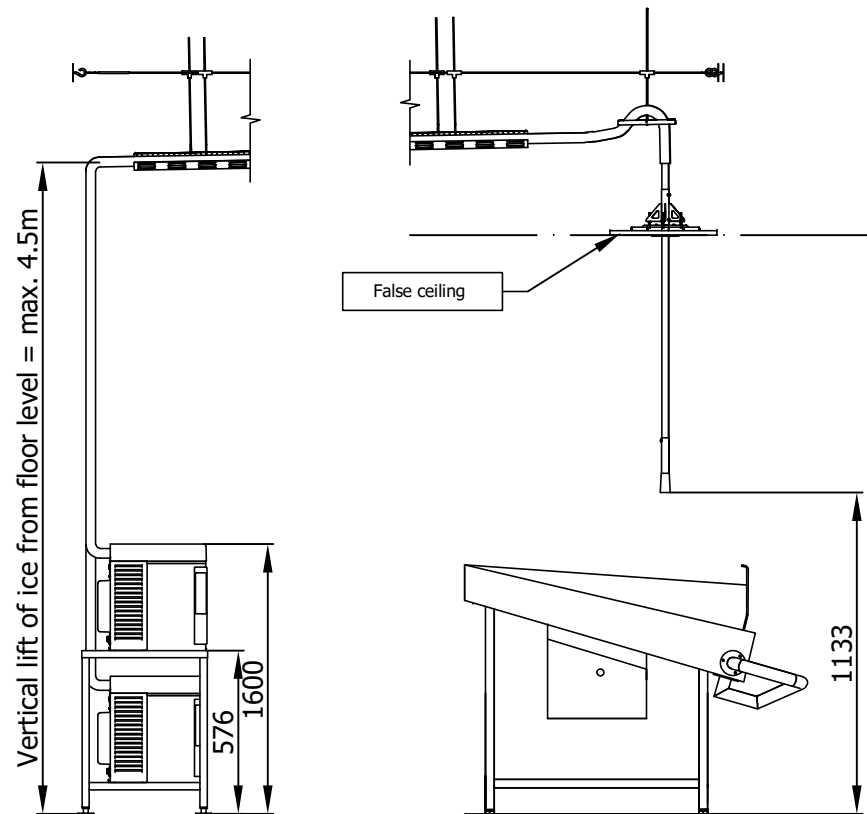


1. The drain connection type: PVC, DN40
2. The water connection: male SS 1/2"

# FISH DECK 10FT



- 1. The drain connection type: PVC, DN40
- 2. The water connection: male SS 1/2"



Insulated Ice Transport Tube  
 Vertical lift (from the floor level) + horizontal run = max. 15m

