

Touchless SensorSAFE™

Dispensing kit for 7 and 15 Series



Features

Sanitary dispensing with no hand contact

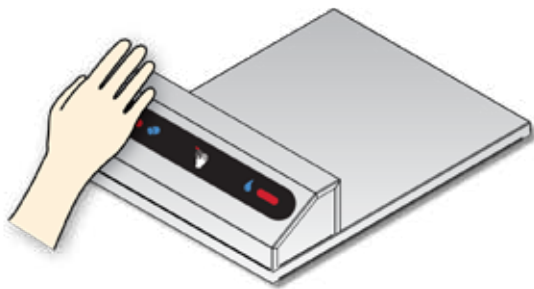
Available as a kit that is user installed on new and existing countertop and freestanding dispensers

Minimal assembly required. Remove and discard existing lid. Connect wire harness from new dispensing kit assembly to control board. Attach dispensing kit lid to dispenser.

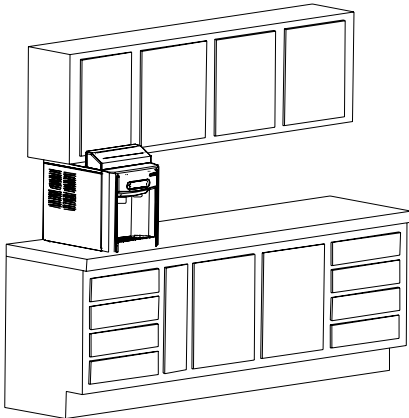
90 day parts only warranty

Specification

W1 Width of sensor cover	14.62" (37.1 cm)
D1 Set back from face of the dispenser	3.93" (10.00 cm)
D2 Depth of sensor cover	5.07" (12.88 cm)
D3 Depth from back of sensor cover to back of the dispenser	7 Series – 13.01" (33.0 cm) 15 Series – 14.05" (35.7 cm)
D4 Depth of dispenser	7 Series – 22.12" (56.2 cm) 15 Series – 23.50" (59.7 cm)
H1 Height of sensor cover	3.35" (8.51 cm)
Approximate shipping weight	10 lb (5 kg)

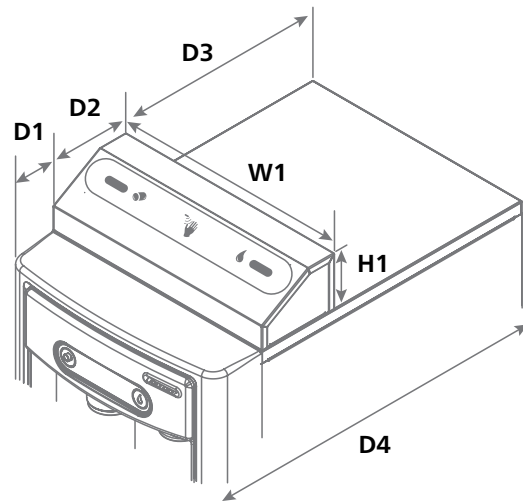


Dispensing kit includes sensors, sensor cover and lid



Dispensing kit shown on a 7 Series installed under a cabinet

Dimensional drawing



Model configurations ¹			
Series	Voltage	Configuration	Item number
7 Series²	115 V	countertop and freestanding	01362599
15 Series³	115 V	countertop and freestanding	01362607

¹ Not available for undercounter, ice-only or sparkling models.

² For 7 Series units manufactured prior to November 2014 or before serial number E62108, control board item# 00981548 must be ordered and installed with the dispensing kit.

³ Compatible with 15 Series units manufactured after October 2016 with serial number after J45503. SENSORSAFE is a trademark of Follett Products LLC.

FOLLETT is a registered trademark of Follett Products LLC, registered in the US.

Follett reserves the right to change specifications at any time without obligation. Certifications may vary depending on country of origin.