

Refrigerator and freezer accessories

single door and double door uprights

Item# 01311976



Additional shelf for 11.8 cu ft refrigerator (REF12-LB models)

1/2" (1.27 cm) spacing between shelving with the use of support clips.

- Epoxy-coated wire shelves, adjustable in 1/2" (1.27 cm) increments
- Single shelf
- Shelf dimensions – 18.00" W x 19.00" D (45.7 cm x 48.3 cm)
- Shipping weight – 5 lb (2 kg)

Item# 00927251



Additional shelves for 20 cu ft refrigerators and freezers (REF20-LB/FZR20-LB models)

1/2" (1.27 cm) spacing between shelving with the use of support clips.

- Epoxy-coated wire shelves, adjustable in 1/2" (1.27 cm) increments
- Set of two
- Shelf dimensions – 23.38" W x 19.50" D (59.4 cm x 49.5 cm)
- Shipping dimensions – 24.00" x 24.00" x 7.00" (61.0 cm x 61.0 cm x 17.8 cm)
- Shipping weight – 16 lb (7 kg)

Item# 00927269



Additional shelves for 25 and 45 cu ft refrigerators and freezers (REF25-LB/FZR25-LB/REF45-LB)

1/2" (1.27 cm) spacing between shelving with the use of support clips.

- Epoxy-coated wire shelves, adjustable in 1/2" (1.27 cm) increments
- Set of two
- Shelf dimensions – 23.38" W x 25.50" D (59.4 cm x 64.8 cm)
- Shipping dimensions – 30.00" x 29.00" x 8.00" (73.2 cm x 73.7 cm x 20.3 cm)
- Shipping weight – 18 lb (8 kg)

Item# 01140458

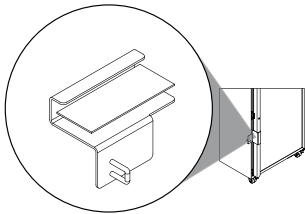


Quick-connect replacement RTD temperature probe with ISO 17025 certificate of traceable calibration

The temperature probe monitors the interior temperature conditions of a refrigerator or freezer to ensure proper display and alarming.

- Certificate of traceable calibration contains specific information to assure compliance with ISO/IEC 17025
- Bottle not included
- Shipping dimensions – 5.00" x 5.00" x 8.00" (12.7 cm x 12.7 cm x 20.3 cm)
- Shipping weight – 1 lb (0.5 kg)

Item# 00927202 – Pyxis®

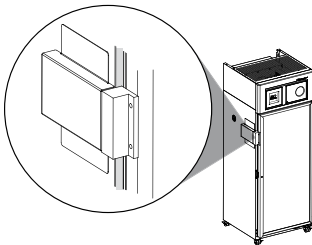


Medication dispensing system compatible door brackets

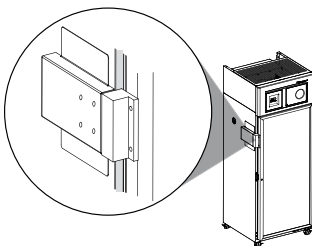
Brackets allow medication dispensing system locking devices to be securely installed onto Follett upright refrigerators and freezers.

- Clearance required for lock box
 - Pyxis – 2.50" (6.35 cm) on handle side
 - Omniceil – 4.00 (10.16 cm)
 - medDISPENSE – 4.00" (10.16 cm)
- Shipping dimensions
 - Pyxis – 11" x 9" x 7" (27.9 x 22.9 x 17.8 cm)
 - Omniceil – 19" x 11" x 8" (48.3 x 27.9 x 20.3 cm)
 - medDISPENSE – 16" x 13" x 7" (40.6 x 33.0 x 17.8 cm)
- Shipping weight
 - Pyxis – 3 lb (1 kg)
 - Omniceil – 7 lb (3 kg)
 - medDISPENSE – 7 lb (3 kg)

Item# 00966432 – Omnicell®



Item# 00978296 – medDISPENSE®



Item# 00959296

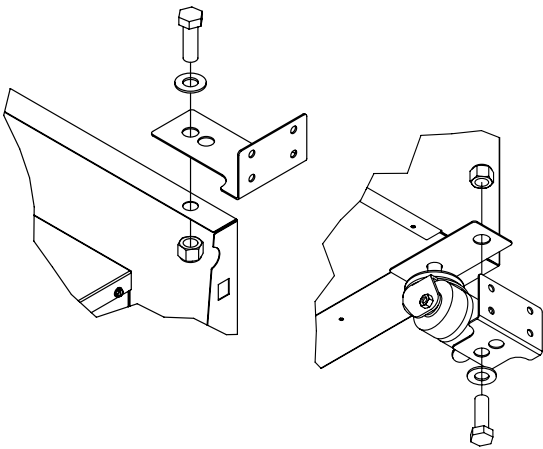


Glycerine

Solution, used as a buffering agent, to stabilize temperature probe reading for the most accurate temperature display.

- 16 oz bottle
- Shipping dimensions – 11.00" x 9.00" x 7.00" (27.9 cm x 22.9 cm x 17.8 cm)
- Shipping weight – 2 lb (0.9 kg)

Item# 00927194

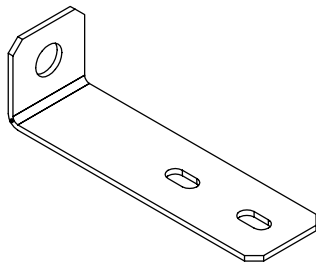


Seismic anchoring kits for REF/FZR20/25/45

Designed to secure all upright refrigerators and freezers (except REF12 models) to the wall.

- Includes mounting plate, metal brackets and hardware
- Certificate contains specific information to assure compliance with 2013 CBC and 2016 CBC
- Shipping dimensions – 11.00" x 9.00" x 7.00" (27.9 cm x 22.9 cm x 17.8 cm)
- Shipping weight – 3 lb (2 kg)

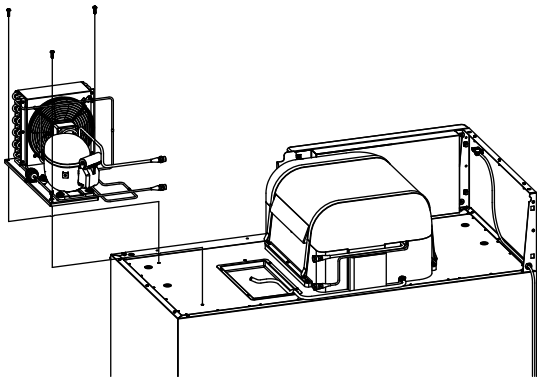
Item# 01319441



Seismic anchoring kits for REF12

Designed to secure REF12 upright refrigerators to the wall.

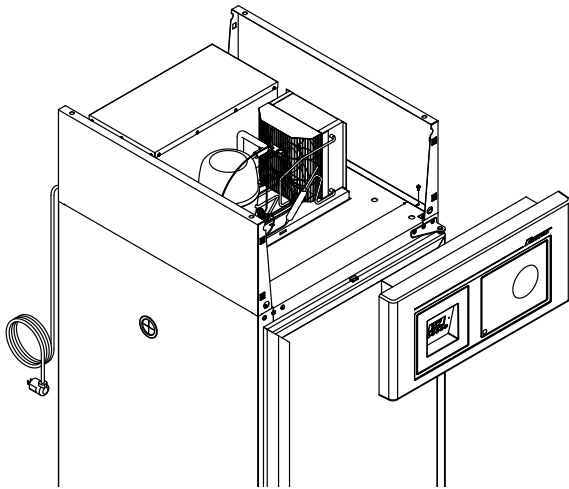
Item# 01147891



Replacement high-side refrigeration module (complete condensing unit) for REF45

- Shipping dimensions – 30.00" x 33.00" x 33.00" (76.2 cm x 83.8 cm x 83.8 cm)
- Shipping weight – 77 lb (35 kg)

Item# 00939785 – Refrigerator
Item# 01007004 – Freezer

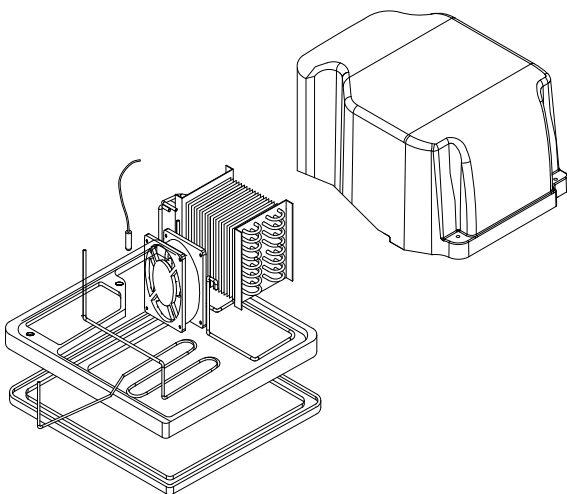


Replacement CRS (complete refrigeration system) module for REF20/25 and FZR20/25

Allows refrigeration system to be removed and replaced as a single unit.

- 2 years parts, 5 years compressor parts, 2 years labor warranty
- Shipping dimensions
 - Refrigerator – 31.00" x 27.00" x 23.00" (78.7 cm x 68.6 cm x 58.4 cm)
 - Freezer – 31.00" x 27.00" x 19.00" (78.7 cm x 68.6 cm x 48.3 cm)
- Shipping weight
 - Refrigerator – 105 lb (48 kg)
 - Freezer – 125 lb (57 kg)

Item# 01312529



Replacement CRS (complete refrigeration system) module for REF12

Allows refrigeration system to be removed and replaced as a single unit.

- Shipping weight – 88 lb (40 kg)

Upright refrigerator and freezer accessories

Omniceil is a registered trademark of Omnicell, Inc. in the United States.
Pyxis is a registered trademark of CareFusion in the United States and other countries.
medDISPENSE is a registered trademark of InterMetro Industries Corp. in the United States and other countries.
FOLLETT HEALTHCARE is a trademark of Follett Products LLC.
FOLLETT is a registered trademark of Follett Products LLC, registered in the US.
Follett reserves the right to change specifications at any time without obligation.