

Shown with ice and water tower

EVU155N series – Ice and water		
Ice tower location	Valve type	Item number
left	lever	EVU155N0LL
	push-button	EVU155N0LP
right	lever	EVU155N0RL
	push-button	EVU155N0RP
EVU155N series – Ice-only		
left	lever	EVU155NWLL
	push-button	EVU155NWLP
right	lever	EVU155NWRL
	push-button	EVU155NWRP

Features

68 kg (150 lb) undercounter ice storage

Upscale drink station

- low profile with ice storage under the counter
- auto-fill with an ice machine out of view using RIDE® remote ice delivery equipment
- ideal for island configurations
- fits into ADA compliant 86.3 cm (34.00") counters

Left or right side ice dispense chute

Durable, full stainless exterior

Pre-configured for Follett® RIDE model Chewblet® ice machines

- connect up to two Follett ice machines
- user-preferred, chewable compressed nugget ice
- slow melting, maintains drink temperature
- accepts Chewblet ice or Micro Chewblet™ ice

Faster, safer manual loading of ice at waist height

- safe, easy waist-height loading front or rear
- eliminates overhead lifting of buckets or loading from ladders
- allows quick reloading during serving period with minimal disruption
- may be manually loaded with cube ice up to 2.54 cm (1.00") square or Chewblet ice

Accessories

15.24 cm (6.00") stainless steel leg kit (set of 4) adjustable to 22.86 cm (9.00") (item# AFLEGKT155)

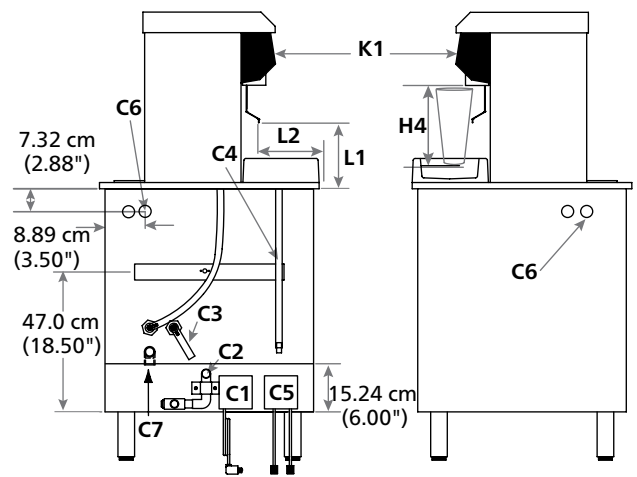
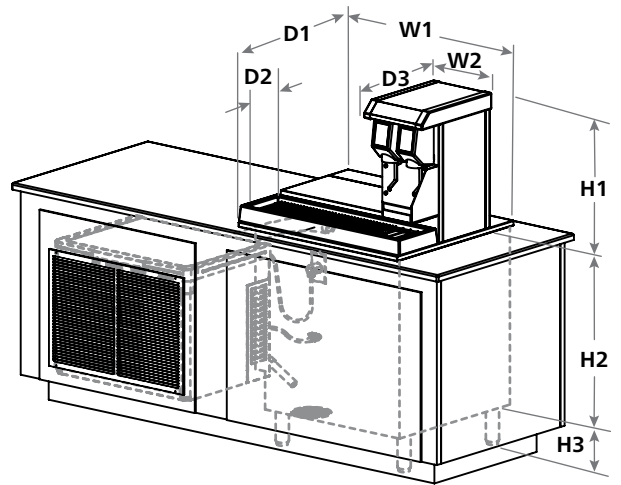
Specification

Ice storage capacity	68 kg (150 lb)
W1 Width	79.4 cm (31.25")
W2	
Width, tower - ice and water	29.8 cm (11.75")
Width, tower - ice-only	17.0 cm (6.69")
D1 Depth	69.5 cm (27.38")
D2 Depth, drain pan interior	18.74 cm (7.38")
D3 Depth, tower	41.9 cm (16.50")
H1 Height, upper section	55.9 cm (22.00")
H2 Height, lower section	70.8 cm (27.88")
H3 Height, leg	adjustable 15.24 cm - 22.86 cm (6.00" - 9.00")
H4 Ice dispense height clearance	25.4 cm (10.00")
K1 Ice dispense chute	utility connections are on opposite side as ice dispense chute
L1 Countertop to lever	20.96 cm (8.25")
L2 Front of dispenser to lever	19.05 cm (7.50")
Installation clearance	129.5 cm (51.00") above counter for drop-in installation, 3.18 cm (1.25") maximum counter thickness
Service clearance	30.5 cm (12.00") minimum on side opposite of ice chute, 91.4 cm (36.00") minimum above counter for auger removal
NOTE: For additional information refer to form# 3105.	
C1 Electrical	2 amps, 2 m (6.5') cord only provided with each dispenser. Separate circuits and disconnects required for each dispenser.
230 V/50/1	
C2 Drain - ice storage	3/4" PVC slip joint
C3 Water inlet	3/8" tubing
C4 Drain - drain pan	3/4" PVC hose
C5 Ice machine electrical connection	Pre-wired bin signal junction box with twist lock connector(s). Standard length is 6.1 m (20').
C6 Ice machine ice transport tube connection	two ice transport tube entry holes on each side
C7 Air break	do not connect to drain system
Approximate net weight	91 kg (201 lb)
Approximate shipping weight	105 kg (232 lb)
NOTE: For indoor use only	

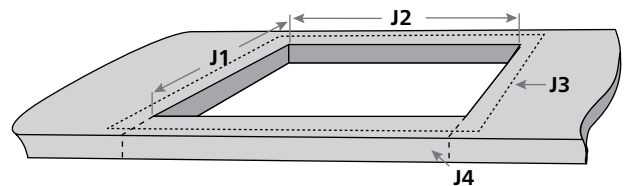
SHORT FORM SPECIFICATION:

Ice-only or ice and water to be Follett model _____. Dispenser to store up to 68 kg (150 lb) of ice and allow loading of ice at waist level from front or rear. Ice and water tower and top to be of stainless steel with plastic trim. Full-length drain pan to be one-piece molded polyethylene. To include 15.24 cm - 22.86 cm (6.00" - 9.00") adjustable legs for dispenser support. Storage area to be insulated with CARB compliant non-HFC foam. Dispenser to be pre-configured to accept up to two RIDE model ice machines, sold separately. 2.4 m (8') cord and plug provided. Dispenser CE listed.

Dimensional drawing



Counter cutout detail



J1 Cutout depth	66.68 cm (26.25") ± .0317 cm (.0125")
J2 Cutout width	77.152 cm (30.375") ± .0317 cm (.0125")
J3 Flat surface required	79.375 cm (31.25") W x 71.12 cm (28.00") D
J4 Optional - counter front may be removed for slide-in installation	

MICRO CHEWBLET and VISION are trademarks of Follett Products, LLC. CHEWBLET, FOLLETT and RIDE are registered trademarks of Follett Products, LLC, registered in the US. Follett reserves the right to change specifications at any time without obligation. Certifications may vary depending on country of origin.

EVU155N series

