

# Single door Ice•Device™

low-profile with Totes™ ice carrier



DEV1010SG-48-LP shown

---

## Features

Designed with speed, safety and sanitation in mind

- elevated ice storage bin uses gravity to dispense ice through a chute seven times faster than scooping
- dispensing into a Totes ice carrier eliminates scooping by hand to help prevent cross-contamination
- industry exclusive SmartGATE® ice shield controls the flow of ice to reduce spill and limit contact with ice
- locks in three positions and returns easily to full down position

Fresher ice

- first ice in is first ice out

Ice compatibility

- compatible with most non-flake ice types, including customer preferred Chewblet® ice and cube ice

Durable, user-friendly construction

- full stainless bin exterior and 10.00" (2.54 cm) flanged legs
- corrosion-resistant poly bin liner and ABS top
- heavy duty "stay-open" PowerHinge™ door hinge – easy one hand open and close without door catches

Rugged poly Totes ice carrier

- limits lifted weight to 25 lb (11 kg) for safe ice delivery
- rectangular design facilitates pouring into beverage dispensers, wait stations and ice wells

Easy installation

- comes with ice access door assembly attached to body of bin
- only 31.00" (78.7 cm) wide to fit through standard door openings by removing front door assembly (4 screws, no sealant)
- drain elbow with 1.00" (2.54 cm) barb fitting provided

Warranty

- parts and labor for corrosion repair for useful life of product
- 5 years parts and labor on all other integral components
- 3rd party ice machines must be installed and operated in accordance with the manufacturer's instructions
- visit [follettice.com](http://follettice.com) for complete warranty details

Includes:

- custom-cut non-corroding ABS top
- optional Flexi-Top™ ice bin top system for 48.00" (121.9 cm) and 60.00" (152.4 cm) wide models – allows many ice machines to fit one top
- single Totes ice carrier
- 82 oz (2.4 L) plastic ice scoop
- paddle and rake tool set with hanging bracket

---

## Accessories

Additional accessories (refer to form# 3435)

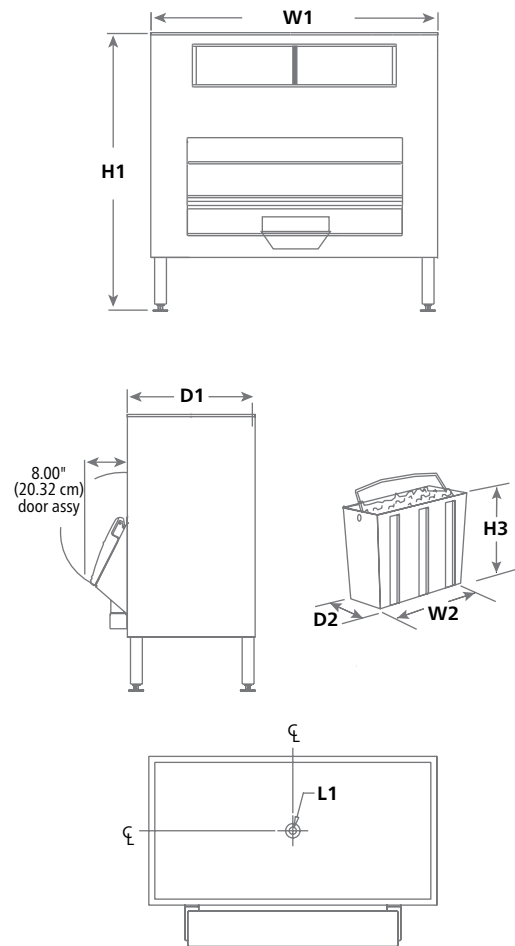
## Specification

Maximum bin capacity <sup>1</sup>	see model table below
<b>W1</b> Bin width	see model table below
<b>D1</b> Bin depth	31.00" (78.7 cm)
Bin depth with lower door assembly <sup>2</sup>	39.00" (99.1 cm)
Bin depth with door fully extended	49.50" (125.7 cm)
<b>H1</b> Bin height with legs <sup>3</sup>	see model table below
Required door access <sup>4</sup>	32.00" (81.3 cm)
<b>W2</b> Tote width	39.7 cm (15.62")
<b>D2</b> Tote depth	18.08 cm (7.12")
<b>H2</b> Tote height	38.1 cm (15.00")
<b>L1</b> Drain <sup>5</sup>	1.00" FPT, center of bin bottom (drain elbow supplied)
Dispense rate	up to 5 lb (2.3 kg) per second
Ice compatibility	cube ice and Chewblet ice
Approximate ship weight	see model table below

NOTE: For indoor use only

SHORT FORM SPECIFICATION: Ice•Devlce system to be Follett model \_\_\_\_\_ elevated bin, 10.00" (25.4 cm) flanged legs and Totes ice carrier with front ice chute and industry-exclusive SmartGATE ice shield. Bin to hold approximately \_\_\_\_\_ lb (kg) of ice. Exterior finish of bin to be full stainless front, sides, back and bottom. Bin liner to have non-corroding polyethylene walls and stainless steel bottom. Bin insulation to be CARB compliant non-HFC foam, bonded to shell and liner for added structural strength. Bin top to be ABS and custom-cut for ice machine(s) to be used. Lower door assembly to include non-corroding poly access door, poly lift door with PowerHinge to eliminate gasket and latches, and inner SmartGATE to positively control ice flow into access door area. Entire lower door assembly to be easily removable for installation through narrow doors. Upper inspection window (on all models except DEV500SG-30, DEV860SG-48 and DEV1080SG-30) to be double-wall poly to increase durability and minimize ice melt and condensation. Totes to be of one-piece, molded poly with swivel handle. All models to be equipped 82 oz (2.4 L) plastic ice scoop and paddle and rake tool set. NSF listed.

## Dimensional drawing



FLEXI-TOP, ICE•DEVlCE, POWERHINGE, SMARTCART and TOTES are trademarks of Follett Products, LLC. CHEWBLET, FOLLETT and SMARTGATE are registered trademarks of Follett Products, LLC, registered in the US. Follett reserves the right to change specifications at any time without obligation. Certifications may vary depending on country of origin.

Model	Maximum bin capacity lb (kg) <sup>1</sup>	Cubic volume cu ft (m)	Width - <b>W1</b> in (cm)	Height with legs <sup>3</sup> - <b>H1</b> in (cm)	Approximate ship weight lb (kg)
DEV500SG-30-LP <sup>6</sup>	460 (209)	14.80 (0.41)	30.00 (76.2)	48.75 (123.8)	186 (85)
DEV700SG-30-LP	680 (309)	21.70 (0.61)	30.00 (76.2)	64.25 (163.2)	229 (104)
DEV860SG-48-LP <sup>6</sup>	860 (391)	25.50 (0.72)	48.00 (121.9)	50.25 (127.6)	288 (131)
DEV1010SG-48-LP	1000 (454)	31.90 (0.90)	48.00 (121.9)	60.25 (153.0)	277 (126)
DEV1175SG-48-LP	1185 (538)	37.60 (1.06)	48.00 (121.9)	66.25 (168.3)	319 (145)
DEV1300SG-48-LP	1320 (599)	41.90 (1.19)	48.00 (121.9)	68.75 (174.6)	342 (156)
DEV1160SG-56-LP	1170 (531)	37.30 (1.06)	56.00 (142.2)	60.25 (153.0)	296 (135)
DEV1350SG-56-LP	1360 (617)	43.20 (1.22)	56.00 (142.2)	66.25 (168.3)	353 (161)
DEV1080SG-60-LP <sup>6</sup>	1080 (490)	34.30 (0.97)	60.00 (152.4)	50.25 (127.6)	297 (135)
DEV1325SG-60-LP	1325 (602)	42.00 (1.19)	60.00 (152.4)	60.25 (153.0)	373 (170)
DEV1475SG-60-LP	1490 (676)	47.40 (1.34)	60.00 (152.4)	66.25 (168.3)	356 (162)
DEV1650SG-60-LP	1660 (754)	52.80 (1.50)	60.00 (152.4)	68.75 (174.6)	336 (153)

- Computed on cubic volume of bin. Does not reflect cart capacity or voids that can occur due to pyramiding.
- Lower door assembly easily removed for installation access.
- Special top required for ice machines weighing more than 1000 lb (454 kg). Add 0.5" (1.27 cm) to height. Contact factory.  
**Note:** Not available for model DEV500 and DEV700.
- Required clearance for installation access through doors (may require removal of lower door assembly).  
**Note:** DEV500 and DEV700 require 31.00" (78.7 cm) of clearance.
- Follett recommends installation of a floor drain with grate with all ice storage bins. Consider cart positioning when locating the drain.  
Clearance required to pull cart from below bin — minimum 36.00" (91.4 cm), optimal 40.00" (101.6 cm).
- DEV500SG-30, DEV860SG-48 and DEV1080SG-60 do not have upper inspection window.

## Single door Ice•Devlce, low-profile

