



SensorSAFE not recommended for use with clear containers or for applications in direct sunlight

Symphony Plus™ ice and water dispenser

12 HI series wall mount with Chewblet® ice machine

Features

Narrow, 16.12" (40.9 cm) width

12 lb (5.4 kg) ice storage capacity

Integral air-cooled ice machine with up to 425 lb (193.0 kg) daily production of Chewblet ice

- soft, chewable, compressed nugget ice is preferred over cubes¹ and is ideal for patient care
- Quiet Night™ sleep mode turns off ice machine when idle

Designed with sanitation in mind

- automatic self-flushing of ice machine removes impurities
- drain cup provides internal air gap for added protection of food zone components from drain line contaminants
- Agion® silver-based antimicrobial provides protection of key ice and water contact components²
- SensorSAFE™ infrared ice dispense

Dependable design, easy to service and clean

- cleaning and sanitizing of entire machine takes only 1 hour
- LED control board provides at-a-glance machine status
- panels are easily removed for accessibility to all components
- ice machine parts are common across all Symphony Plus dispensers
- stainless steel evaporator and auger deliver long life

Environmentally responsible

- meets Consortium for Energy Efficiency Tier 2 specifications
- R404a refrigerant has zero ozone depletion potential
- continuous ice making process uses less electricity and water

Durable, attractive dispenser

- stainless steel cabinet with accent trim
- poly drain pan, grille and dispenser lid are corrosion-resistant

Easy installation

- comes fully assembled and installs with three easy connections – electric, water and drain

Warranty

- 3 years parts and labor, 5 years compressor parts

Accessories

- Pressurized water sanitizing kits (refer to form# 1068)
- SafeCLEAN Plus™ ice machine cleaner
 - 1 x 8 oz (237 ml) bottle (item# 01147826)
 - 6 x 8 oz (237 ml) bottles (item# 01149954)
 - Carton of 24 x 8 oz (237 ml) bottles (item# 01149962)
- Nu-Calgon® IMS-III sanitizer, 16 oz (0.5 L) bottle (item# 00979674)
- Water filters (refer to form# 1058 and 8320)
- Additional Symphony Plus accessories (refer to price list)

| Model configurations | | | |
|-----------------------|------------|---------------------|-----------------------------------|
| Ice storage capacity | Dispense | Ice machine cooling | Item number |
| 12 lb (5.4 kg) | SensorSAFE | air | 12HI425A-S0-00 |
| | | | 12HI425A-S0-DP¹ |

¹ Unit configured with drain pan.



Shown without drain pan

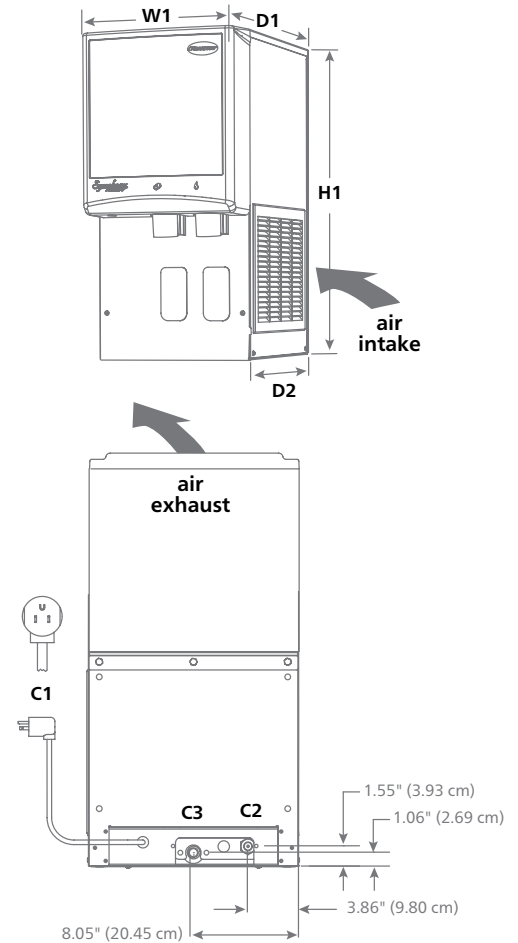
| Ice production | | |
|---|--|--------------------|
| Temperatures air/water | 70/50 F (21/10 C) | 90/70 F (32/21 C) |
| Air-cooled | 425 lb (193.0 kg) | 325 lb (147.6 kg) |
| Energy consumption per 100 lb (45.4 kg) ice | N/A | 6.0 kWh air-cooled |
| Water consumption | 12.0 gal (45.4 L) of potable water per 100 lb (45.4 kg) of ice | |

Specification

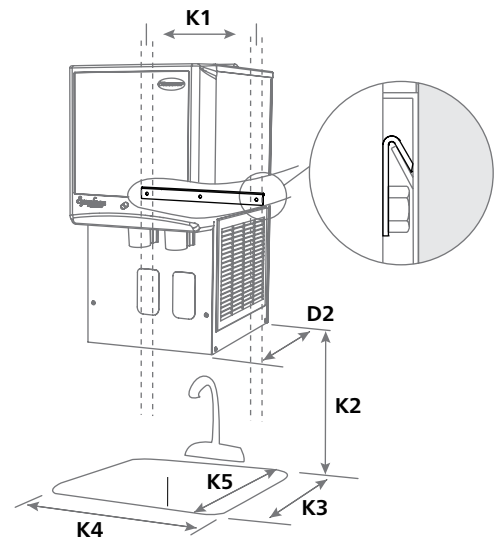
| | |
|---|---|
| Ice storage capacity | 12 lb (5.4 kg) |
| W1 Width | 16.12" (40.9 cm) |
| D1 Depth, upper cover | 23.50" (59.7 cm) |
| D2 Depth, bottom | 18.50" (47.0 cm) |
| H1 Height | 32.50" (82.6 cm) |
| Ventilation clearance | 6.00" (15.24 cm) top and right side |
| Service clearance | 12.00" (30.5 cm) top |
| C1 115 V/60/1 electrical | 11 amps, 0.8 kW 8.5' (2.6 m) cord w/ NEMA 5-15 90° hospital-grade plug |
| C2 Potable water inlet | 3/8" FPT |
| C3 Drain | 3/4" MPT |
| Utility connection location | through back |
| K1 Minimum span – wall bracing required in most applications | 13.00" (33.0 cm) on center mounting for securing NOTE: Wall mount bracket standard |
| K2 Maximum height from sink | 18.00" (45.7 cm) |
| K3 Minimum distance from wall to front of sink | 30.00" (76.2 cm) |
| K4 Minimum sink width | 16.00" (40.6 cm) centered on dispenser, 11.50" (29.2 cm) centered on chutes |
| K5 Minimum sink depth | 16.00" (40.6 cm) |
| Air temperature | 50 -100 F (10 - 38 C) |
| Water temperature | 45 - 90 F (7 - 32 C) |
| Water pressure | 10 - 70 psi (69 - 483 kpa) |
| Heat rejection | 5000 BTU/hr |
| Approximate net weight | 149 lb (68 kg) |
| Approximate ship weight | 184 lb (84 kg) |
| NOTE: For indoor use only | |

SHORT FORM SPECIFICATION: (Choose one) ___ Ice and water or ___ ice-only dispenser to be Follett® automatic load in wall mount configuration, with 12 lb (5.4 kg) of storage and separate ice and water chutes. Environmentally responsible R404a air-cooled ice machine to have 24 hour production capacity of approximately 425 lb (193.0 kg) of Chewblet compressed nugget ice at water temp. of 70 F (21 C); air temp. of 90 F (32 C). Ice machine equipped with automatic self-flushing and Quiet Night sleep mode. Dispenser to have automatic bin level control to start and stop ice machine. Storage area insulated with CARB compliant non-HFC foam. 8.5' (2.6 m) cord and NEMA 5-15 90° hospital-grade plug provided. NSF and ETL listed.

Dimensional drawing



Wall mount detail



¹ Independent third party studies. Contact Follett for details.

² Disclaimer: Antimicrobial protection is limited to the treated components and does not treat water or ice.

Agion is a registered trademark of Sciesent LLC.

Calgon is a licensed tradename distributed by Nu-Calgon, in the United States.

SYMPHONY PLUS, SENSORSAFE, SAFECLEAN PLUS and QUIET NIGHT are trademarks of Follett Products, LLC.

CHEWBLET and FOLLETT are registered trademarks of Follett Products, LLC, registered in the US.

Follett reserves the right to change specifications at any time without obligation. Certifications may vary depending on country of origin.

12 HI series wall mount