

Maestro Plus™ ice machine bin

414 series with Chewblet® or flake ice



Features

Up to 425 lb (193 kg) of production and 75 lb (34 kg) of storage capacity. Perfect for space limited facilities. Less than 24.00" (61.0 cm) wide, the Maestro Plus ice machine bin will provide the capacity you need in a small footprint.

- Undercounter application without the legs: 33.00" (83.8 cm) tall unit will fit under standard counters. Teflon glides allow it to slide easily into place.
- Freestanding: 39.00" (99.1 cm) tall with legs

Consumer-preferred Chewblet ice (UM models)

- preferred over cubes by more than 2:1
- easy to chew
- slow melting, maintains drink temperature and quality, comparable to cubes
- higher displacement than cube ice

Flake ice (UF models)

- high surface area chills quickly, maintains products at desired temperature
- molds well, securely holds containers without slipping
- shields products against damage in displays

Efficient dependable design

- stainless steel evaporator, auger and top bearing provide durability
- oversized, heavy duty, tapered roller bearing ensures long low-maintenance life
- semi-automatic cleaning cycle reduces maintenance costs
- regular flushing improves ice quality and reduces scale

Environmentally responsible

- R290 refrigerant has low environmental impact and nominal global warming potential
- energy-efficient, no costly defrost cycles
- 25% less energy than comparable capacity cube machines
- 40% less water than comparable capacity cube machines

Designed for easy installation and service

- front ventilated - no side clearance required
- rear utility access allows for rear electrical and plumbing connection with no rear clearance required
- bin and shroud may be removed for service and maintenance

Warranty

- 3 years parts and labor, 5 years compressor parts

Certifications



Model configurations			
Ice Production	Ice type	V/Hz/Ph	Item number
425 lb (193 kg)	Chewblet	115/60/1	UMD414A80†
	Chewblet	230/50/1	UME414A80¹
	Flake	115/60/1	UFD414A80
	Flake	230/50/1	UFE414A80¹

† ENERGY STAR® certified

¹ Models not for use in the United States. Models ship EXW Incoterms 2010 – Wislina, Poland.



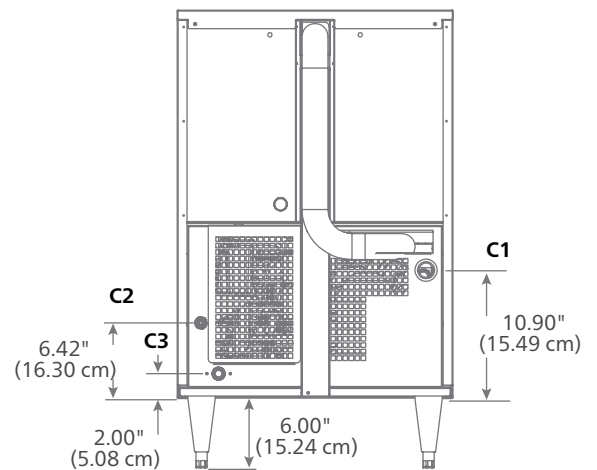
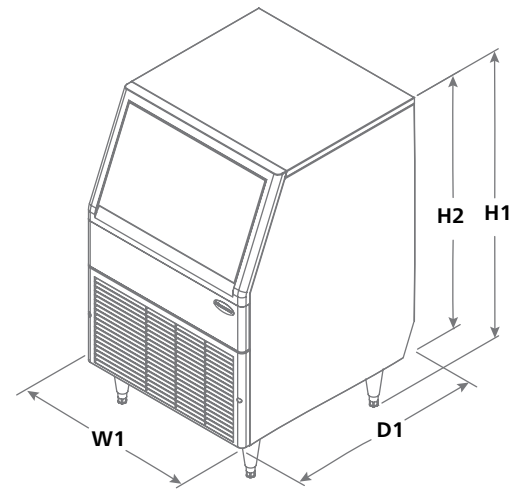
Specification

Ice storage capacity	75 lb (34 kg)
W1 Width	23.50" (59.7 cm)
D1 Depth	26.00" (66.0 cm)
H1 Height with legs	39.00" (99.1 cm)
H2 Height without legs	33.00" (83.8 cm)
Service and ventilation clearance	front ventilated - no side, top or back clearance required
Utility connection location	back
C1 Electrical	115 V/60/1 – 8 amps, 7' (2 m) cord, NEMA 5-15 plug 230 V/50/1 – 4 amps, cord only
C2 Potable water inlet	3/8" push in
C3 Drain	3/4" MPT when unit is installed without legs, floor drain must be within 6' (1.8 m)
Air temperature	50 - 100 F (10 - 38 C)
Water temperature	40 - 90 F (4 - 32 C)
Potable water pressure	10 - 70 psi (69 - 483 kpa) 0.7 Bar - 5 Bar max
Ice production at 70 F (21 C) air, 50 F (10 C) water	425 lb (193 kg)
Ice production at 90 F (32 C) air, 70 F (21 C) water	325 lb (147 kg)
Energy consumption 90 F (32 C) air, 70 F (21 C) water	5.4 kWh
Heat rejection	5,000 BTU/hr (1260 Kcal/hr)
Water consumption	12.0 gal (45.4 L) of potable water per 100 lb (45.4 kg) of ice
Refrigerant	R290
Refrigerant charge	115 V models – 100 grams (3.52 oz) 230 V models – 99 grams (3.49 oz)
Approximate ship weight	194 lb (88 kg)

NOTE: For indoor use only. Designed for commercial use. Follett is not able to provide in-house services for residential installations.

SHORT FORM SPECIFICATION: Follett Maestro Plus ice machine bin model _____, ice machine to be air-cooled and capable of producing approximately 425 lb (193 kg) per day of _____ Chewblet ice or _____ flake ice at air temperature of 70 F (21 C), water temperature of 50 F (10 C). Ice storage capacity of up to 75 lb (34 kg). Ice machine to have stainless steel evaporator, auger, top bearings, heavy duty tapered roller bearings, and low water safety circuit. NSF and ETL listed.

Dimensional drawing



ENERGY STAR and the ENERGY STAR mark are registered trademarks owned by the U.S. Environmental Protection Agency.
MAESTRO PLUS is a trademark of Follett Products, LLC.
CHEWBLET and FOLLETT are registered trademarks of Follett Products, LLC, registered in the US.
Follett reserves the right to change specifications at any time without obligation. Certifications may vary depending on country of origin.

Ice machine bin