



## Welcome to Follett

Follett equipment enjoys a well-deserved reputation for excellent performance, long-term reliability and outstanding after-the-sale support. To ensure that this equipment delivers that same degree of service, review this guide carefully before you begin your installation.

Should you need technical help, please call our Technical Service group at (877) 612-5086 or (610) 252-7301.

Please have your model number, serial number and complete and detailed explanation of the problem when contacting Technical Service.

## Getting Started

After uncrating and removing all packing material, inspect the equipment for concealed shipping damage. All freight is to be inspected upon delivery. If visible signs of damage exist, please refuse delivery or sign your delivery receipt "damaged." Follett Customer Service must be notified within 48 hours. Wherever possible, please include detailed photos of the damage with the original packaging so that we may start the freight claim process.

## Preliminary Information

### Caution Flammable Refrigerant



Caution: Risk of fire.

#### **DANGER**

- Risk of fire or explosion. Flammable refrigerant used.

**Before attempting to install or service this product, all safety precautions must be followed.**

**CAUTION!** – Risk of fire or explosion. Dispose of properly in accordance with federal or local regulations. Flammable refrigerant used.

**CAUTION!** – Risk of fire or explosion due to puncture of refrigerant tubing; follow handling instructions carefully. Flammable refrigerant used.

**CAUTION!** – Handling, moving, and operating the refrigerator to avoid either damaging the refrigerant tubing or increasing the risk of a leak.

#### **CAUTION!**

- If the equipment is not transported vertically, a period of at least 24 hours must be allowed before starting.

The equipment must be transported and handled exclusively in upright position. This is required to avoid contamination of the refrigerant with compressor oil. Contamination could result in valve and heat exchanger coil failure, problems starting the electric motor, or the risk of gas leak. The manufacturer is not responsible for any problems due to transport executed in conditions other than those specified.

The equipment is secured to a wooden pallet base, wrapped in a plastic film and packaged into a three waves carton box. The equipment must be handled using a fork lift truck or a pallet truck with suitable forks (fork length at least equal to 2/3 length of unit).

### General Information

- To avoid temperature rise in the cabinet and/or contents, care should be taken to ensure that the door is opened only for brief periods.
- The unit is intended for installation in a dry, ventilated, indoor space where ambient temperature does not exceed 89.6 F (32 C).
- The unit shall not be exposed to direct sunlight and shall not be near a heat source such as a heater, stove, or other heat dissipating equipment (sterilizer, autoclave, etc.).
- The unit is supplied with two keys.

### Refrigeration System

The REFADV5 refrigeration system is designed to give many years of trouble-free service. Except for routine cleaning of the air-cooled condenser and related parts, the refrigeration system requires no service or maintenance. The system uses a capillary tube and is critically charged.

## Specifications

Capacity	5 cu. ft.
Carton Dimension (W x D x H)	26.7" x 28" x 34.6" (67.7 cm x 71.0 cm x 88.0 cm)
External Dimension	23.3" x 25.4" x 32" (59.2 cm x 64.6 cm x 81.1 cm)
Internal Dimension	18.8" x 20.1" x 25.2" (47.8 cm x 51.0 cm x 64.1 cm)
Maximum Shelf Weight	34 lbs (15.4 kg)
Refrigerator Temperature	35.6 F to 46.4 F (2 C–8 C)
Gross Weight	90 lbs (40.8 kg)
Net Weight	81.8 lbs (37.1 kg)

## Electrical Specifications

- 115 V, 60 Hz, 1 phase
- Nominal current: 1.2A
- Minimum circuit ampacity: 15A
- Connect to dedicated circuit, fuse or breaker
- **Maximum size of branch circuit overcurrent device: 15A breaker**

## Refrigeration Specifications



### **WARNING!**

*Do not damage the refrigerant circuit. Refrigerant can cause personal injury and/or damage refrigerator.*

Refrigerant	Charge Size	Maximum Design Pressures (psig)	
		High Side	Low Side
R600A	1 oz (28 g)	106	55

## Installation Specifications

- Ambient temperature range: 60.8 F to 89.6 F (16 C to 32 C).
- The front louvered panel must be kept free of any cabinet trim or obstructions to ensure proper ventilation of the refrigeration system.
- Refrigerator must be level.



### **CAUTION!**

- *Equipment must be wired according to local and national electrical codes.*
- *Always disconnect power before servicing refrigerator.*

## Installation

### Uncrate REFADV5-SD

1. Remove packing material.
2. Use gloves when handling the carton or the wooden base to protect the hands from splinters.
3. Carefully slide the cabinet off the skid.
4. Remove the protective PVC film from the external surfaces of the unit.
5. Place unit near final installation location.

### Adjust Levelers

1. The REFADV5-SD must be installed on a level surface and/or made level using the four levelers on the bottom of the unit.
2. Adjust levelers as needed to level REFADV5-SD in both directions.

### Install Glycerine Solution in Product Simulation Bottle

1. Remove the bottle from the bracket located in the upper left side of the refrigerator.
2. Remove the top and fill the bottle with a 50/50 solution of glycerine and water.
3. Replace the top (and probe).
4. Reinsert bottle into the bracket.

## Controller



### Switching the Device On/Off

Press and hold button #1 for more than 3 seconds.

### Adjusting The Set Point

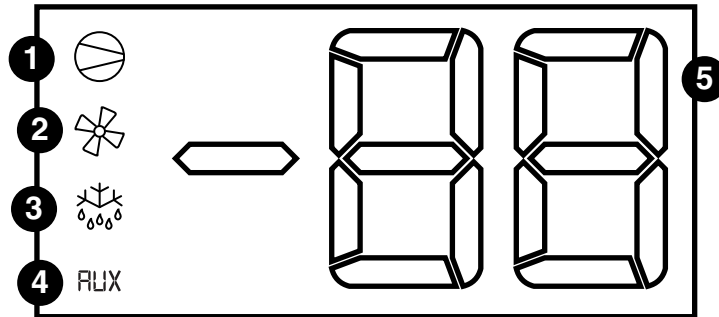
Button	Action when button is pressed
1	More than 3 seconds, switch ON/OFF.
2	Single press: mutes the audible alarm More than 1 second, displays/sets the set point
3	More than 3 seconds activates/deactivates the defrost

### The set point may be adjusted to operate between 2 C and 8 C

1. Press button #2 (Set) for 1 second, the set point will start flashing after a few moments.
2. Increase or decrease the value using buttons #1 or #3 (up/down arrows)
3. Press button #2 (Set) to confirm new value.

## High/Low Temperature Alarm

The temperature alarms are factory set and operate relative to the set point.



Index	Function	Normal Operation			Startup
		ON	OFF	Blink	
1	Compressor	on	off	request	on
2	Fan	on	off	request	on
3	Defrost	on	off	request	on
4	AUX	output on	output off	—	on
5	Digit	2 digit LED display with sign (-99 to 99) and decimal point			

## Operation

The temperature controller and probe indicate when the refrigeration system is required to turn on and off.

The refrigeration system removes heat from the cabinet interior and rejects it to the surrounding room air. When the cabinet interior temperature rises above the controller cut-in temperature, the controller turns the refrigeration system on.

## Defrosting

Undercounter refrigerators do not require manual defrosting. The unit cooler defrosts automatically when the condensing unit is in the OFF cycle. The condensate drains out of the unit to the condensate tray mounted on top of the compressor.

# Cleaning

## Weekly

**Interior:** Using a sponge or soft cloth, clean unit with a non-abrasive, non-chlorinated, all-purpose detergent.

**Exterior:** Wipe exterior with a soft cloth.

## Semi-Annual Cleaning

Cleaning of the condenser at the rear of the unit is recommended at least twice a year. In the case of use in particularly dusty environments, this should be done more frequently (every 3 months).

This should be done by facility staff: cleaning can be done using soft bristle brushes and vacuum cleaners, or compressed air, taking care not to bend the condenser's fins. Protective gloves, a dust mask, and protective goggles should be worn.

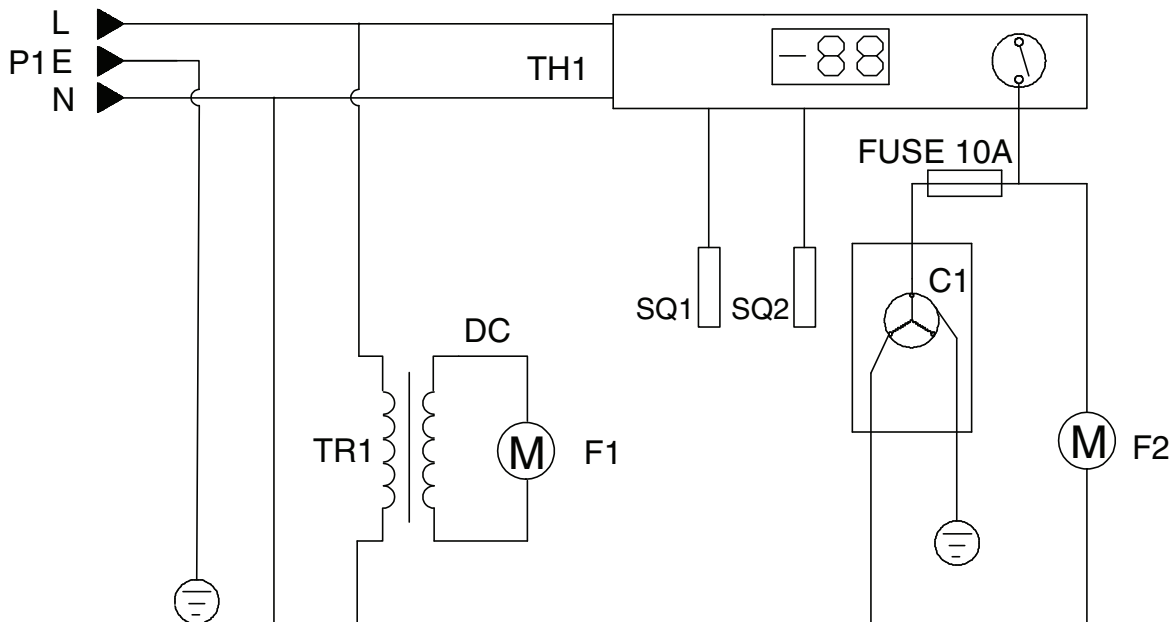
1. Disconnect power to unit.
2. Remove rear panel.
3. Remove drain pan.
4. Clean drain pan with a non-abrasive, non-chlorinated all-purpose detergent.
5. Reinstall drain pan.
6. Use a vacuum cleaner with brush attachment to clean condenser and compressor motor and related parts.
7. Reinstall rear panel.

## Defrosting

The evaporator is self-defrosting. If a layer of ice/frost does form, power off the unit and leave the door slightly open, and allow refrigerator to defrost naturally.

**Note: DO NOT use objects to manually chip the ice.**

## Circuit Diagram



P1 Power Plug  
TH1 Thermostat  
C1 Compressor  
TR1 Fan Transformers

F1 Evaporator Fan  
F2 Condenser Fan  
SQ1 Control Probe  
SQ2 Display Probe

## Troubleshooting

If your refrigerator is not working properly:

- Check the electrical outlet for power, and that the plug is properly inserted.
- Check to see if the circuit breaker is tripped or the fuse is blown.
- Check that the condenser coil is clean and verify proper air flow.

If your refrigerator is making noise:

- Check that the unit is level and on a flat surface.

If the compressor turns on and off frequently:

- Check that the room temperature does not exceed the maximum allowable ambient temperature.
- Check that the door is closed completely.
- Check that the door gasket is sealing well.
- Check that there is sufficient clearance/ventilation around the unit.
- Check that the temperature is set properly.
- The cycling frequency will reduce when all product reaches the set temperature.

The following is not a malfunction:

- It is normal to hear gurgling sounds caused by the flow of refrigerant during each cooling cycle.

**If problems persist after following this basic troubleshooting guide, call Follett's technical service group at (877) 612-5086.**

## Warranty Registration and Equipment Evaluation

Thank you for purchasing Follett® equipment. We hope you find that our equipment meets or exceeds your expectations, as our goal is to deliver high value products and services that earn your complete satisfaction!

Please review the enclosed installation and operations manual. It is important that the installation be performed to factory specifications, so your equipment operates to its maximum efficiency.

Follett Products, LLC will not be liable for any consequential damages, expenses, connecting or disconnecting charges or any losses resulting from a defect of the machine.

### Warranty

- 1 year parts and labor

FOLLETT, FOLLETT ADVANTAGE and FOLLETT HEALTHCARE are registered trademarks of Follett Products, LLC, registered in the US.



801 Church Lane • Easton, PA 18040, USA  
Toll free (877) 612-5086 • +1 (610) 252-7301  
[www.folletthealthcare.com](http://www.folletthealthcare.com)

01478106R02  
© Follet Products, LLC 10/25