



Horizon Elite™

Marine 1412 series Chewblet® ice machine

Features

Low life cycle cost

- uses up to 35% less water than cube ice machines
- requires no preventive maintenance other than periodic cleaning and sanitizing
- robust operation in all commercial water conditions

High performance Horizon Elite ice machines

- automatically transport ice through a tube with RIDE® technology from up to 75' (22.9 m) away
- improved sanitation, aesthetics, serviceability

Consumer-preferred Chewblet ice

- more reliable dispensing than nugget or pellet ice
- slow melting, maintains drink temperature and quality
- drink performance comparable to cubes
- higher displacement than cube ice

Innovative engineering; unsurpassed reliability

- horizontally positioned evaporator provides maximum heat transfer for high capacity with compact dimensions
- unique auger profile design maximizes ice capacity and reduces loads on gearmotor, bearings and seals
- automatic self-flushing drains away mineral laden water, reduces scale build-up
- easy to read display provides at-a-glance operational status
- semi-automatic cleaning and sanitizing system lowers maintenance cost
- quiet production without noisy harvest cycles

Superior sanitation

- floatless, sealed design inhibits formation of biofilms
- designed to address United States Public Health Service (USPHS) principles

Remote monitoring with Open Kitchen™

- provided in partnership with Powerhouse Dynamics (separate subscription required)
- real-time alerts and notifications
- remote diagnostics to maximize equipment uptime
- connects with equipment across other Middleby brands

Warranty

- 2 years parts only

Certifications (applied to all products unless otherwise noted)



Model configurations			
Production capacity	Condenser	V/Hz/Ph	Item number
up to 1116 lb (507 kg)	water-cooled	208-230/60/1	C1412W

Installation kits (required) ¹			
Description	Ship wt lb (kg)	Item number	
Installation kit for filling countertop ice and beverage dispensers	10 (5)	01564582	
Installation kit for filling Vision™ dispensers	10 (5)	01564632	

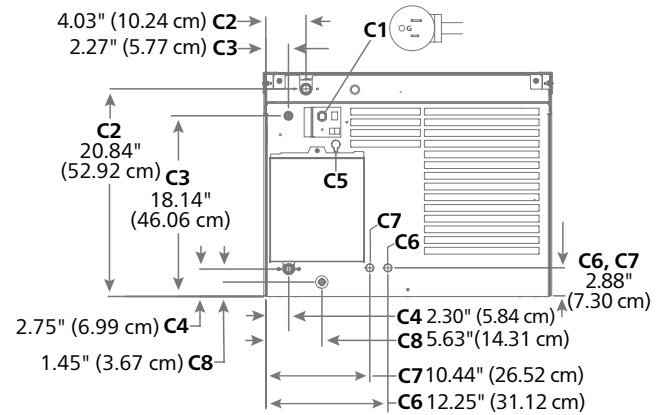
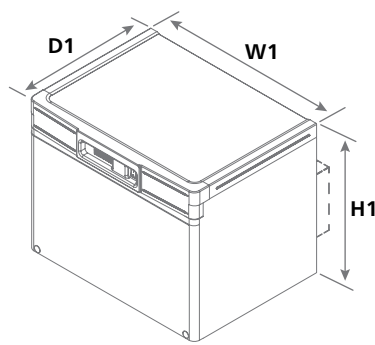
Ice transport tube kits for RIDE installations (required), not needed for top mount applications ¹			
Description	Ship wt lb (kg)	Item number	
For bins, countertop ice and beverage dispensers and drop-in dispensers			
RIDE installations, 10' (3 m)	10 (5)	01560549	
RIDE installations, 35' (10.7 m)	22 (10)	01560556	
RIDE installations, 80' (24.4 m)	60 (27)	01560564	
For Vision dispensers			
RIDE installations, 10' (3 m)	10 (5)	01564657	
RIDE installations, 35' (10.7 m)	22 (10)	01564665	
RIDE installations, 80' (24.4 m)	60 (27)	01564673	

Options and accessories²

- Wall mount bracket (item# 01085455)
- Ice machine stand, height-adjustable (item# 01085463)
- Timer to control one or two ice machines (item# 00967265)
- One-year remote monitoring subscription and hardware for Open Kitchen (item# MDD-1003)
- Water filters (refer to form# 1058)
- SafeCLEAN Plus™ ice machine cleaner (refer to form# 8295)
- Additional accessories (refer to form# 4025)

¹ Certifications do not apply to installation kits or ice transport tube kits.
² Certifications do not apply to options and accessories.

Dimensional drawing



Specification

W1 Width	29.15" (74.0 cm)
D1 Depth	25.15" (63.9 cm)
H1 Height	22.15" (56.3 cm)
Clearance	top, left and right – 1.00" (2.54 cm)
Electrical 208-230/60/1	C1 14 amps, requires dedicated 20 amp circuit, 6' (1.8 m) cord, NEMA 6-20 plug
C2 Ice transport tube	
C3 Potable water inlet	3/8" OD push-in water inlet – internal connection
C4 Drain	3/4" MPT
C5 Ice bin signal cord	for Vision applications only
Condenser connections	C6 – 1/4" FPT condenser inlet, C7 – 1/4" FPT condenser outlet
C8 Auxiliary drain (required)	3/8" OD push-in
Water temperature	45 - 90 F (7 - 32 C)
Potable water pressure	10 - 70 psi (69 - 483 kPa)
Condenser water pressure	30 - 150 psi (207-1034 kPa)
Energy consumption 90 F (32 C) condenser water 70 F (21 C) potable water	3.80 kWh per 100 lb (45.4 kg) ice
Water consumption	12.0 gal (45 L) of potable water per 100 lb (45.4 kg) of ice (per AHRI test standards). 12.3 gal (46.6 L) at low TDS setting.
Water flow requirement	1 gallon per minute
Refrigerant	R449a
Approximate ship weight	275 lb (125 kg)
Approximate net weight	237 lb (108 kg)
NOTE: For indoor use only	

SHORT FORM SPECIFICATION: Follett® Horizon Elite ice machine model _____ capable of producing compressed nugget ice using an efficient, sanitary horizontal evaporator/auger system and delivering ice by a flexible wire reinforced transport tube to _____ ice and water dispenser or _____ ice and beverage dispenser. Slide-out compressor/condenser/evaporator with utility docking station, front-mounted unit status display, evaporator water inlet at harvest end with automatic flush while producing ice, and semi-automatic cleaning and sanitizing system.

Ice production – Horizon Elite C1412W series

Potable water temperature F (C)	Condenser water temperature F (C)				
	50 (10)	60 (16)	70 (21)	80 (27)	90 (32)
50 F (10 C)	1286 (584)	1201 (545)	1116 (507)	1054 (479)	992 (450)
60 F (16 C)	1243 (564)	1165 (529)	1087 (493)	1032 (469)	977 (444)
70 F (21 C)	1200 (545)	1130 (513)	1059 (481)	1010 (459)	962 (437)
80 F (27 C)	1168 (530)	1089 (494)	1010 (459)	958 (435)	905 (411)
90 F (32 C)	1135 (515)	1048 (476)	961 (436)	905 (411)	849 (385)

Open Kitchen is a trademark of Powerhouse Dynamics.
HORIZON ELITE, SAFECLEAN PLUS, SANISPONGE and VISION are trademarks of Follett Products, LLC.
CHEWBLET, FOLLETT and RIDE are registered trademarks of Follett Products, LLC, registered in the US.
Follett reserves the right to change specifications at any time without obligation. Certifications may vary depending on country of origin.